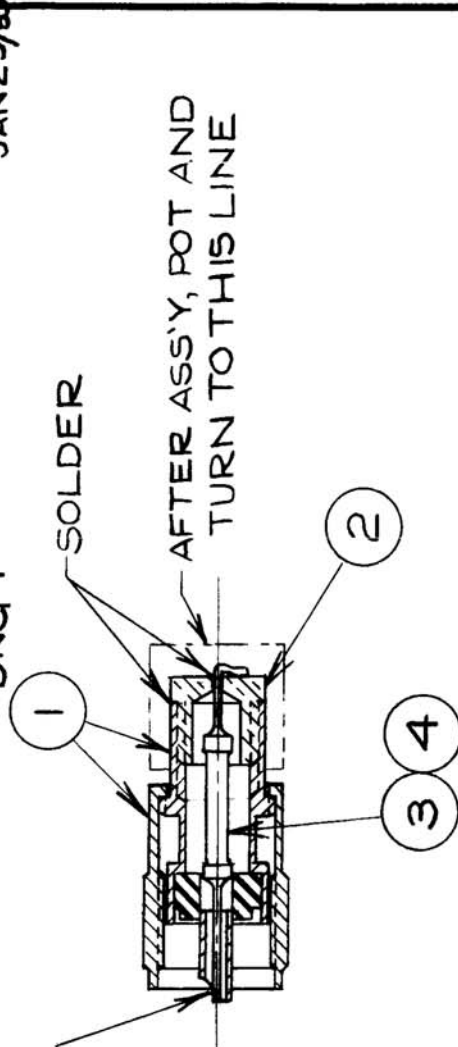
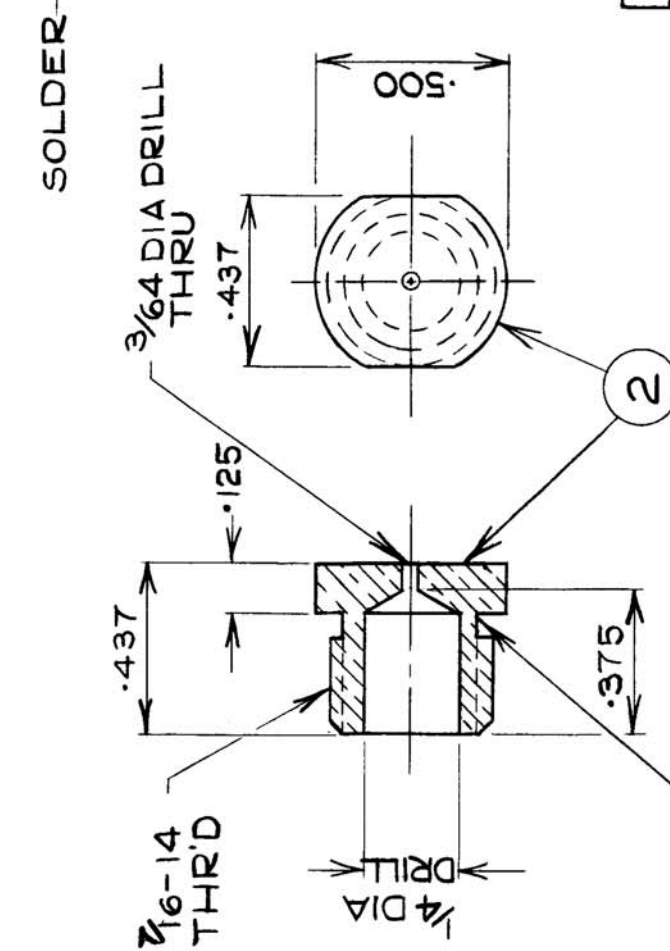


IF IT IS FOUND DESIRABLE TO CHANGE ANY TOLERANCE OR OTHER DETAIL SPECIFIED ON THIS DRAWING NOTIFY THE PURCHASER PROMPTLY.

MAXIMUM ALLOWABLE TOLERANCES HAVE BEEN DETERMINED AND DEVIATIONS WILL BE CAUSE FOR REJECTION. REMOVE ALL BURRS AND SHARP EDGES

A-10189

USED ON
MODEL PROJECT NO. ASSY. NO. DATE
DNG-1 JAN 29/89



1	4	RESISTOR-ELECTRA DC 1/2 70Ω ± 1%
1	3	RESISTOR-ELECTRA DC 1/2 50Ω ± 1%
2	2	PLUG
2	1	PL-259 CONNECTOR-AMPHENOL
REQ. ITEM		DESCRIPTION
1T2-1/2 LONG		TMC (Canada) LIMITED
STOCK SIZE		OTTAWA ONTARIO
1/2 OD. BRASS		50Ω ± 70Ω LOAD RESISTOR
MATERIAL		ASS'Y
TYPE & TEMPER		DCM
HEAT TREAT. SPEC.		DRAWN
IT2-CAD PLATE		ELEC. DES. APP. MECH. DES. APP.
FINISH & SPEC. NO.		CHECKED
		FINAL APPROVAL
		A-10189

NOTE:
USE ITEMS 1,2,4,3 FOR 50Ω ASS'Y,
ITEMS 1,2,4,4 FOR 70Ω ASS'Y

ISSUE ITEM	CHANGED FROM	DATE	CN. NO.	DRAFTS	CHECKER	ENG. APP.
TOLERANCES						
DEC. DIM. ± .005	DRILL, PUNCH, COMMERCIAL STOCK					
ALL OTHERS	SIZES AND MANUFACTURERS					
ANGULAR DIM. ±	TOLERANCES ARE NOT INCLUDED.					
SCALE 1:1, 2:1						