

IF IT IS FOUND DESIRABLE TO CHANGE ANY TOLERANCE OR OTHER DETAIL SPECIFIED ON THIS DRAWING NOTIFY THE PURCHASER PROMPTLY.

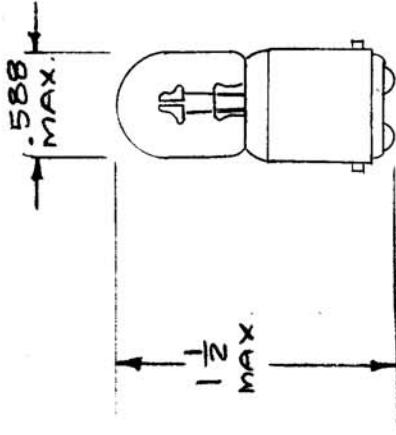
MAXIMUM ALLOWABLE TOLERANCES HAVE BEEN DETERMINED AND DEVIATIONS WILL BE CAUSE FOR REJECTION. REMOVE ALL BURRS AND SHARP EDGES

TMC NO.	NE	VOLT	W.	BULB
BI-103-1	16	110	1/25	T-4 1/2
BI-103-2	48	110	1/4	T-4 1/2

BI-103

USED ON

MODEL	PROJECT NO.	ASSY. NO.	DATE
SFO-2			2-12-53



REF: GENERAL ELECTRIC

REQ. ITEM	PART NO.	DESCRIPTION	SYMBOL
1		THE TECHNICAL MATERIEL CORP. MAMARONECK, NEW YORK	
1		NEON LAMP - DOUBLE	
		CANDALABRA BAYONET BASE	
		DRAWN	2-12-53
		CHECKED	2-12-53
		ELEC. DES. APP.	
		MECH. DES. APP.	
		FINAL APPROVAL	
		BI-103	A

ISSUE ITEM	CHANGED FROM	DATE	CN. NO.	DRAFTS	CHECKER	ENG. APP.
A 1	BI-103-2 Added (for GPT-10000)	1/8/59	16	16	Hde	[Signature]

SCALE \_\_\_\_\_

TOLERANCES

DEC. DIM. ±  
FRAC. DIM. ±  
ANGULAR DIM. ±

DRILL, PUNCH, COMMERCIAL STOCK SIZES AND MANUFACTURERS TOLERANCES ARE NOT INCLUDED.