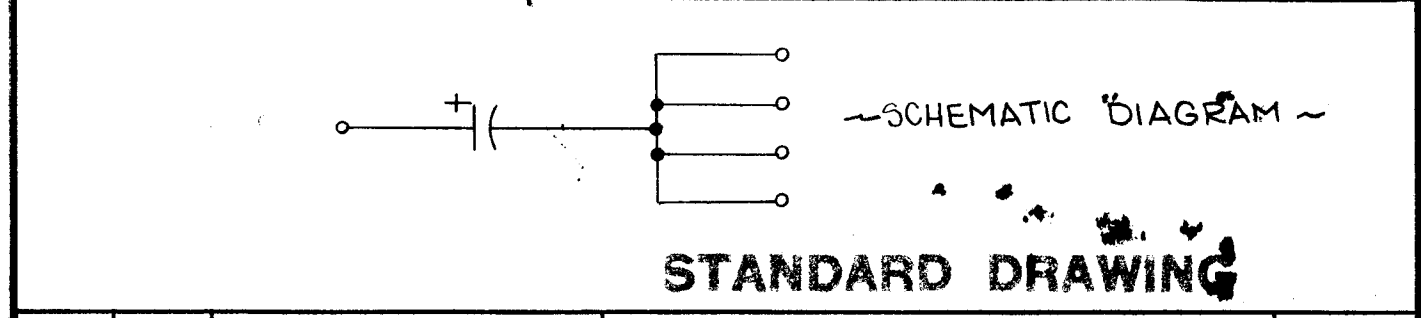
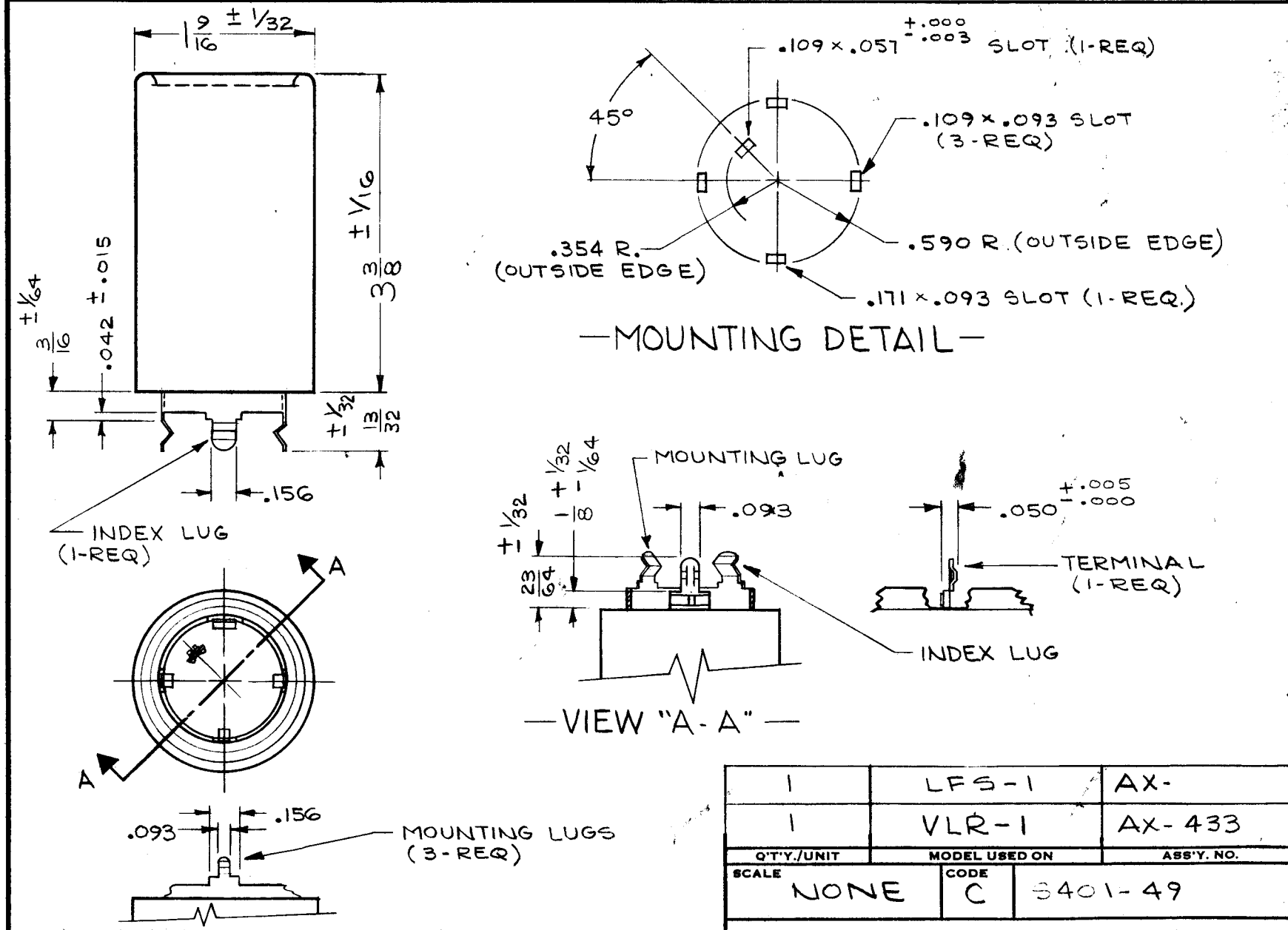


|              |               |                    |                |
|--------------|---------------|--------------------|----------------|
| TMC PART NO. | MFG. PART NO. | DC WORKING VOLTAGE | RATED CAPACITY |
| CE 117-1     | 459268        | 50 V.              | 2000 Mfd       |
|              |               |                    |                |
|              |               |                    |                |

CE 117 0

| REVISIONS |                                 |         |            |       |      |      |
|-----------|---------------------------------|---------|------------|-------|------|------|
| SYM       | DESCRIPTION                     | DATE    | E.M.N. NO. | DRAFT | CHKD | APPD |
| XI        | SPECS COMPLETELY UPDATED        | 3-23-64 | 1          | SS    |      |      |
| O         | ORIGINAL RELEASE FOR PRODUCTION | 5-12-64 | 0          | A.M.  | @    |      |

- SPECIFICATIONS**
- 1- CAPACITOR, FIXED, ELECTROLYTIC
    - A. POLARIZED OR NONPOLARIZED- POLARIZED
    - B. TYPE OF ANOID- FOIL
    - C. SOLID OR LIQUID ELECTROLYTIC- LIQUID
  - 2- QUANTITY OF SECTIONS- 1
  - 3- SECTION DATA:
    - A. WORKING VOLTAGE
      - (1) DIRECT CURRENT- 50V
    - B. CAPACITANCE DATA:
      - (1) RATED CAPACITY, IN MICROFARADS- 2000  $\mu$ f
  - 4- OPERATING TEMPERATURE RANGE- -20 TO +85° C.
  - 5- CASE DATA:
    - A. MATERIAL- METAL
    - B. INSULATED OR UNINSULATED- INSULATED CARDBOARD SLEEVE.
  - 6- TERMINAL DATA:
    - A. QUANTITY- 1
    - B. TYPE- PRINT - LOK
  - 7- SCHEMATIC DIAGRAM: (SEE PICTORIAL)
    - A. NEGATIVE TERMINAL IS INTERNALLY GROUNDED.
  - 8- MOUNTING DATA:
    - A. MOUNTING FACILITIES NOT INCLUDED
  - 9- MARKINGS: 2000 $\mu$ f 50 DC  
CAN NEG.



| REQ'D.  | ITEM | PART NUMBER | DESCRIPTION  | SYMBOL  |
|---|------|-------------|--|---|
| <b>GELLMAN LIST OF MATERIAL</b>   |      |             |  |   |
| MATERIAL  |      |             | <b>THE TECHNICAL MATERIEL CORP.</b><br>MAMARONECK, NEW YORK  |   |
| FINISH  |      |             | TITLE<br><b>CAPACIATOR, FIXED, ELECTROLYTIC</b>  |   |
| UNLESS OTHERWISE SPECIFIED DIMENSIONS ARE IN INCHES AND INCLUDE CHEMICALLY APPLIED OR PLATED FINISHES   |      |             | DRAWN: <i>E. Suman</i><br>CHECKED: <i>[Signature]</i><br>ELECT. DES. <i>[Signature]</i><br>MECH. DES. <i>[Signature]</i> | DATE: 3/23/64<br>DATE: 5-7-64<br>DATE: 5-6-64 |
| Q'TY./UNIT: 1<br>MODEL USED ON: LFS-1<br>ASS'Y. NO.: AX-  |      |             | FINAL APPROVAL<br><i>[Signature]</i><br><b>CE 117</b>  |   |
| SCALE: NONE<br>CODE: C<br>5401-49   |      |             | DATE: 5-6-64<br>SHEET: 0   |   |
| THE CONTENTS OF THIS DRAWING ARE THE EXCLUSIVE PROPERTY OF THE TECHNICAL MATERIEL CORP. ITS UNAUTHORIZED USE OR REPRODUCTION IN WHOLE OR IN PART IS STRICTLY FORBIDDEN. |      |             |  |   |
| DECIMALS: .X ± .05<br>.XX ± .01<br>.XXX ± .005  |      |             | FRACTIONS: ± 1/64<br>ANGLES: ± 0° 30'  |   |
| REV. LTR.   |      |             |  |   |

**NOTES**