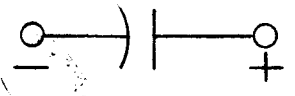


STANDARD DRAWING

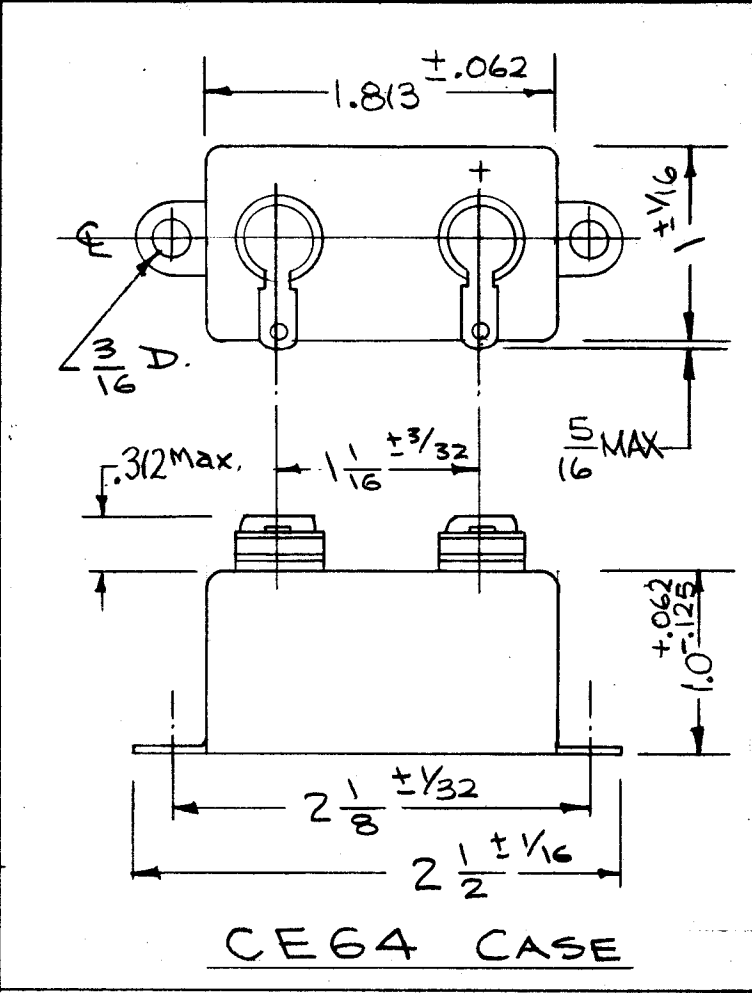
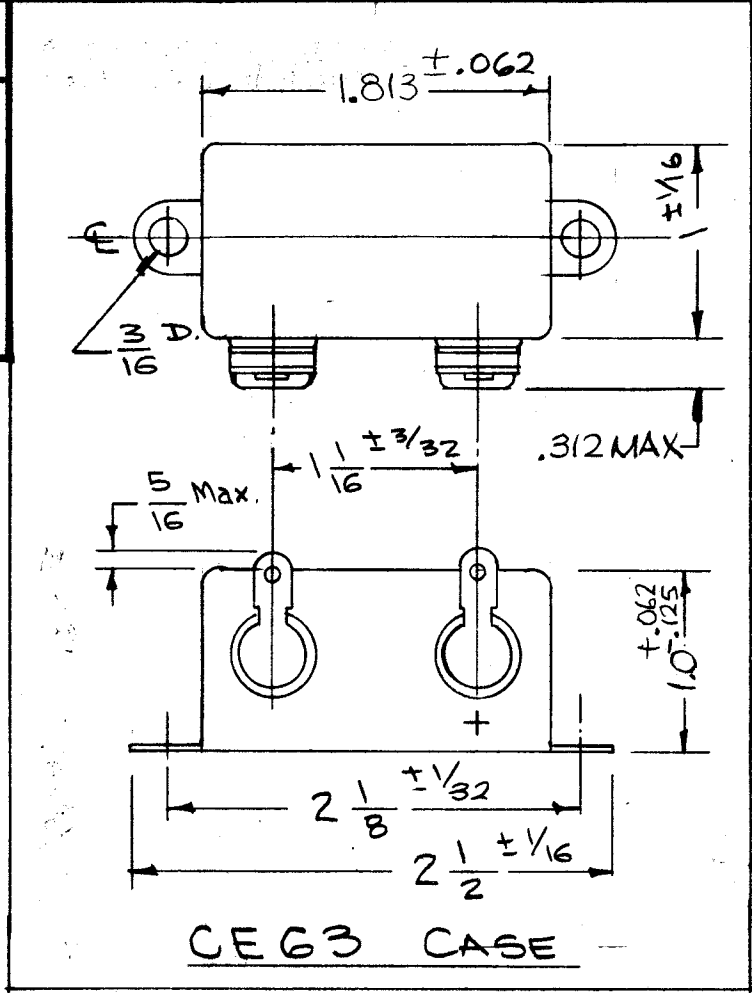
IF IT IS FOUND DESIRABLE TO CHANGE ANY TOLERANCE OR OTHER DETAIL SPECIFIED ON THIS DRAWING NOTIFY THE PURCHASER PROMPTLY.

MAXIMUM ALLOWABLE TOLERANCES HAVE BEEN DETERMINED AND DEVIATIONS WILL BE CAUSE FOR REJECTION. REMOVE ALL BURRS AND SHARP EDGES

TYPE DESIGNATION	RATED WVDC (VOLTS)	RATED CAP. $\mu$ F.	MAX. IMPEDANCE AT 120 CYCLES		MAX RMS RIPPLE @ 120CY MILLI AMP	STD MIL PART *	
			AT -40°C (CHAR. C, F)	GUMS		CE63	CE64
CEG-C101E	15	100		750	—	YES	YES
CEG-C250F	25	25		1,200	—	YES	YES
CEG-C500F	OBSOLETE USE CEG-C500G						
CEG-C750F	25	75		400	—	YES	YES
CEG-C250G	50	25		1,000	—	YES	
CEG-C500G	50	50		500	—	YES	
CEG-C100H	OBSOLETE USE CEG-C100J						
CEG-C250H	100	25		720	140	YES	
CEG-C100J	150	10		1,600	—		YES
CEG-C200J	150	20		800	170	YES	YES
CEG-C100K	200	10		1,400	130		YES
CEG-C150K	200	15		940	150	YES	
CEG-C100M	OBSOLETE USE CEG-C100N						
CEG-C120M	250	12		1,000	130	YES	
CEG-C100N	300	10		1,000	140	YES	YES
CEG-C080P	350	8		3,200	—	YES	YES
CEG-C060Q	400	6		3,400	—	YES	
CEG-F040R	450	4		5,000	—	YES	YES



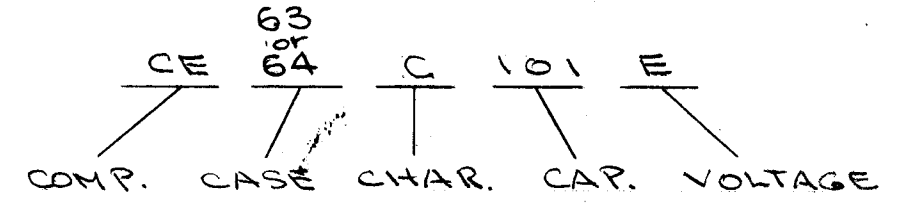
CEG3 & 64 C



D.C. WORKING VOLTAGE & SURGE VOLTAGE

DES	D.C. WORKING VOLTAGE VOLTS	D.C. SURGE VOLTAGE VOLTS
E	15	20
F	25	40
G	50	75
H	100	150
J	150	200
K	200	250
M	250	300
N	300	350
P	350	400
Q	400	450
R	450	500

TYPE DESIGNATION TO BE IN FOLLOWING FORM



\* NOTE - FOR NON-MILITARY CAPACITOR ADD "YY" SUFFIX TO PT/NO OR USE NEXT HIGHER VOLTAGE RATING STANDARD MIL PART.

CAPACITOR TO BE IN ACC. WITH MIL-C-62/17 & AMEND.

REQ. ITEM	PART NO.	DESCRIPTION	SYMBOL
THE TECHNICAL MATERIEL CORP. MAMARONECK, NEW YORK			
CAPACITOR, DRY ELECTROLYTIC			
POLARIZED			
STOCK SIZE		CDD 8-2-55	
MATERIAL		WEIGHT PER PC.	
TYPE & TEMPER		DRAWN	
HEAT TREAT. SPEC.		ELEC. DES. APP. MECH. DES. APP.	
FINISH & SPEC. NO.		CHECKED	
		FINAL APPROVAL	

CHARACTERISTIC

DESIGNATION	WORKING TEMPERATURE RANGE IN DEGREES	
	C	F
A	OBSOLETE	USE STD MIL CHARACTERISTIC
B	OBSOLETE	CHARACTERISTIC
C	-40 TO 85	-40 TO 185
D	OBSOLETE	USE STD MIL CHARACTERISTIC
E	OBSOLETE	CHARACTERISTIC
F	-40 TO 65	-40 TO 149

C	DRAWING UPDATED	1213-64	17475	RME	<i>[Signature]</i>		
ISSUE	ITEM	CHANGED FROM	DATE	CN. NO.	DRAFTS	CHECKER	ENG. APP.
TOLERANCES			SCALE:				
ALL DIM. ±			DRILL, PUNCH, COMMERCIAL STOCK SIZES AND MANUFACTURERS TOLERANCES ARE NOT INCLUDED.				
FRAC. DIM. ±			REQ. PER UNIT				
ANGULAR DIM. ±			MODEL				
			PROJECT NO.				
			ASS'Y. NO.				
			DATE				
			USED ON				

CE 63 & 64 C