

IF IT IS FOUND DESIRABLE TO CHANGE ANY TOLERANCE OR OTHER DETAIL SPECIFIED ON THIS DRAWING NOTIFY THE PURCHASER PROMPTLY.

MAXIMUM ALLOWABLE TOLERANCES HAVE BEEN DETERMINED AND DEVIATIONS WILL BE CAUSE FOR REJECTION. REMOVE ALL BURRS AND SHARP EDGES

TYPE * DESIGNATION	TOTAL RES. OHMS	TAPER AVAILABLE	TYPE * DESIGNATION	TOTAL RES. OHMS	TAPER AVAILABLE
RA25-3R0	3.0	ACF	RA25-251	250	ACF
-6R0	6.0		-351	350	
-8R0	8.0		-501	500	
-100	10		-751	750	
-150	15		-102	1,000	
-200	20		-152	1,500	
-250	25		-252	2,500	
-350	35		-352	3,500	
-500	50		-502	5,000	
-750	75		-752	7,500	
-101	100		-103A	10,000	A
-151	150		-153A	15,000	A
-201	200				

*COMPLETE TYPE DESIGNATION TO BE SHOWN IN THE FOLLOWING FORM.

RA 25 A 1 RH 153 A K

COMPONENT STYLE SWITCH TORQUE SHAFT RES. RES. RES. VALUE TAPER TOL.

DESIGNATING LETTER	STYLE OF SHAFT
F	FLATTED
R	ROUND
S	SLOTTED

DESIGNATING LETTER	RES. TOLERANCE
J	± 5%
K	± 10%

DES. LETTER	LENGTH OF SHAFT ± 1/32	
	R OR F	S
A	—	1/2
D	7/8	7/8
E	1	—
G	1 1/4	1 1/4
H	1 1/2	—
J	2	2
K	2 1/2	2 1/2

SWITCH	
A	NONE
B	SPST

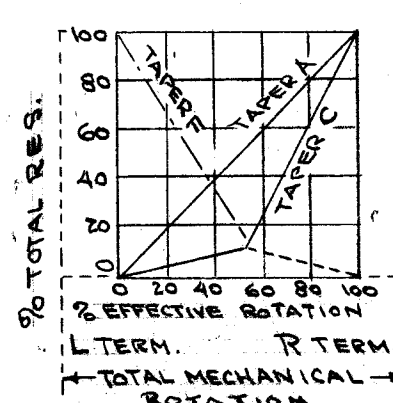
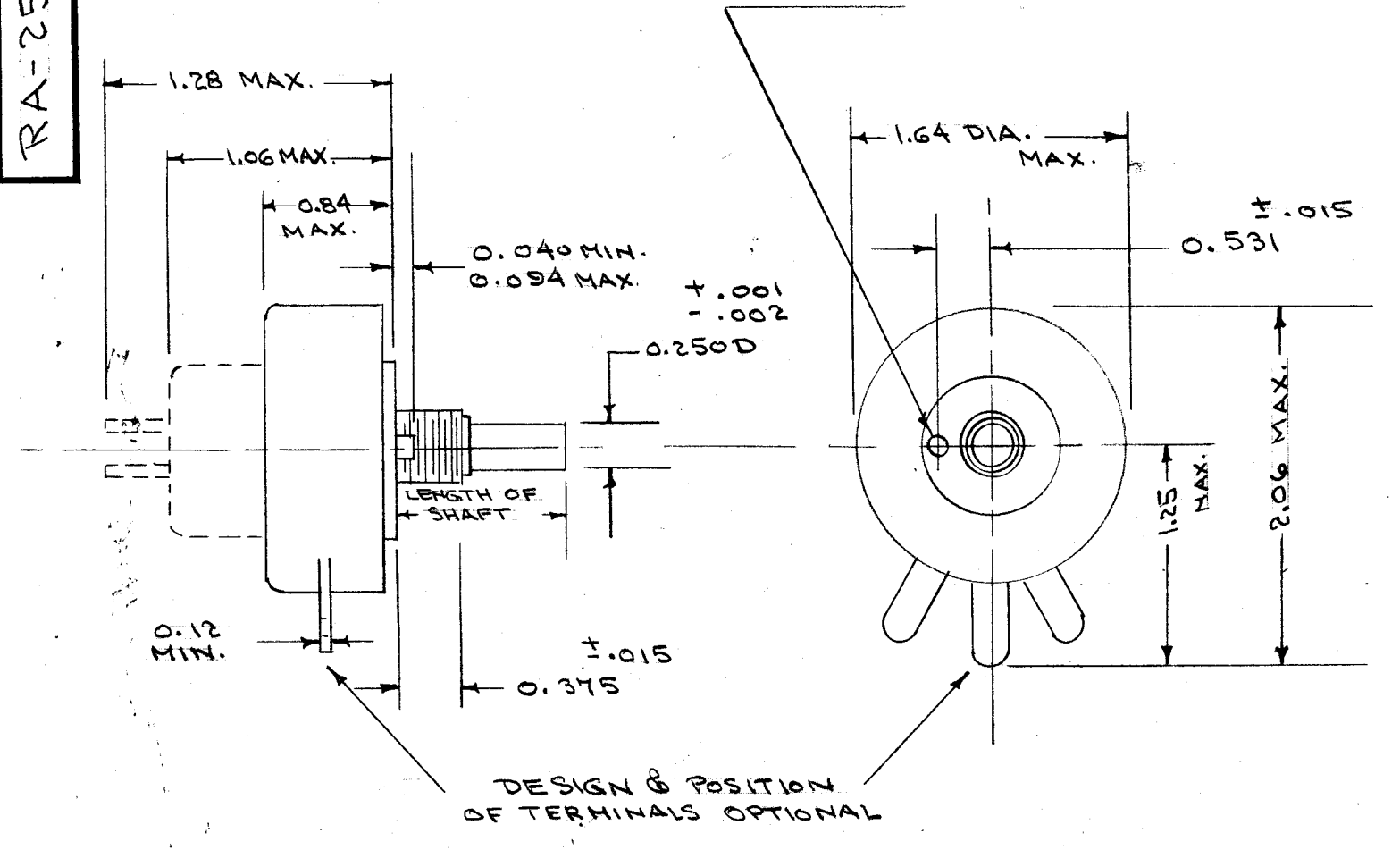
TORQUE	
1	NORMAL
2	HIGH

ROTATION IN DEGREES			
EFFECTIVE		TOTAL MECHANICAL	
WITH SWITCH	WITHOUT SWITCH	WITH SWITCH	WITHOUT SWITCH
FROM 245 TO 265	FROM 270 TO 285	FROM 295 TO 305	FROM 280 TO 305

RA-25 B

STANDARD DRAWING

DESIGN OF NON-TURN DEVICE OPTIONAL. 0.125 ± 0.005 MAX. DIA. OR WIDTH



RES. TO BE IN ACC. WITH JAN-R-19 & AMEND.

REQ. ITEM	PART NO.	DESCRIPTION	SYMBOL
#		THE TECHNICAL MATERIEL CORP. MAMARONECK, NEW YORK	
#		RESISTOR, VARIABLE	
#		W.V. 3 WATTS	
#		C.D.D. 11/30/54	
#		DRAWN	ELEC. DES. APP. MECH. DES. APP.
#		CHECKED	FINAL APPROVAL
#			RA-25 B

B	1	FOR 1.25 & 2.06 DIM LINES CORRECTED	3-15-63	8573	RC	JAY	
A	1	3 WATTS ADDED	3/5/54	1	CSB	FADE	A.J.J.
#	#	REDRAWN, NO CHANGE	11/30/54	1	CSB	FADE	

ISSUE	ITEM	CHANGED FROM	DATE	CN. NO.	DRAFTS	CHECKER	ENG. APP.
TOLERANCES							
SCALE:							
DRILL, PUNCH, COMMERCIAL STOCK SIZES AND MANUFACTURERS TOLERANCES ARE NOT INCLUDED.							
ALL OTHERS	DEC. DIM. ±	FRAC. DIM. ±	ANGULAR DIM. ±	REQ. PER UNIT	MODEL	PROJECT NO.	ASS'Y. NO. DATE

REQ. PER UNIT	MODEL	PROJECT NO.	ASS'Y. NO.	DATE