

IF IT IS FOUND DESIRABLE TO CHANGE ANY TOLERANCE OR OTHER DETAIL SPECIFIED ON THIS DRAWING NOTIFY THE PURCHASER PROMPTLY.

MAXIMUM ALLOWABLE TOLERANCES HAVE BEEN DETERMINED AND DEVIATIONS WILL BE CAUSE FOR REJECTION. REMOVE ALL BURRS AND SHARP EDGES

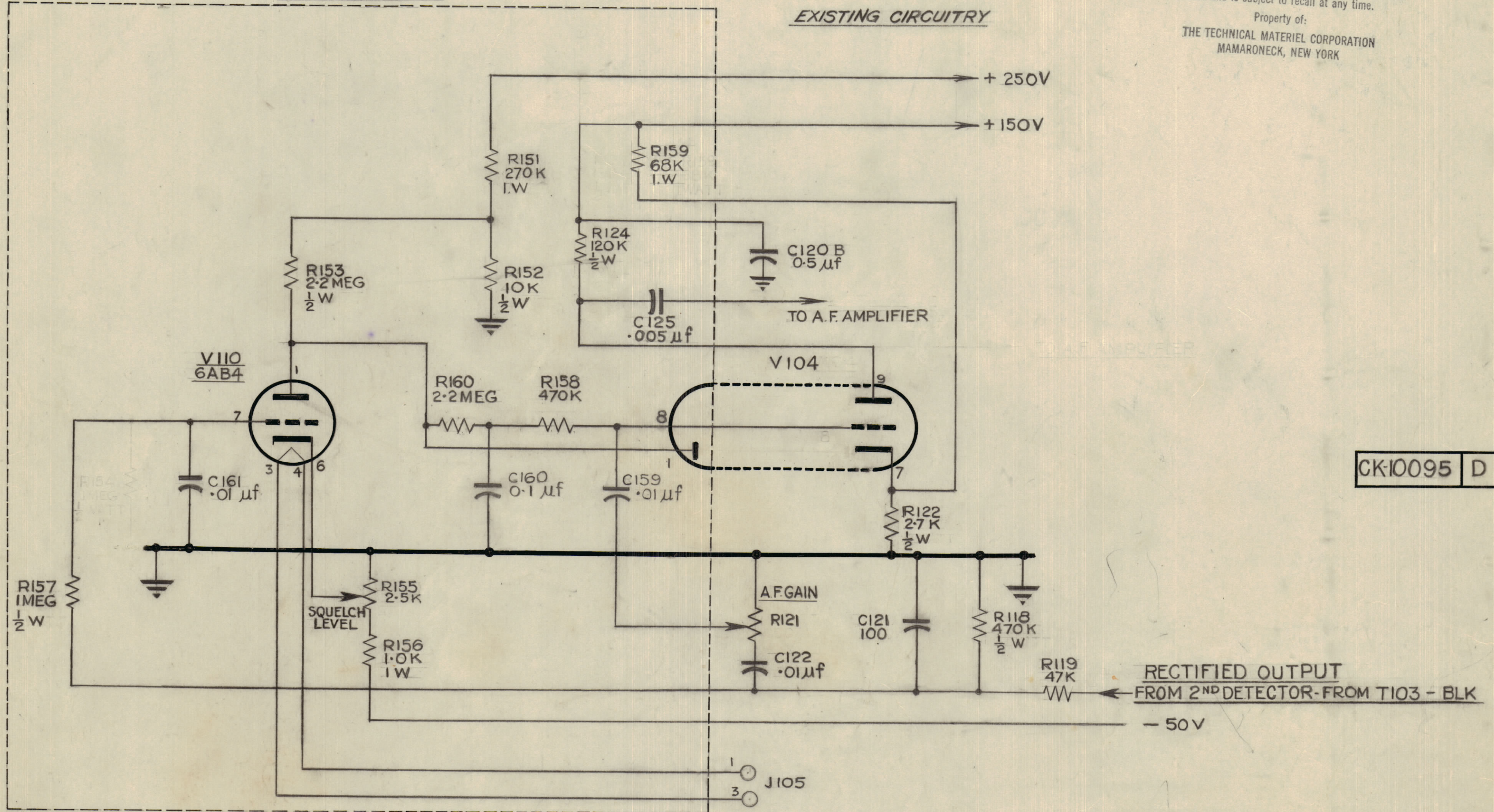
NOTICE TO PERSONS RECEIVING THIS DRAWING

THE TECHNICAL MATERIEL CORPORATION claims proprietary right in the material disclosed hereon. This drawing is issued in confidence for engineering information only and may not be reproduced or used to manufacture anything shown hereon without permission from THE TECHNICAL MATERIEL CORPORATION to the user. This drawing is loaned for mutual assistance and is subject to recall at any time.

Property of:
THE TECHNICAL MATERIEL CORPORATION
MAMARONECK, NEW YORK

MODIFICATION

EXISTING CIRCUITRY



CK-10095 D

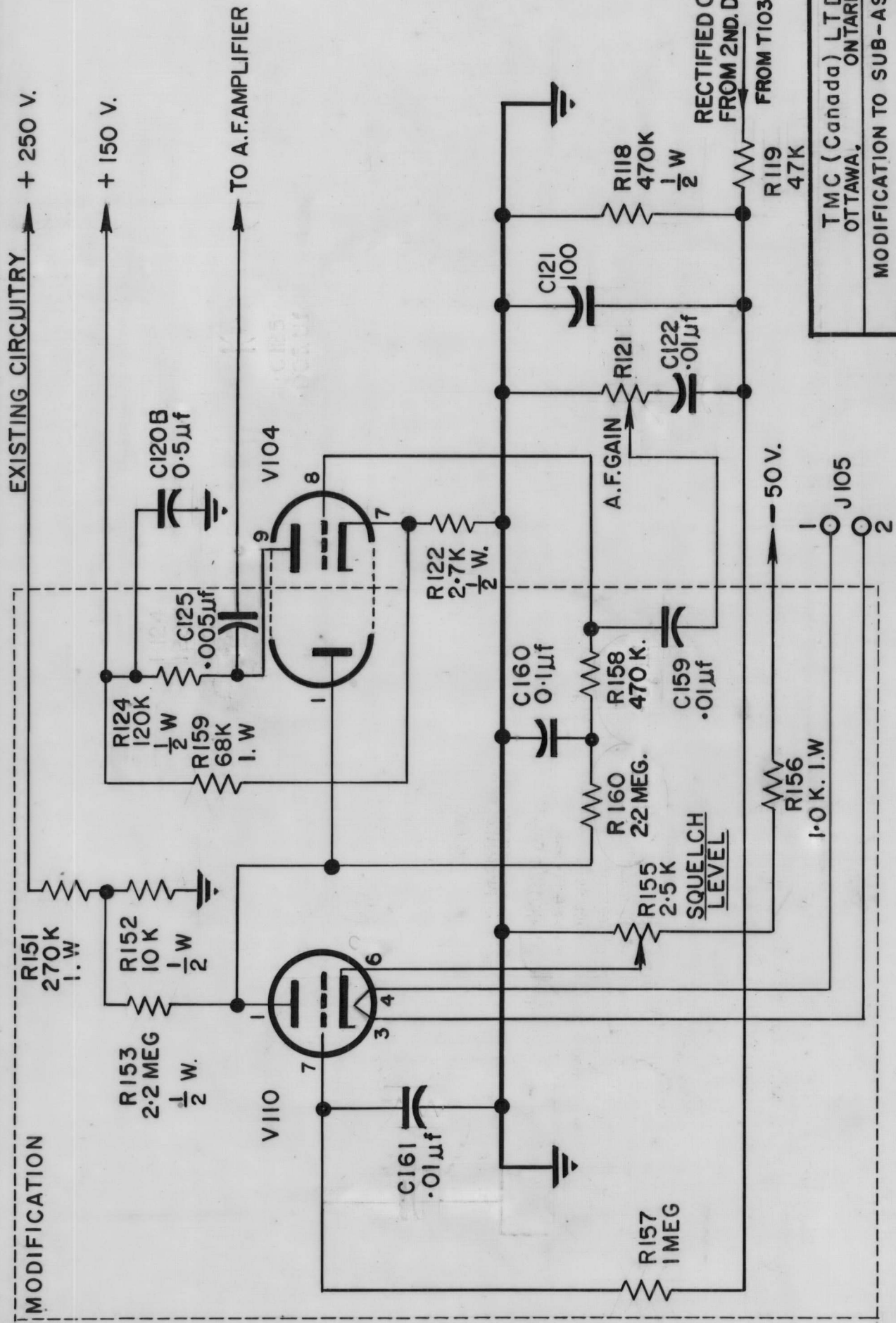
D	11	V104 SUPPLIED FROM 150V. LINE					
	10	C125 .005 μ f WAS .01 μ f					
	9	R156 1.0K WAS 6.8K	23/4/56	E.G.	lab	noaa	
	8	R154 DELETED					
	7	R123 DELETED					
C	6	C160 0.1 μ f WAS 0.2 μ f	14/3/56	E.G.	lab	noaa	
	5	Nº 1 LEAD ADDED V104					
B	4	R160 2.2 MEG. ADDED					
	3	R153 - 2.2 MEG WAS 1 MEG	14/3/56	E.G.	lab		
	2	R152 - 10K WAS 4.7 K.					
A	1	REDRAWN	12-3-56	E.G.	lab	noaa	
ISSUE	ITEM	CHANGED FROM	DATE	CN. NO.	DRAFTS	CHECKER	ENG. APP.
		TOLERANCES		SCALE:			
ALL OTHERS	DEC. DIM. \pm FRAC. DIM. \pm ANGULAR DIM. \pm		DRILL, PUNCH, COMMERCIAL STOCK SIZES AND MANUFACTURERS TOLERANCES ARE NOT INCLUDED.				

REQ. ITEM	PART NO.	DESCRIPTION	SYMBOL
		TMC (Canada) LIMITED OTTAWA ONTARIO	
STOCK SIZE		MODIFICATION TO SUB-ASS'Y.	
MATERIAL	WEIGHT PER PC.	R5007/FRR-502-FOR SQUELCH OPERATION	
TYPE & TEMPER		EWBG	
HEAT TREAT. SPEC.		DRAWN	ELEC. DES. APP.
FINISH & SPEC. NO.		CHECKED	FINAL APPROVAL
		CK-10095 D	

12-3-56

MODEL	PROJECT NO.	ASS'Y. NO.	DATE

CK10095 D



TMC (Canada) LTD
 OTTAWA, ONTARIO.

MODIFICATION TO SUB-ASSEMBLY
 R5007/FFR-502. FOR SQUELCH OPERATION.

E.W.B.G. *EWB*
 DRAWN CHECKED ELEC. DES. APP. FINAL APP.

MARCH 6, 1956.

CK-10095 D