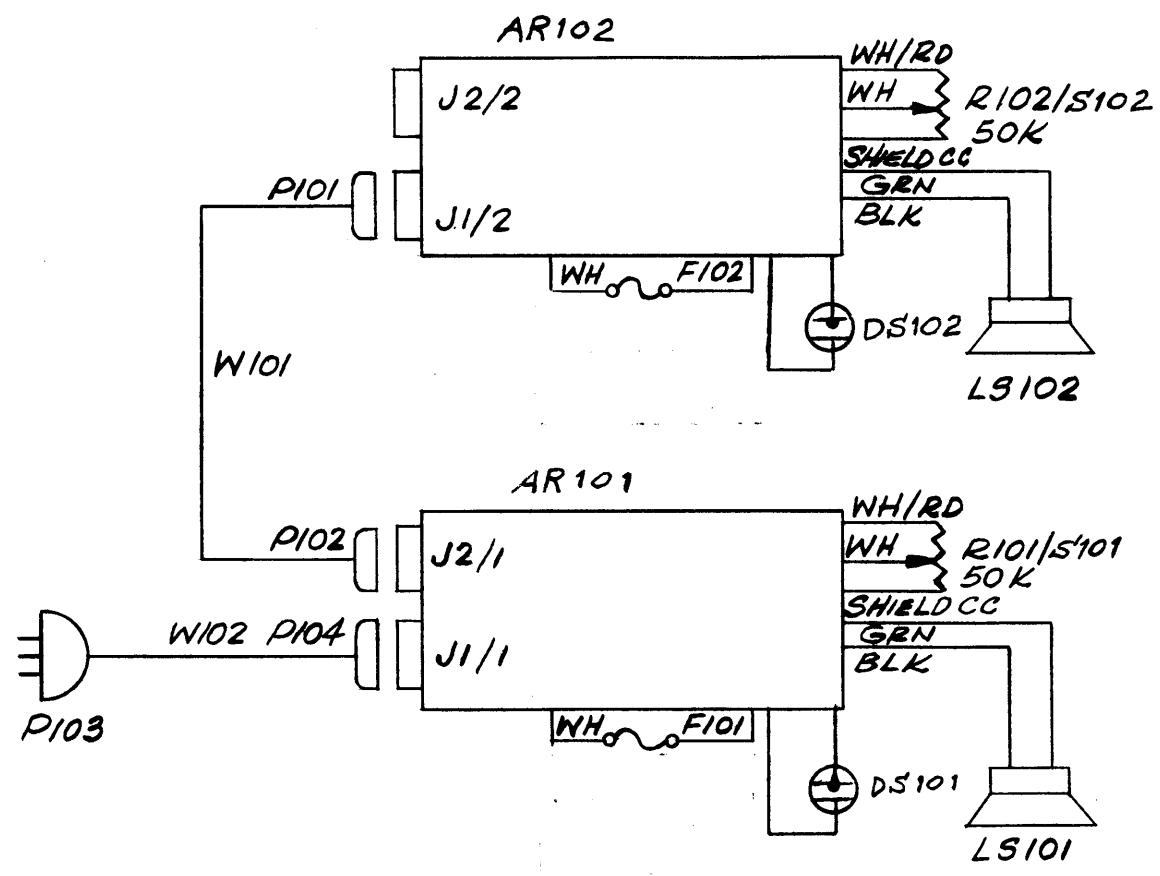


CK1004

REVISIONS					
SYM	DESCRIPTION	DATE	E.M.N. NO.	DRAFT	CHKD APPD
Ø	ORIGINAL RELEASE FOR PRODUCTION	6-7-65	-	HLA	
A	R1B/1, R1B/2, DS1/1, DS1/2, DELETE .062 WAS .032 DS101, DS102, AR101, AR102, R101/1, R101/2 TO R101/2 ADDED	8-6-65	14529	H.V.V.	JCB MHA
B	.062 WAS .1 AMP; .032 WAS .062	1-31-66	15630	H.A.	JCB MHA
C	ON F101 & F102: .1A WAS .062A, .062A WAS .032A	3-16-64	15964	M.P.A.	JCB MHA

AUDIO AMPLIFIERS (SEE NOTE)



FUSES F101 & F102
 .1 AMP FOR 115V OPERATION
 .062 AMP FOR 230V OPERATION

NOTE:
 FOR SCHEMATIC DIAGRAM OF AUDIO AMPLIFIERS (TMC No. AZ102) SEE CK751.
 W102 USED ONLY WHEN THIS UNIT IS SHIPPED ALONE.

REQ'D.	ITEM	PART NUMBER	DESCRIPTION	SYMBOL
R.HAY				
LIST OF MATERIAL				
MATERIAL	THE TECHNICAL MATERIEL CORP.			
	MAMARONECK, NEW YORK			
FINISH	DIAGRAM, SCHEMATIC			
UNLESS OTHERWISE SPECIFIED DIMENSIONS ARE IN INCHES AND INCLUDE CHEMICALLY APPLIED OR PLATED FINISHES			DRAWN	DATE
			H.A.	6/8/65
			CHECKED	DATE
			JCB	6/8/65
			ELECT. DES.	DATE
			MHA	6/8/65
			MECH. DES.	DATE
			CK 1004	
			SHEET	REV. LTR.
				C

BSP-5	
Q'TY./UNIT	MODEL USED ON
SCALE	ASS'Y. NO.
#	

NOTES

THE CONTENTS OF THIS DRAWING ARE THE EXCLUSIVE PROPERTY OF THE TECHNICAL MATERIEL CORP. ITS UNAUTHORIZED USE OR REPRODUCTION IN WHOLE OR IN PART IS STRICTLY FORBIDDEN.