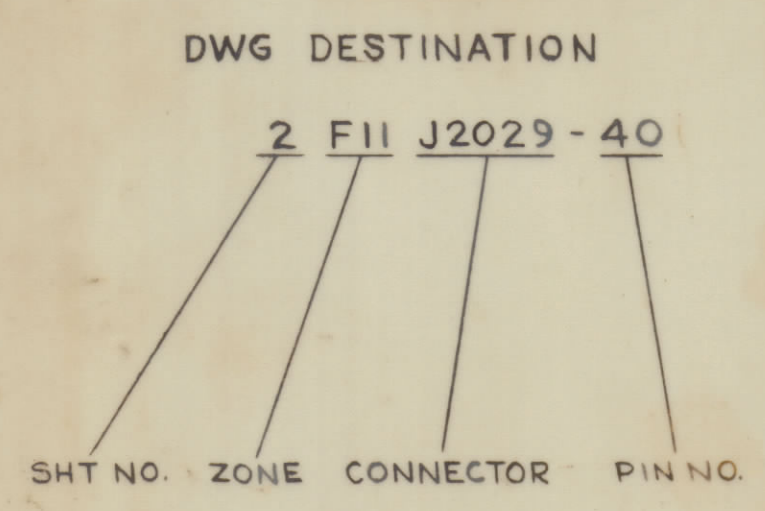


REVISIONS					
SYM	DESCRIPTION	DATE	ENR NO	DRAFT	APPD
Ø	ORIGINAL RELEASE FOR PRODUCTION	7/6/65	Ø	XCL	

CARDS USED

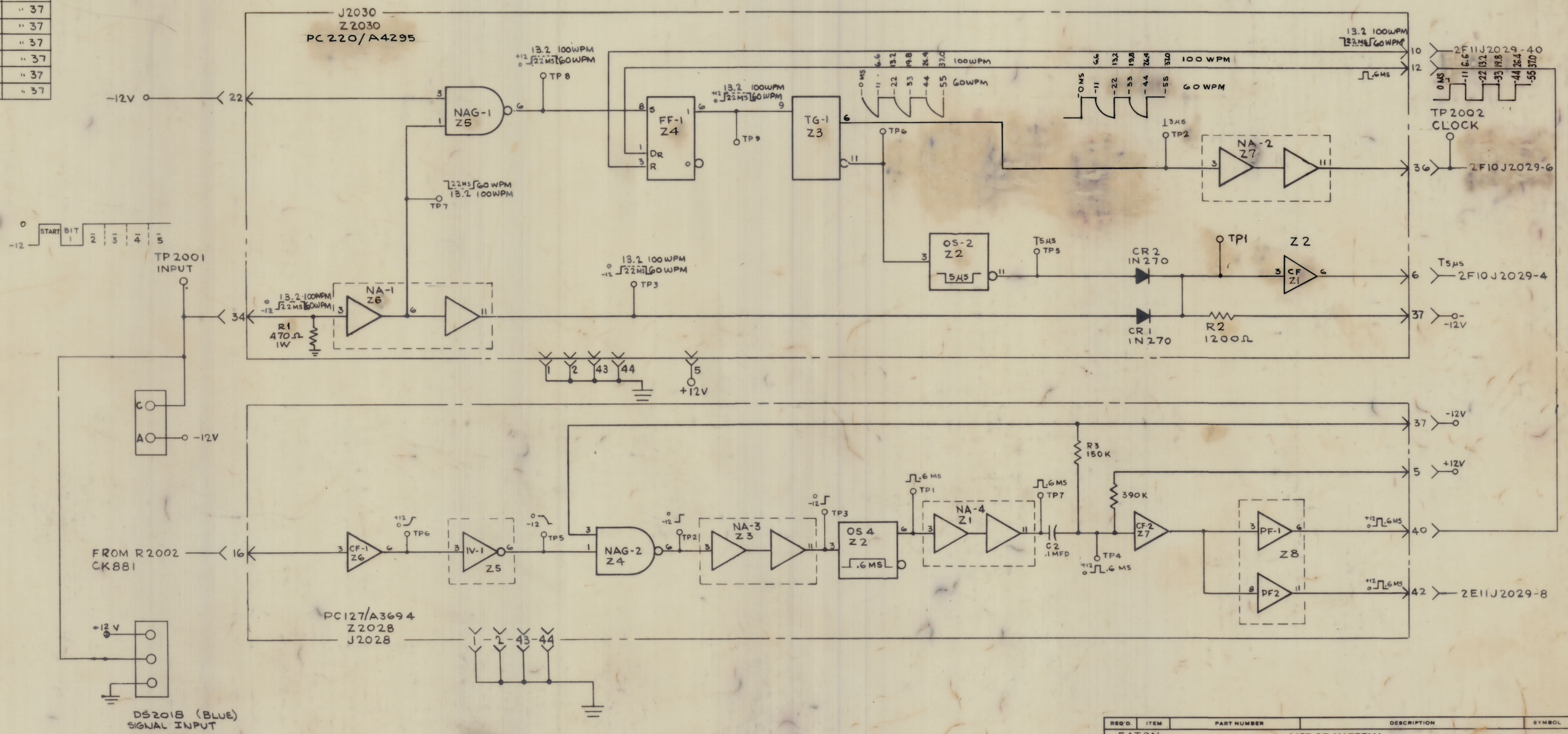
PART NO.	DESCRIPTION	CONNECTOR NO.	LOCATION	B+ INPUT	B- INPUT
PC144/A3761	RESET CKT FOR MEMORY FF'S	J2001	SHT 3	PIN 5	PIN 37
PC141/A3758	SHIFT REGISTER FOR MEMORY FF'S	J2002	SHT 6	" 5	" 37
PC121/A3688	READOUT MEMORY FF'S	J2003	SHT 6	" 5	" 37
"	"	J2004	" 6	" 5	" 37
PC124/A3691	READOUT CKT FOR KC NIXIE DRIVERS	J2005	" 6	"	" 37
PC121/A3688	READOUT MEMORY FF'S	J2006	" 7	" 5	" 37
"	"	J2007	" 7	" 5	" 37
PC123/A3690	READOUT DRIVE CKT	J2008	" 7	"	PIN 39 PIN 19
PC141/A3758	SHIFT REGISTER FOR MEMORY FF'S	J2009	" 8	" 5	" 37
PC121/A3688	READOUT MEMORY FF'S	J2010	" 8	" 5	" 37
"	"	J2011	" 8	" 5	" 37
"	"	J2012	" 9	" 5	" 37
PC123/A3690	READOUT DRIVE CKT	J2013	" 8	"	" 39 " 19
PC121/A3688	READOUT MEMORY FF'S	J2014	" 9	" 5	" 37
PC126/A3693	READOUT DRIVE CKT	J2015	" 9	"	" 39
PC124/A3691	R'OUT DRIVE CKT FOR NIXIE DRIVERS	J2016	" 5	"	" 37
PC121/A3688	READOUT MEMORY FF'S	J2017	" 5	" 5	" 37
"	"	J2018	" 5	" 5	" 37
PC138/A3755	AND-OR LOGIC FOR MC R'OUTS	J2019	" 4	" 5	" 37
PC145/A3754	NOR LOGIC FOR MC 10'S, 20'S, 30'S	J2020	" 4	" 5	" 37
PC140/A3757	NOR LOGIC FOR MC 1'S	J2021	" 4	" 5	" 37
"	"	J2022	" 4	" 5	" 37
PC143/A3760	FIRST LOGIC STAGE-MC R'OUTS	J2023	" 3	"	" 37
PC121/A3688	READOUT MEMORY FF'S	J2024	" 3	" 5	" 37
PC142/A3759	MC SHIFT REGISTER	J2025	" 3	" 5	" 37
PC160/A3794	TIMING & RESET CKT	J2026	" 2	" 5	" 37
PC139/A3756	CODE STORAGE - INPUT SH. REG.	J2027	" 2	" 5	" 37
PC127/A3694	INITIAL RESET CKT	J2028	" 1	" 5	" 37
PC125/A3692	SERIAL TO PARALLEL SH. REG.	J2029	" 2	" 5	" 37
PC165/A3806	SER. TO PAR. CLOCK CKT	J2030	" 1	" 5	" 37

NOTES:
 1 - GROUND CONNECTION THRU PINS 1, 2, 43 & 44 FOR ALL CARDS.
 2 - FOR RTIE-1 DELETE DS2015 AND R2018 LOCATED ON SHEET 8 OF 9.



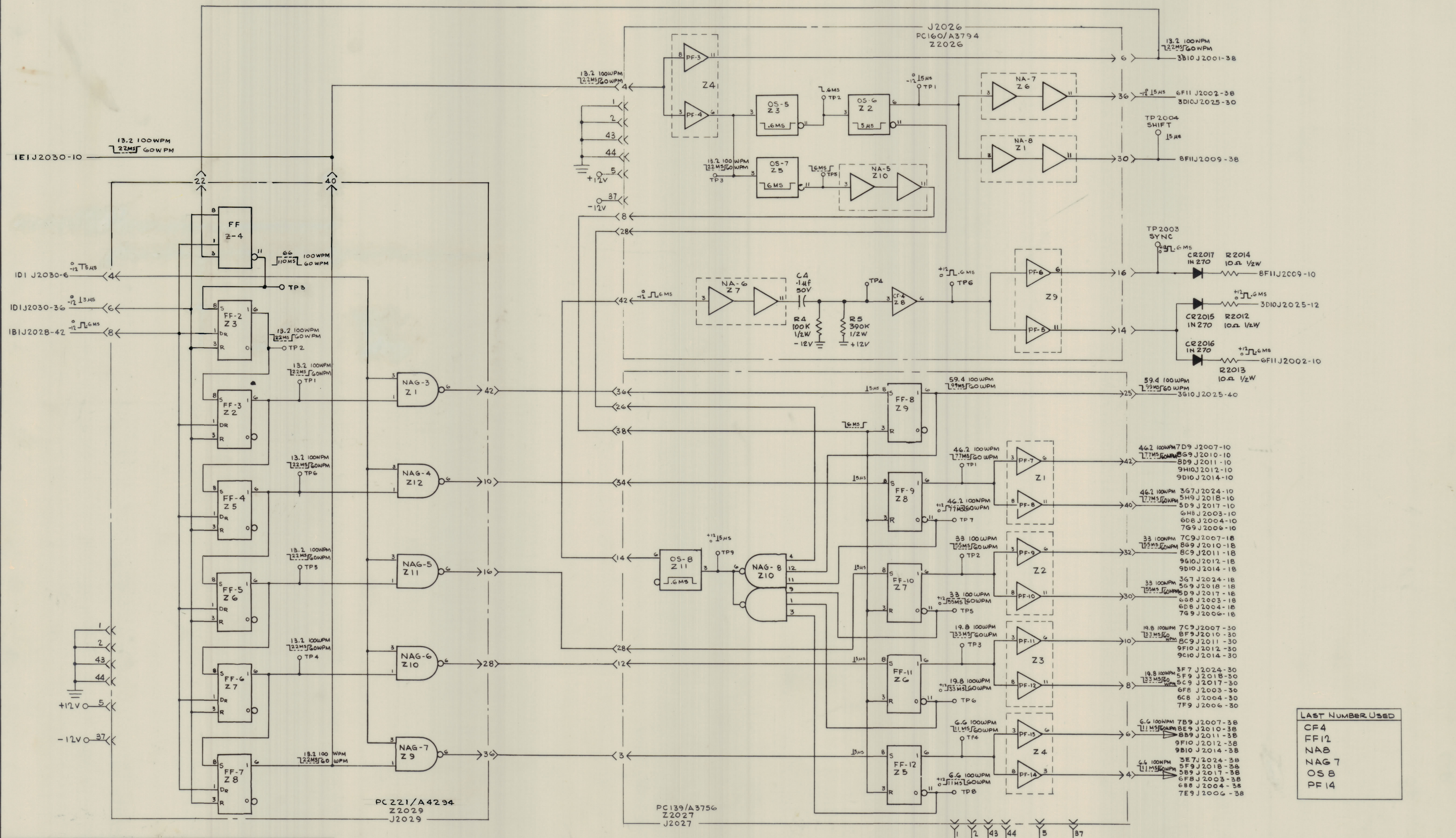
LAST NUMBER USED

CF2
FF1
IV1
NA4
NAG2
OS4
PF2
TG1



REQD	ITEM	PART NUMBER	DESCRIPTION	SYMBOL
EATON LIST OF MATERIAL				
MATERIAL THE TECHNICAL MATERIEL CORP. MAMARONECK, NEW YORK				
FINISH TITLE DIAGRAM LOGIC DETAILED (RTIE-1)				
UNLESS OTHERWISE SPECIFIED DIMENSIONS ARE IN INCHES AND INCLUDE CHEMICALLY APPLIED OR PLATED FINISHES				
DECIMALS	FRACTIONS	ANGLE	MECH. DIM.	DATE
3 ± .008	1/16	± 1/64	± .010	
16 ± .008		± 1/32	± .010	

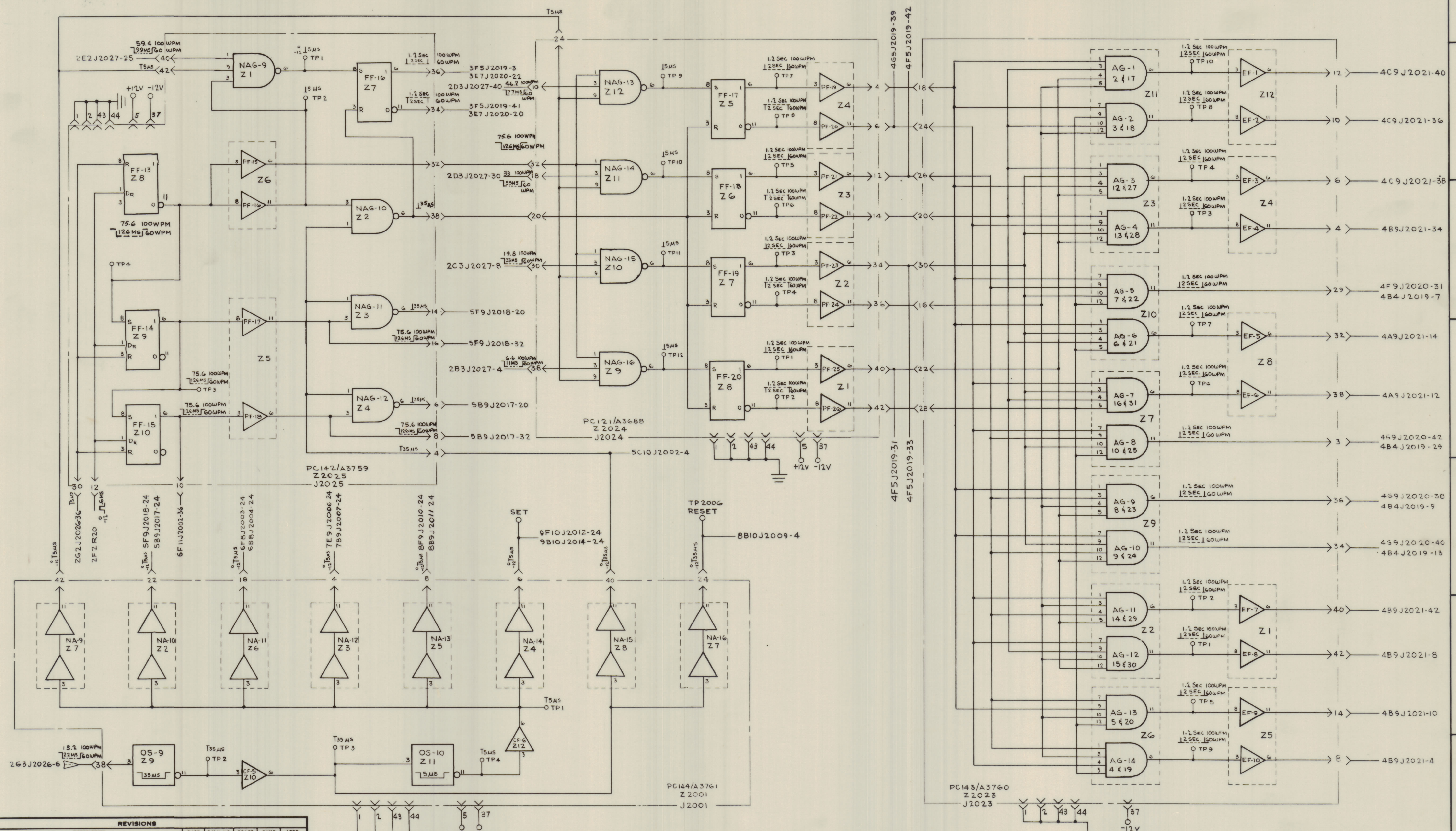
DATE: 7/7/65
 CHECKED: JL
 DRAWN: JL
 APPROVAL: [Signature]
 PART NO: CK1009
 SHEET 1 OF 9



LAST NUMBER USED	
CF4	
FF12	
NAB	
NAG 7	
OS 8	
PF 14	

REVISIONS						
BY	DESCRIPTION	DATE	E.M. NO.	DRAFT	CHKD	APPD
	ORIGINAL RELEASE FOR PRODUCTION	7/14/65			J.V.V.	

REQ'D.	ITEM	PART NUMBER	DESCRIPTION	SYMBOL
EATON LIST OF MATERIAL				
MATERIAL				
THE TECHNICAL MATERIEL CORP. MAMARONECK, NEW YORK				
FINISH				
TITLE DIAGRAM, LOGIC, DETAILED (RTIG-1)				
UNLESS OTHERWISE SPECIFIED DIMENSIONS ARE IN INCHES AND INCLUDE CHEMICALLY APPLIED OR PLATED FINISHES				
DATE	DRAWN	DATE	APPROVAL	DATE
7/7/65	JL	7/7/65	[Signature]	7/15/65
CHECKED	DATE	DATE		
0012	7/15/65			
DECIMALS	FRACTIONS	REL. DIM.	DATE	
X ± .08		± 1/64		
± .01		ANGLES		
± .005		± 6° 30'		
SHEET 2 OF 9				
REV. 12				

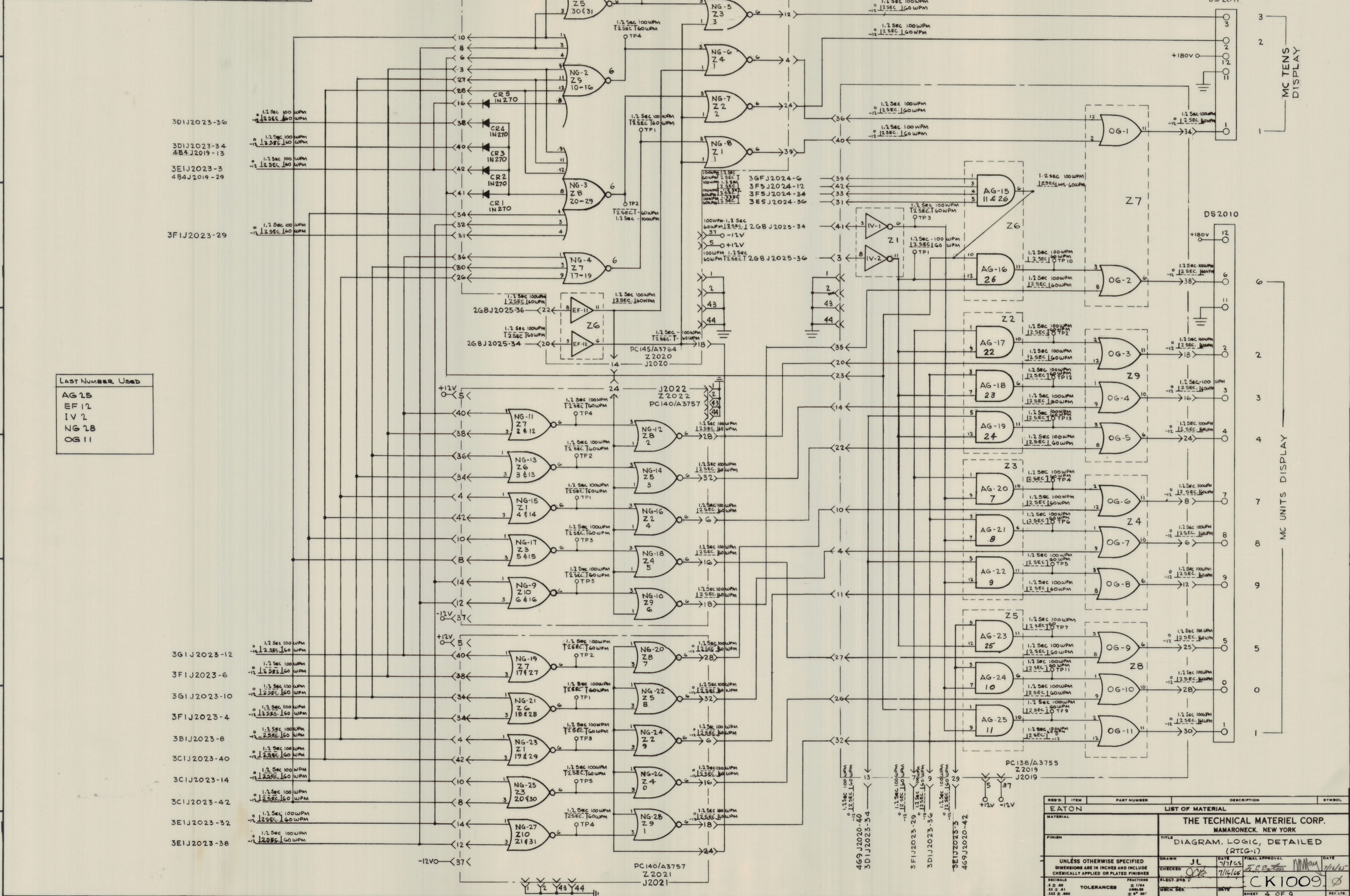


- LAST NUMBER USED
- AG 14
 - CF 6
 - EF 10
 - FF 20
 - NA 16
 - NAG 16
 - OS 10
 - PF 26

BYM	DESCRIPTION	DATE	E.M.N. NO.	DRAFT	CHKD.	APPD.
	ORIGINAL RELEASE FOR PRODUCTION	7/14/65				

RECD.	ITEM	PART NUMBER	DESCRIPTION	SYMBOL
EATON LIST OF MATERIAL				
MATERIAL				
THE TECHNICAL MATERIEL CORP. MAMARONECK, NEW YORK				
FINISH				
TITLE: DIAGRAM, LOGIC, DETAILED (RTIG-1)				
UNLESS OTHERWISE SPECIFIED DIMENSIONS ARE IN INCHES AND INCLUDE CHEMICALLY APPLIED OR PLATED FINISHES				
DRAWN: J.L.	DATE: 7/7/65	CHECKED: J.C.B.		DATE: 7/16/65
ELECT. DES.		DATE: 7/16/65		CK 1009
MECH. DES.		DATE:		SHEET 3 OF 9

REVISIONS					
SYM	DESCRIPTION	DATE	E.M. NO.	DRAFT	CHKD
1	ORIGINAL RELEASE FOR PRODUCTION	1/16/61			



LAST NUMBER USED
AG 25
EF 12
IV 2
NG 28
OG 11

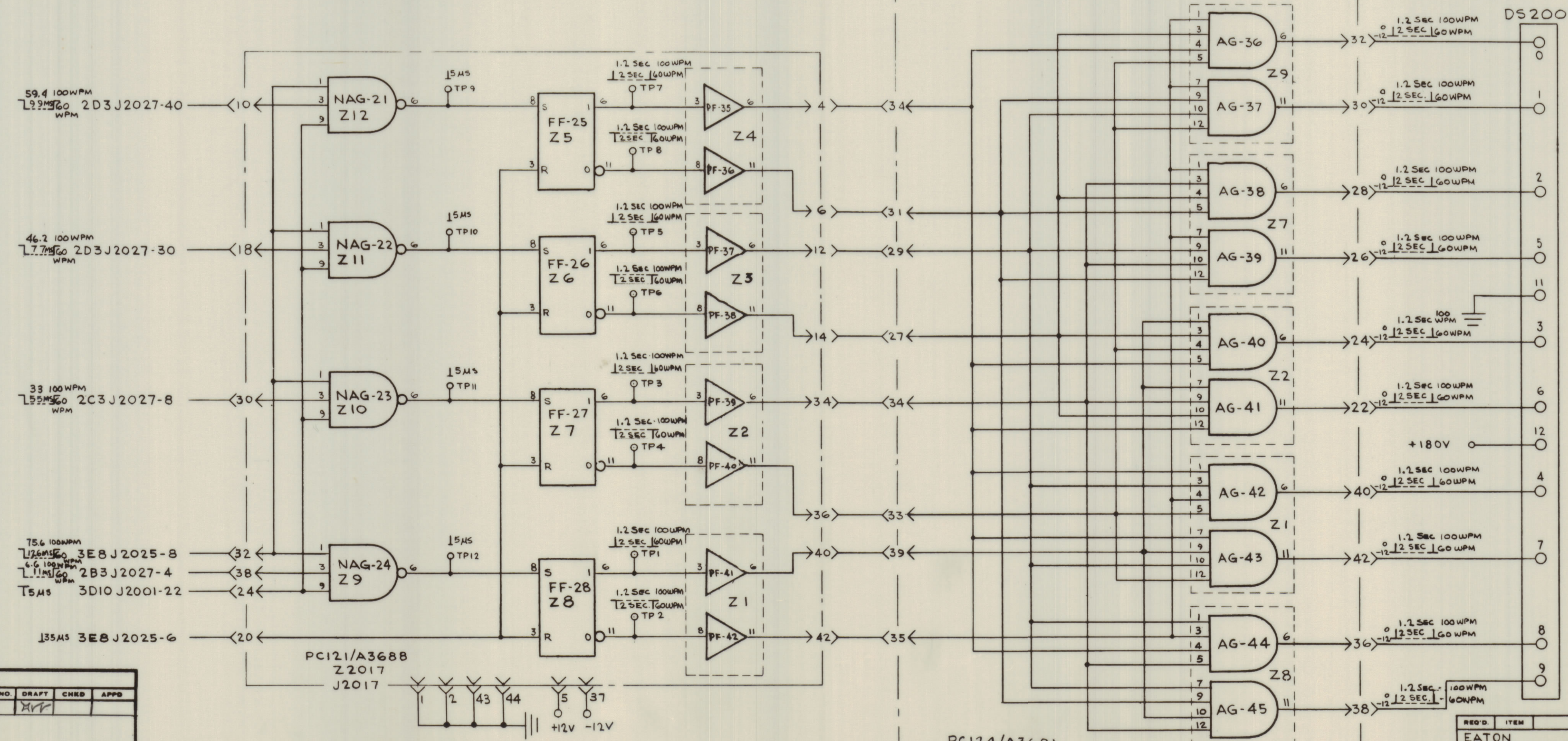
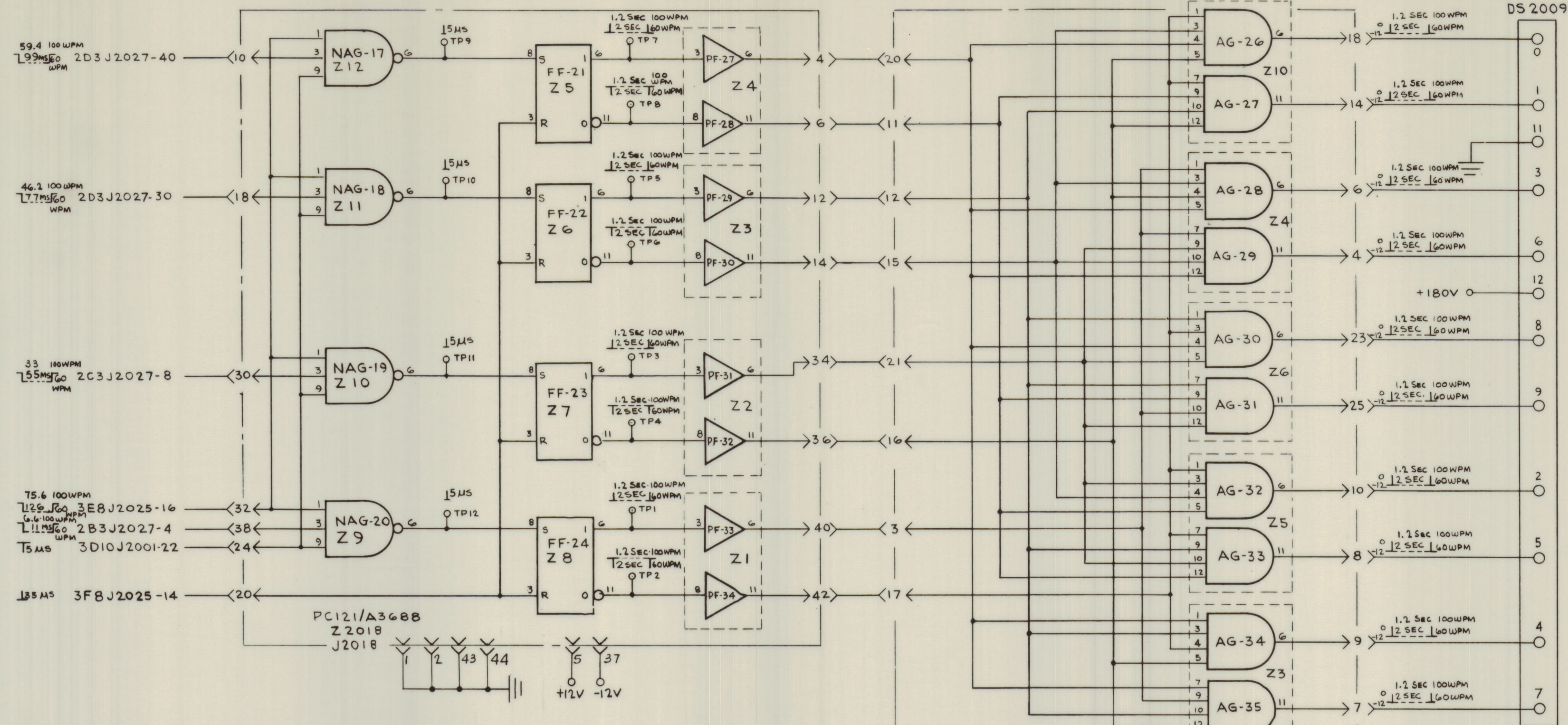
- 3D1J2023-36
- 3D1J2023-34
- 4B4J2019-13
- 3E1J2023-3
- 4B4J2019-29
- 3F1J2023-29
- 3G1J2023-12
- 3F1J2023-6
- 3G1J2023-10
- 3F1J2023-4
- 3B1J2023-8
- 3C1J2023-40
- 3C1J2023-14
- 3C1J2023-42
- 3E1J2023-32
- 3E1J2023-38

REQD	ITEM	PART NUMBER	DESCRIPTION	SYMBOL
EATON LIST OF MATERIAL				
MATERIAL				
FINISH				
UNLESS OTHERWISE SPECIFIED DIMENSIONS ARE IN INCHES AND INCLUDE CHEMICALLY APPLIED OR PLATED FINISHES				
DRAWN		DATE	FINAL APPROVAL	
CHECKED		DATE	DATE	
DECIMALS	FRACTIONS	ELECT. DIM.	TOLERANCES	
±.0008	± 1/64	±.0005	±.0005	
TOLERANCES			DRAWN	
TOLERANCES			SHEET 4 OF 9	
TOLERANCES			REV. LTR.	

THE TECHNICAL MATERIEL CORP.
MAMARONECK, NEW YORK

TITLE
DIAGRAM, LOGIC, DETAILED
(RTIG-1)

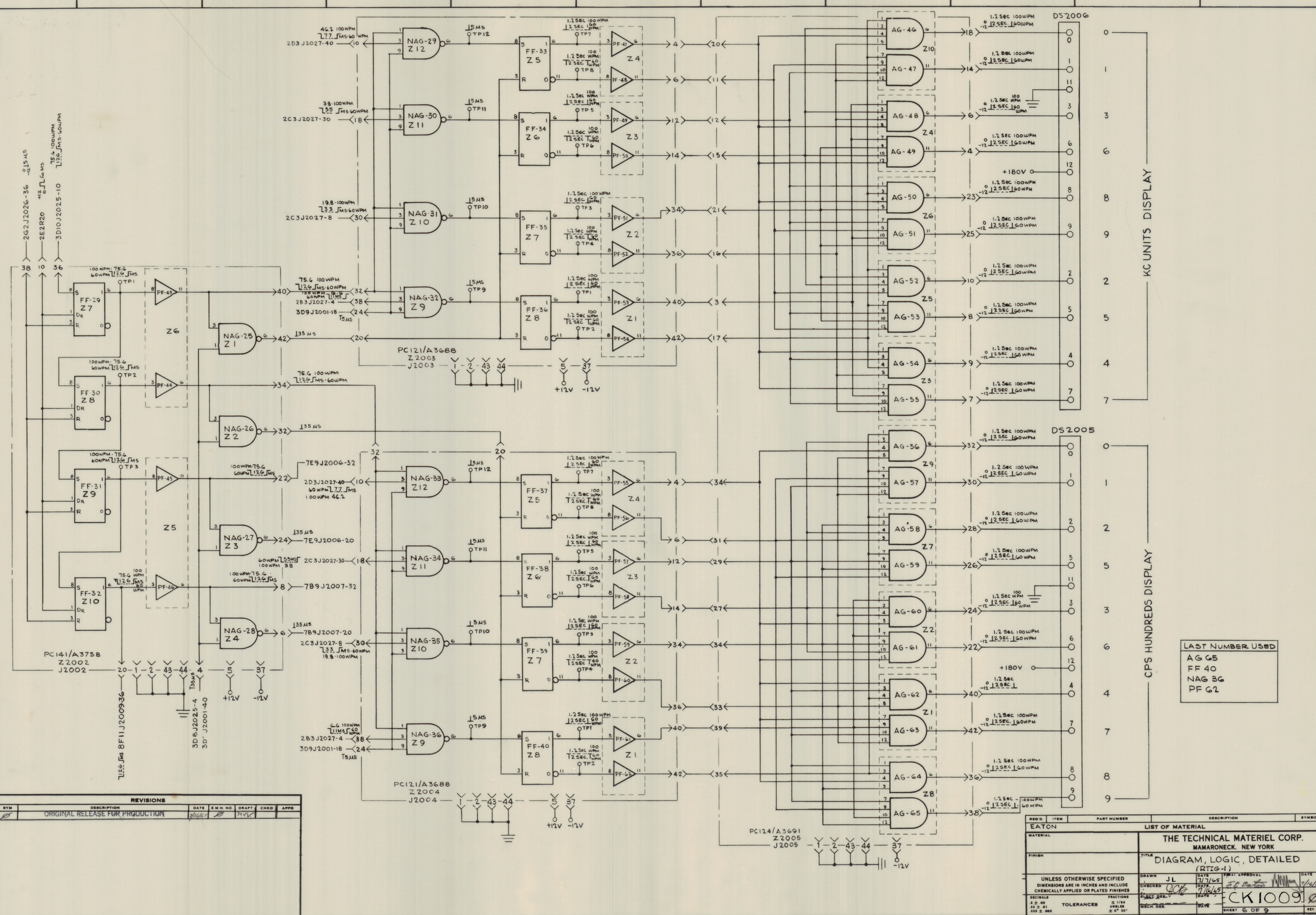
CK 1009



LAST NUMBER USED	
AG	45
FF	28
NAG	24
PF	42

REVISIONS				
SYM	DESCRIPTION	DATE	E.N. NO.	DRAFT
	ORIGINAL RELEASE FOR PRODUCTION	7/14/65		

REQ'D.	ITEM	PART NUMBER	DESCRIPTION	SYMBOL
EATON LIST OF MATERIAL				
MATERIAL				
THE TECHNICAL MATERIEL CORP.				
MAMARONECK, NEW YORK				
FINISH				
TITLE DIAGRAM, LOGIC DETAILED (RTIG-1)				
UNLESS OTHERWISE SPECIFIED DIMENSIONS ARE IN INCHES AND INCLUDE CHEMICALLY APPLIED OR PLATED FINISHES				
DRAWN	JL	DATE	7/7/65	APPROVAL
CHECKED	QCB	DATE	7/16/65	
ELECT. DESK		DATE		
MECH. DESK		DATE		
DECIMALS ± .001		FRACTIONS ± 1/64	ANGLES ± 30'	
TOLERANCES ± .001		SHEET 5 OF 9		

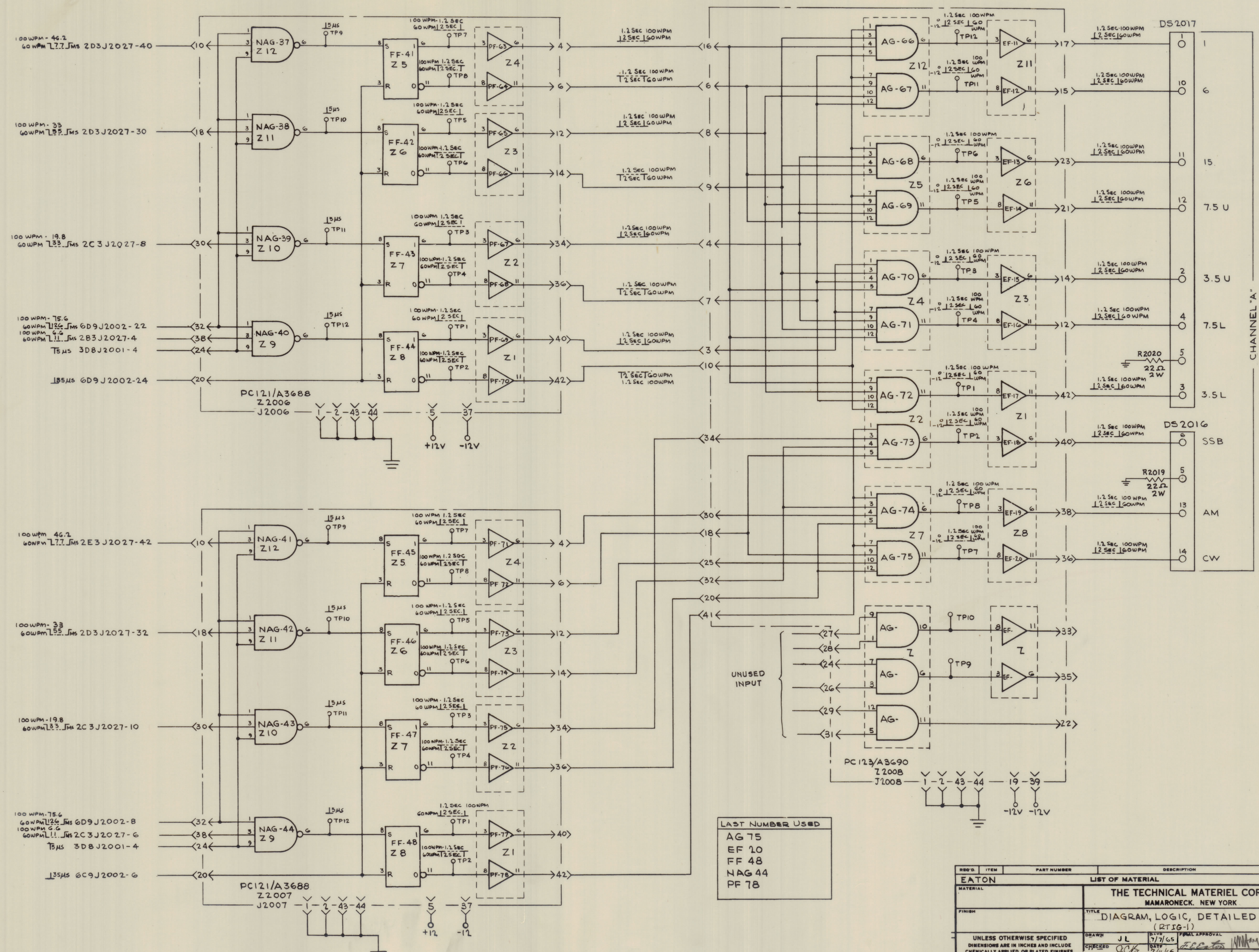


LAST NUMBER USED
 AG 65
 FF 40
 NAG 36
 PF 62

BYN	DESCRIPTION	DATE	EMN NO	DRAFT	CHKD	APPD
	ORIGINAL RELEASE FOR PRODUCTION					

REQ'D	ITEM	PART NUMBER	DESCRIPTION	SYMBOL
EATON				
LIST OF MATERIAL				
THE TECHNICAL MATERIEL CORP. MAMARONECK, NEW YORK				
TITLE: DIAGRAM, LOGIC, DETAILED (RTIG-1)				
UNLESS OTHERWISE SPECIFIED DIMENSIONS ARE IN INCHES AND INCLUDE CHEMICALLY APPLIED OR PLATED FINISHES			DRAWN: JL DATE: 7/7/65 CHECKED: [Signature] DATE: 9/16/65 DESIGNED: [Signature]	PART APPROVAL: [Signature] DATE: 7/16/65 REVISED: [Signature]
DECIMALS	FRACTIONS	TOLERANCES	ECK1009 SHEET 6 OF 9	

REVISIONS					
REV	DESCRIPTION	DATE	BY	CHKD	APPD
1	ORIGINAL RELEASE FOR PRODUCTION	7/16/65	JLV		



LAST NUMBER USED
 AG 75
 EF 10
 FF 48
 NAG 44
 PF 78

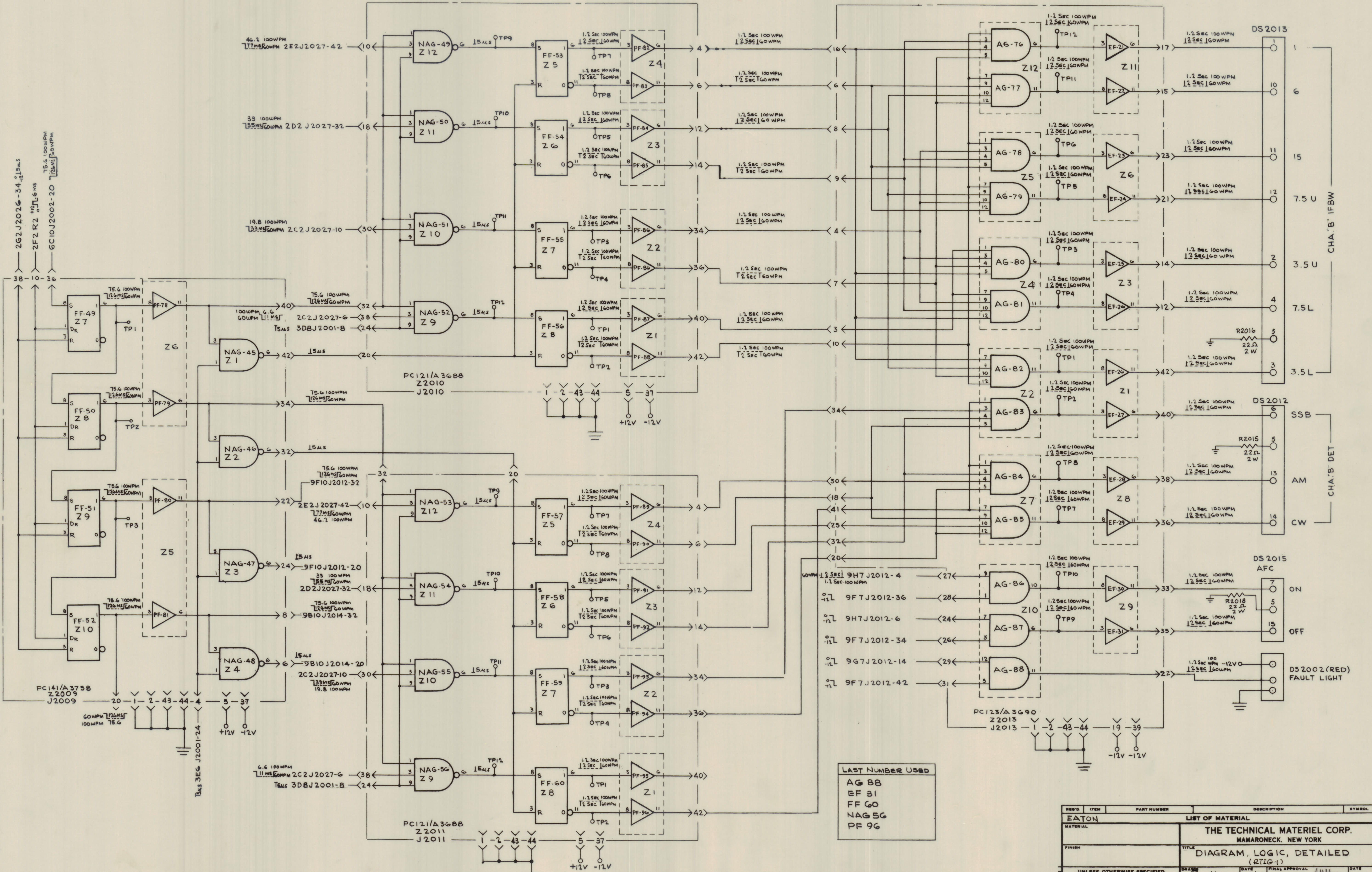
REV'D	ITEM	PART NUMBER	DESCRIPTION	SYMBOL
EATON LIST OF MATERIAL				
MATERIAL				
FINISH				
UNLESS OTHERWISE SPECIFIED DIMENSIONS ARE IN INCHES AND INCLUDE CHEMICALLY APPLIED OR PLATED FINISHES				
DECIMALS FRACTIONS				
TOLERANCES				

THE TECHNICAL MATERIEL CORP. MAMARONECK, NEW YORK			
TITLE DIAGRAM, LOGIC, DETAILED (RTIG-1)			
DRAWN	CHECKED	DATE	DATE
JLV	JLV	7/7/65	7/16/65
ELECT. DES.		DATE	
MECH. DES.		DATE	
TOLERANCES		DATE	
REV. LTR.		DATE	

CHANNEL "A"

A

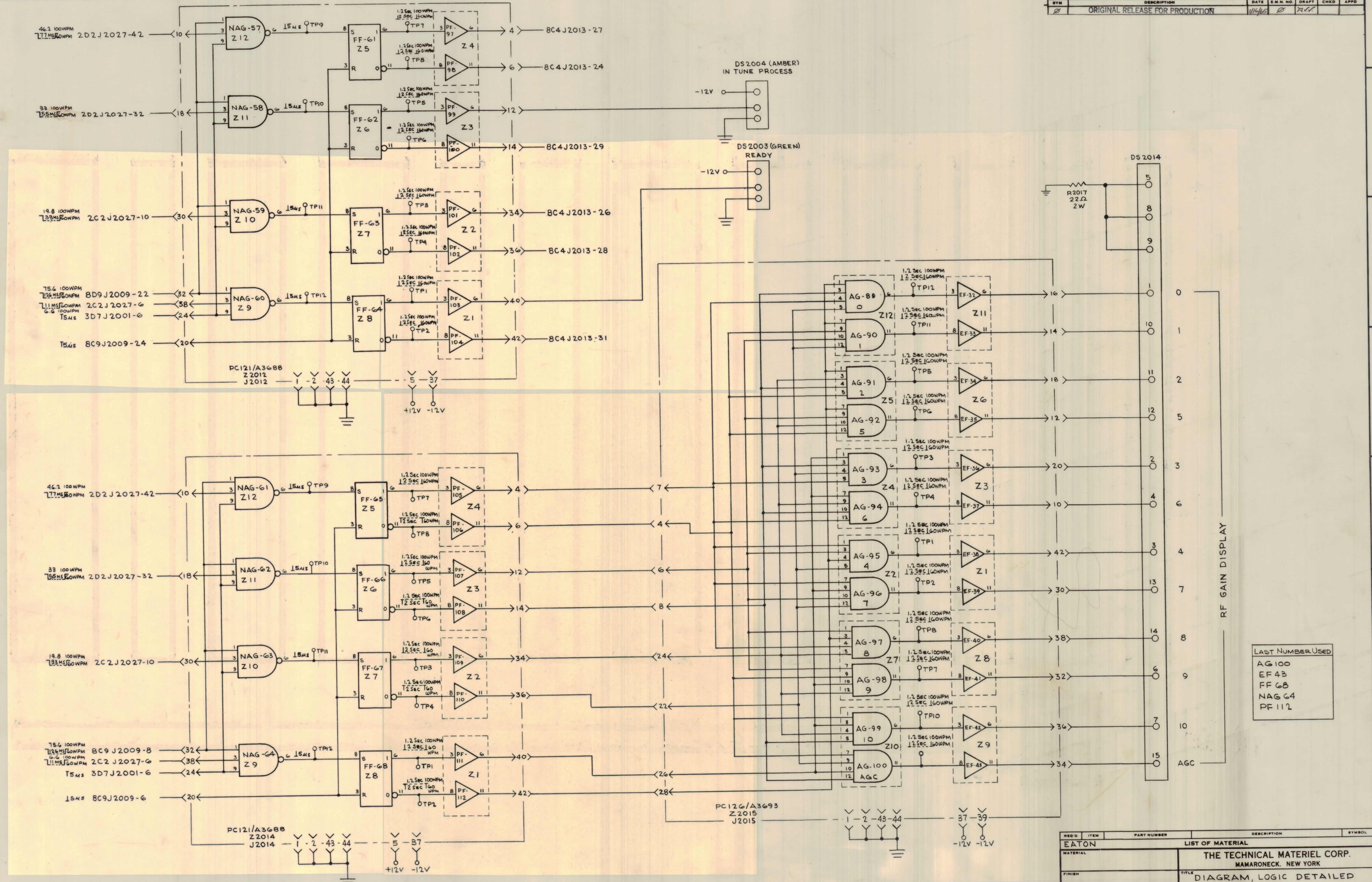
REVISIONS					
BY	DESCRIPTION	DATE	E.S.N. NO.	DRAFT	CHKD
0	ORIGINAL RELEASE FOR PRODUCTION	11/1/65	0		



LAST NUMBER USED
 AG 88
 EF 31
 FF 60
 NAG 56
 PF 96

REV'D	ITEM	PART NUMBER	DESCRIPTION	SYMBOL
EATON LIST OF MATERIAL				
THE TECHNICAL MATERIEL CORP. MAMARONECK, NEW YORK				
DIAGRAM, LOGIC, DETAILED (RTIG-1)				
UNLESS OTHERWISE SPECIFIED DIMENSIONS ARE IN INCHES AND INCLUDE CHEMICALLY APPLIED OR PLATED FINISHES			DATE 11/1/65	DATE 11/1/65
DRAWN JL			CHECKED JLB	DATE 11/1/65
DESIGNED JLB			APPROVED JLB	DATE 11/1/65
TOLERANCES FRACTIONS ±.0005 ±.0010 ±.0020			DATE 11/1/65	DATE 11/1/65
REV. 1009			REV. 110	

REVISIONS					
BY	DESCRIPTION	DATE	E.M.N. NO.	DRAFT	CHKD
1	ORIGINAL RELEASE FOR PRODUCTION	1/14/65			



LAST NUMBER USED
AG 100
EF 43
FF 68
NAG 64
PF 112

REQ'D	ITEM	PART NUMBER	DESCRIPTION	SYMBOL
EATON LIST OF MATERIAL				
MATERIAL THE TECHNICAL MATERIEL CORP. MAMARONECK, NEW YORK				
FINISH TITLE DIAGRAM, LOGIC DETAILED (RTIG-1)				
UNLESS OTHERWISE SPECIFIED DIMENSIONS ARE IN INCHES AND INCLUDE CHEMICALLY APPLIED OR PLATED FINISHES				
DRAWN JL	DATE 7/7/65	APPROVAL	DATE 7/14/65	
CHECKED JCB	DATE			
DECIMALS	FRACTIONS	EL-SEC. USE	DATE	CK1009
±.05	± 1/64	MECH. DES.	DATE	REV 1
±.01	± 6°			