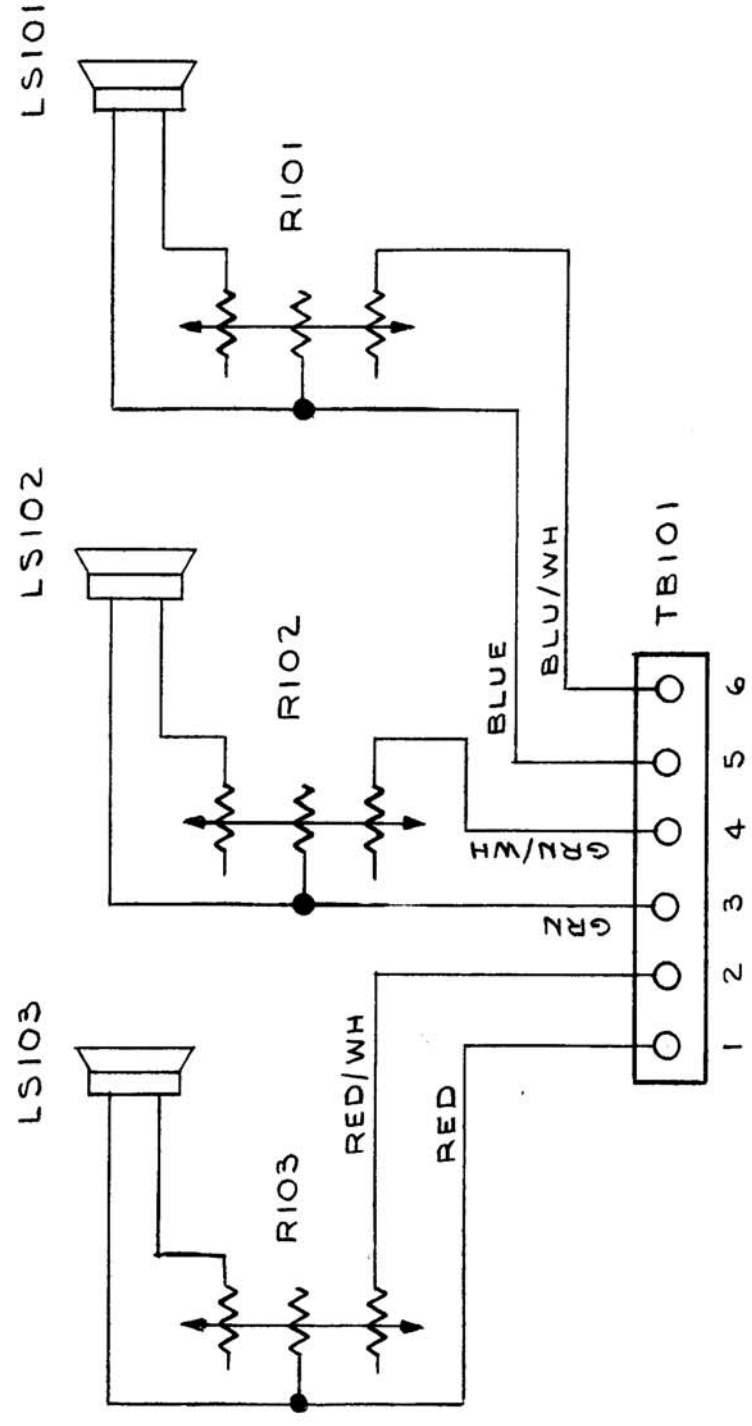


REQ. PER UNIT		USED ON	
1	LSP-8	ASSY. NO.	DATE
1	LSP-8A		1/5/66
			4/12/66

CK1087 A



REQ. ITEM	PART NO.	DESCRIPTION		SYMBOL	
		R. HAY			
<p>THE TECHNICAL MATERIEL CORP. MAMARONECK, NEW YORK</p>					
<p>DIAGRAM, SCHEMATIC</p>					
LSP-8					
JL			10/5/66	CHECKED	DRAWN
TYPE & TEMPER			HEAT TREAT. SPEC.	FINAL APPROVAL	
FINISH & SPEC. NO.			ELEC. DES. APP. MECH. DES. APP.		
SYM		DESCRIPTION	DATE	CH. NO.	DRAFTS
A	Add LSP-8A (Model)		5/4/66	C.C	C.V
Ø	ORIGINAL RELEASE		1/6/66	Ø	
UNLESS OTHERWISE SPECIFIED DIMENSIONS ARE IN INCHES AND INCLUDE CHEMICALLY APPLIED OR PLATED FINISHES			SCALE		
TOLERANCES			FRACTIONS		
.X ± .05			± 1/64		
.XX ± .01			ANGLES		
.XXX ± .005			± 0° 30'		
CK1087A					