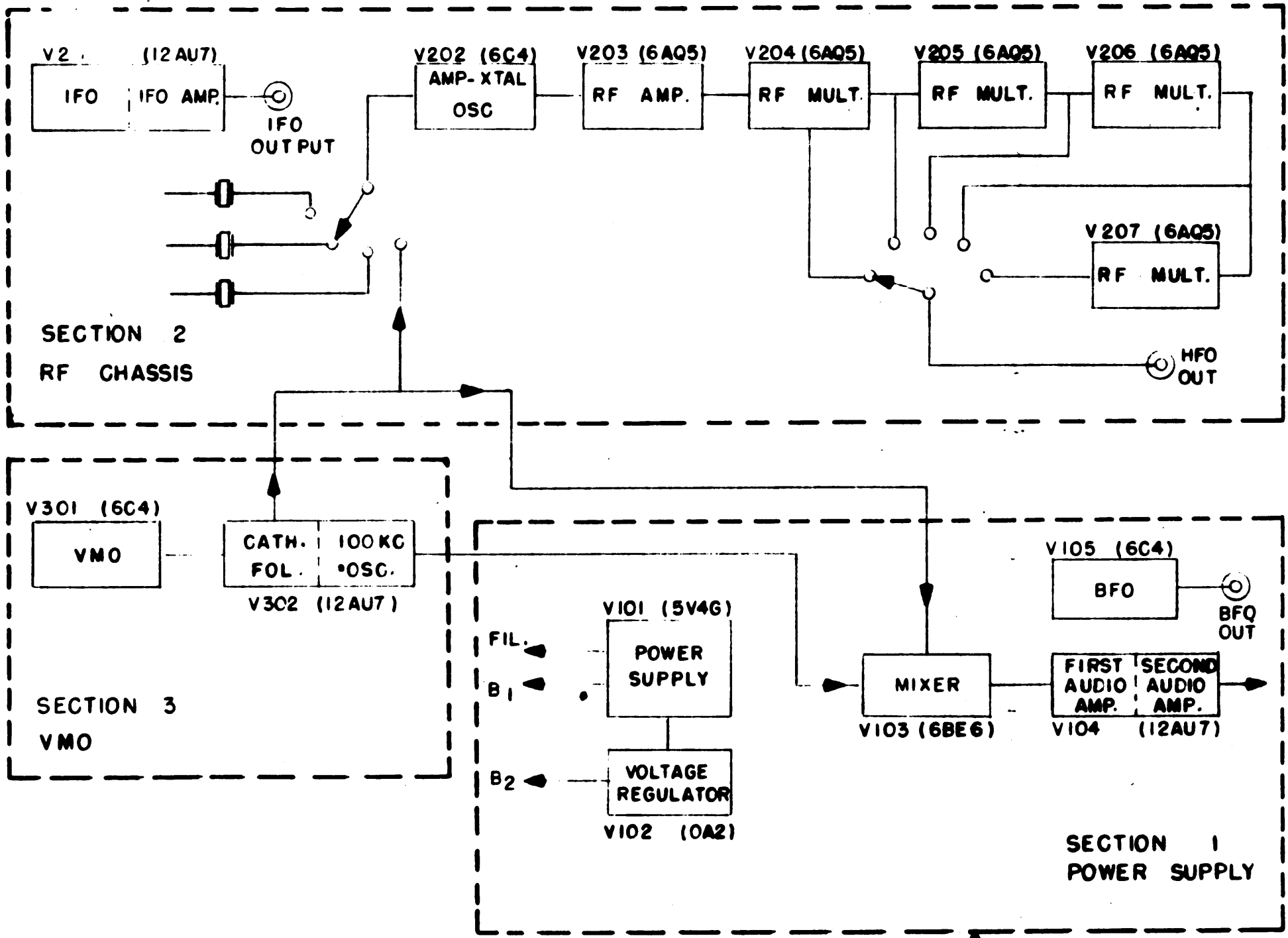


IF IT IS FOUND DESIRABLE TO CHANGE ANY TOLERANCE OR OTHER DETAIL SPECIFIED ON THIS DRAWING NOTIFY THE PURCHASER PROMPTLY.

MAXIMUM ALLOWABLE TOLERANCES HAVE BEEN DETERMINED AND DEVIATIONS WILL BE CAUSE FOR REJECTION. REMOVE ALL BURRS AND SHARP EDGES

CK-106



NOTICE TO PERSONS RECEIVING THIS DRAWING

THE TECHNICAL MATERIEL CORPORATION claims proprietary right in the material disclosed hereon. This drawing is issued in confidence for engineering information only and may not be reproduced or used to manufacture anything shown hereon without permission from THE TECHNICAL MATERIEL CORPORATION to the user. This drawing is loaned for mutual assistance and is subject to recall at any time.

Property of:
THE TECHNICAL MATERIEL CORPORATION
MAMARONECK, NEW YORK

REQ. NO.	ITEM	PART NO.	QTY.	DESCRIPTION	SYMBOL
				THE TECHNICAL MATERIEL CORP. MAMARONECK, NEW YORK	
STOCK SIZE				FUNCTIONAL	
MATERIAL				BLOCK DIAGRAM	
WEIGHT PER PC.				DRAWN: <i>A.J.J.</i> 9/16/52 ELEC. DES. APP.	
TYPE & TEMPER.				CHECKED: <i>[Signature]</i> FINAL APPROVAL	
HEAT TREAT. SPEC.				DATE: 9-13-52 PROJECT NO. 101	
FINISH & SPEC. N.				CK-106	

ISSUE	ITEM	CHANGED FROM	DATE	CN. NO.	DRAFTS	CHECKER	ENG. APP.
TOLERANCES							
SCALE:				DRILL, PUNCH, COMMERCIAL STOCK SIZES AND MANUFACTURERS TOLERANCES ARE NOT INCLUDED.			
ALL THERE DEC. DIM. ± PRAC. DIM. ± ANGULAR DIM. ±							

VOX	101	9-13-52
M DEL	PROJECT NO.	ASSY. NO.
USED ON		