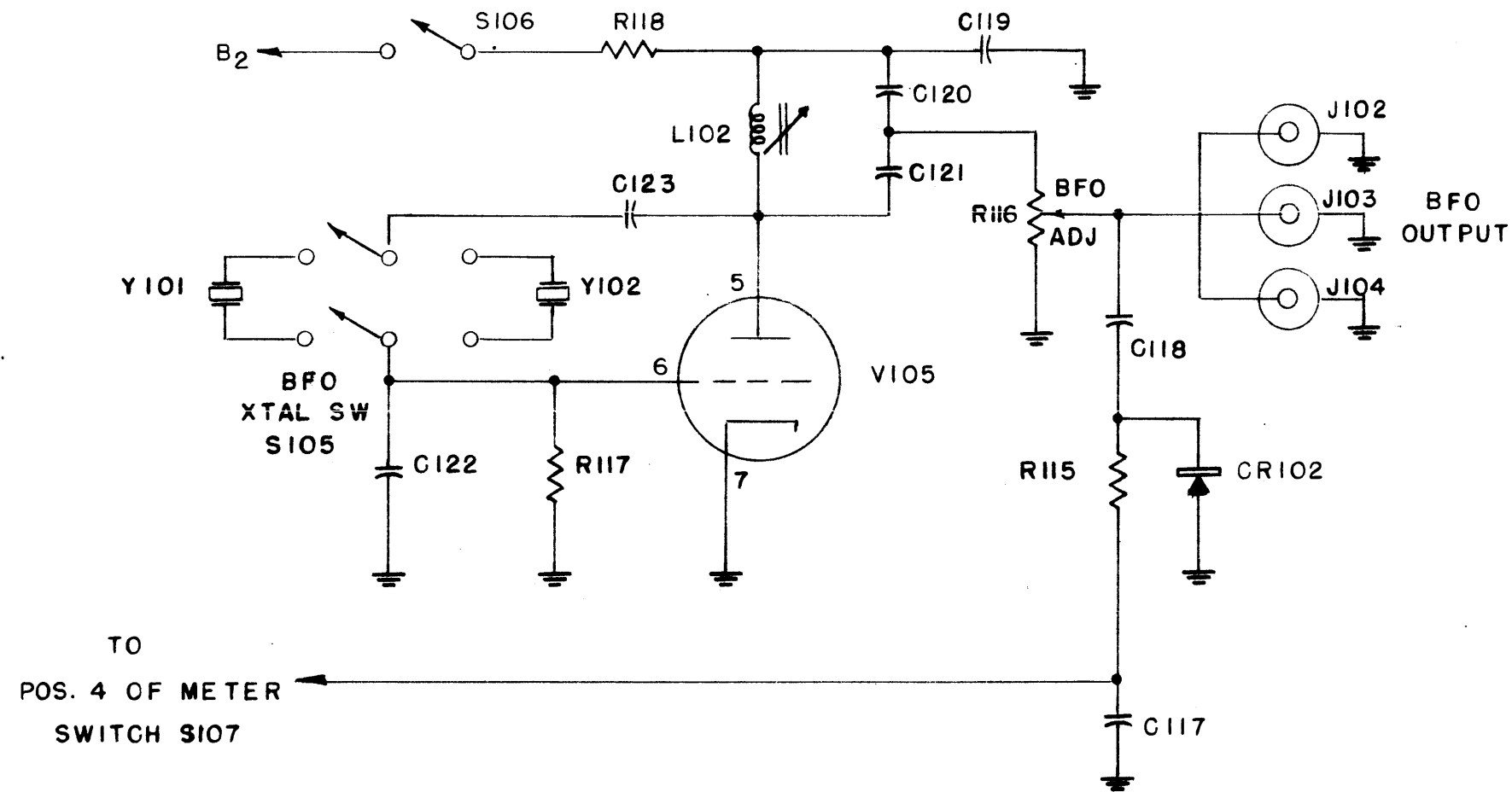


IF IT IS FOUND DESIRABLE TO CHANGE ANY TOLERANCE OR OTHER DETAIL SPECIFIED ON THIS DRAWING NOTIFY THE PURCHASER PROMPTLY.

MAXIMUM ALLOWABLE TOLERANCES HAVE BEEN DETERMINED AND DEVIATIONS WILL BE CAUSE FOR REJECTION. REMOVE ALL BURRS AND SHARP EDGES

CK-108



**NOTICE TO PERSONS RECEIVING THIS DRAWING**

THE TECHNICAL MATERIEL CORPORATION claims proprietary right in the material disclosed herein. This drawing is issued in confidence for providing information only and may not be reproduced or used to manufacture anything shown hereon without permission from THE TECHNICAL MATERIEL CORPORATION to the user. This drawing is loaned for mutual assistance and is subject to recall at any time.

Property of:  
THE TECHNICAL MATERIEL CORPORATION  
MAMARONECK, NEW YORK

REQ.	ITEM	PART NO.	DESCRIPTION	SYMBOL
			<b>THE TECHNICAL MATERIEL CORP.</b>	
			MAMARONECK, NEW YORK	
			<b>BFO CIRCUIT</b>	
STOCK SIZE				
MATERIAL		WEIGHT PER PC.		
TYPE & TEMPER				
DRAWN		ELEC. DES. APP.	MECH. DES. APP.	
HEAT TREAT. SPEC.		DRAWN <i>DRD 9-18-52</i>		
FINISH & SPEC. NO.		CHECKED _____ FINAL APPROVAL _____		
		<b>CK-108</b>		

ISSUE	ITEM	CHANGED FROM	DATE	CN. NO.	DRAFTS	CHECKER	ENG. APP.
TOLERANCES		SCALE:					
ALL OTHERS		DRILL, PUNCH, COMMERCIAL STOCK SIZES AND MANUFACTURERS TOLERANCES ARE NOT INCLUDED.					

VOX

9-15-52

MODEL PROJECT NO. ASSY. NO. DATE

USED ON