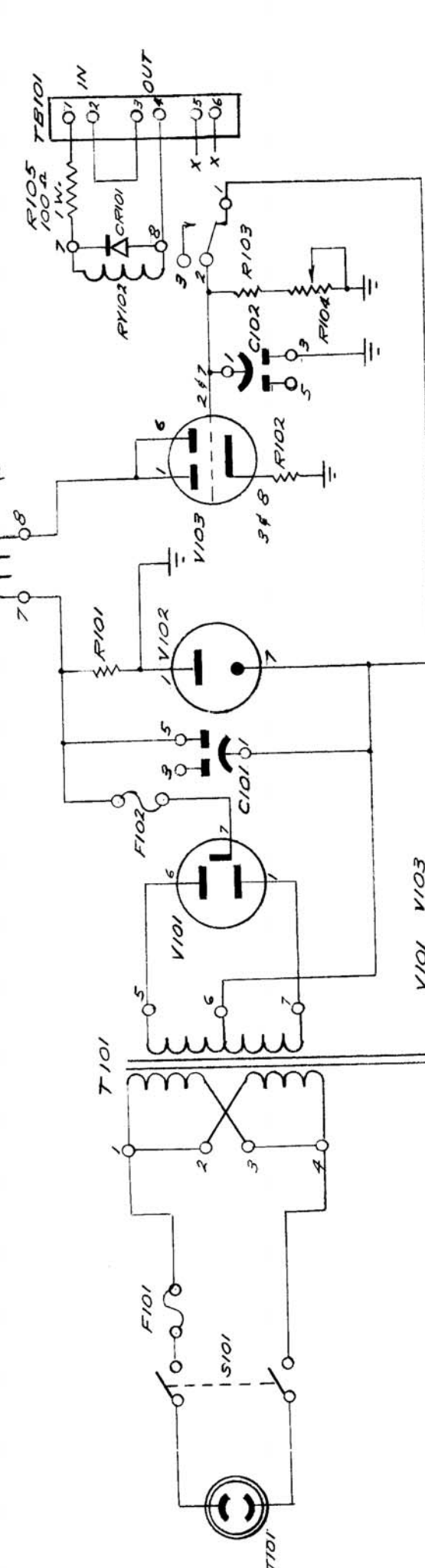
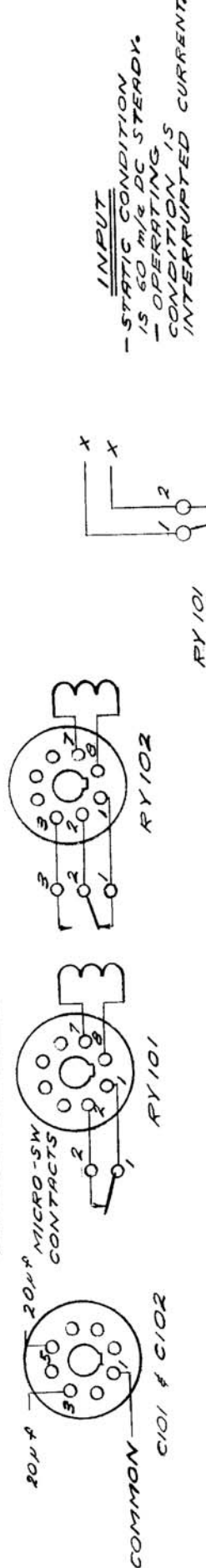


BASE CONNECTIONS



NOTES:

1- RY101 & RY102 CONTACTS SHOWN IN DE-ENERGIZED POSITION. (RECEIVING - SIGNAL)

2- TERMINAL NO. 4 OF TB101 MUST BE POSITIVE WITH RESPECT TO TERMINAL NO. 1

FIGURE 7-1 Schematic Diagram MODEL SCU-3

24-2-65 CK 10456 Appr.

15