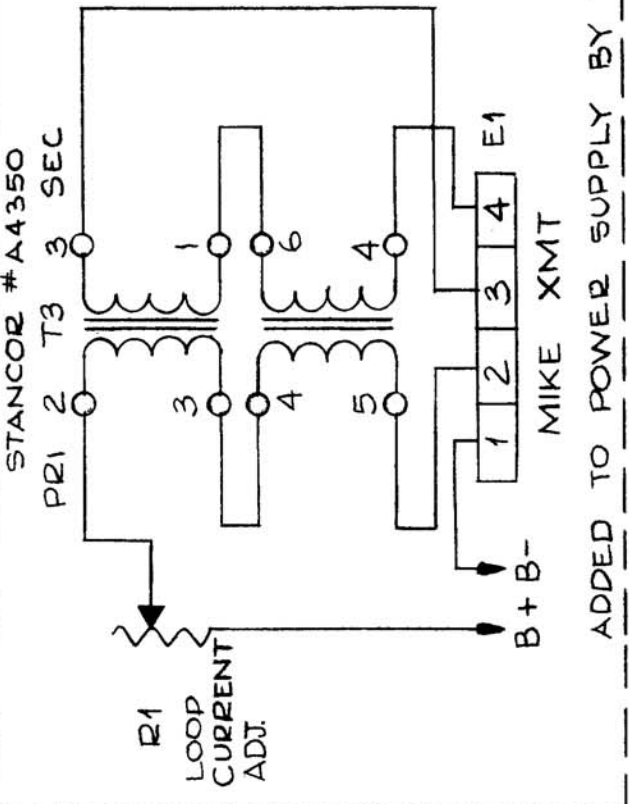
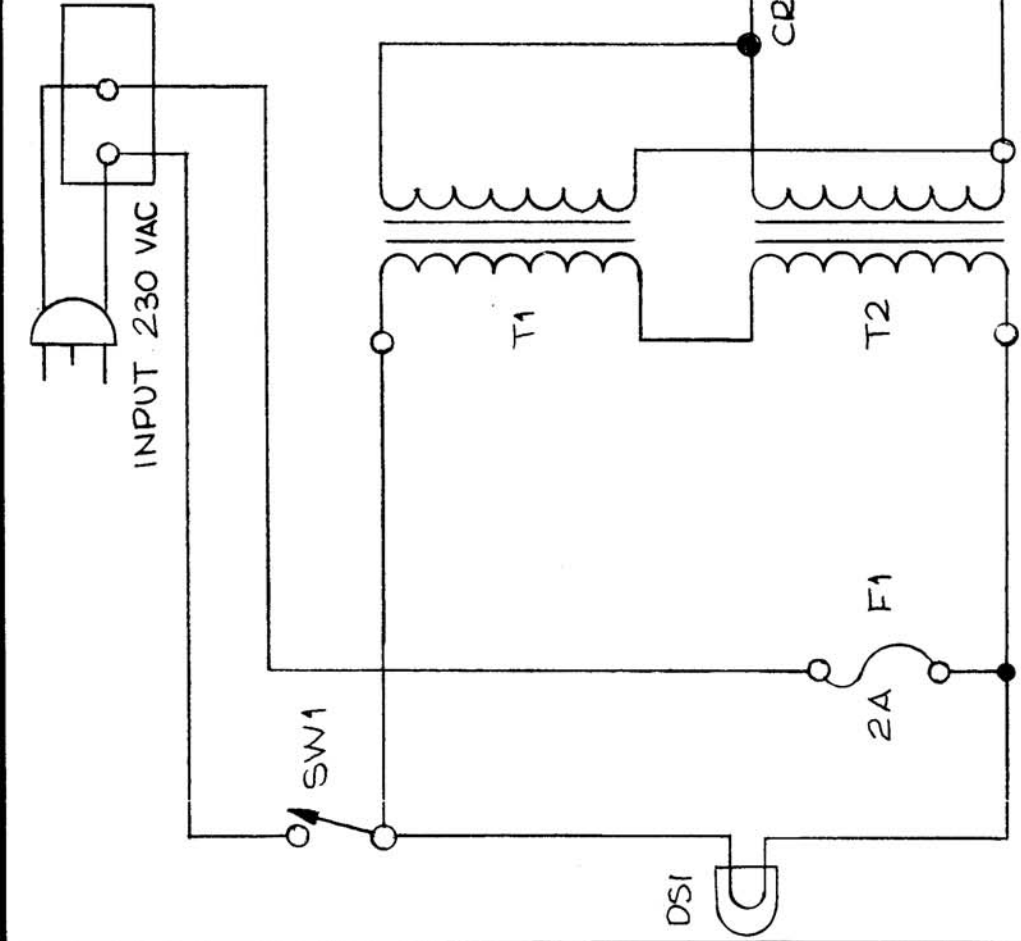


CK1109  $\emptyset$

USED ON	
REQ. PER UNIT	ASSY. NO.
	DATE
	4-1-66
MODEL	
G48/230 VAC AP134	
STANCOR # A4350	
PRI 2 T3 3 SEC	



ADDED TO POWER SUPPLY BY TMC



REQ. ITEM	PART NO.	STURMER	DESCRIPTION	SYMBOL
	#		THE TECHNICAL MATERIEL CORP. MAMARONECK. NEW YORK	
	#		DIAGRAM, SCHEMATIC	
	#		MATERIAL	
	#		TYPE & TEMPER	
	#		HEAT TREAT. SPEC.	
	#		FINISH & SPEC. NO.	
			DATE	
			6/3/66	
			CV	
			DATE	
			5/23/66	
			JAD	
			CH. NO.	
			DRAFTS	
			CHECKER	
			ENG. APP.	
			SCALE	
			DESCRIPTION	
			UNLESS OTHERWISE SPECIFIED DIMENSIONS ARE IN INCHES AND INCLUDE CHEMICALLY APPLIED OR PLATED FINISHES	
			TOLERANCES	
			FRACTIONS $\pm 1/64$ ANGLES $\pm 0^\circ 30'$	
			DECIMALS .X $\pm .05$ .XX $\pm .01$ .XXX $\pm .005$	
			ORIGINAL RELEASE FOR PRODUCTION	
			E1 CLARIFIED	
			DRAWN	
			WVS	
			CHECKED	
			WVS	
			MECH. DES. APP.	
			WVS	
			ELEC. DES. APP.	
			WVS	
			MECH. DES. APP.	
			WVS	
			FINAL APPROVAL	
			CK1109 $\emptyset$	