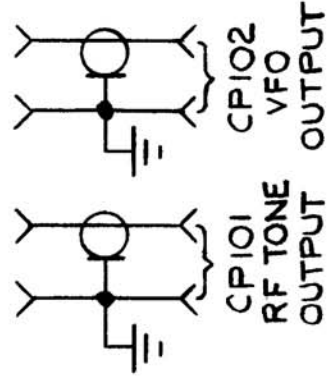
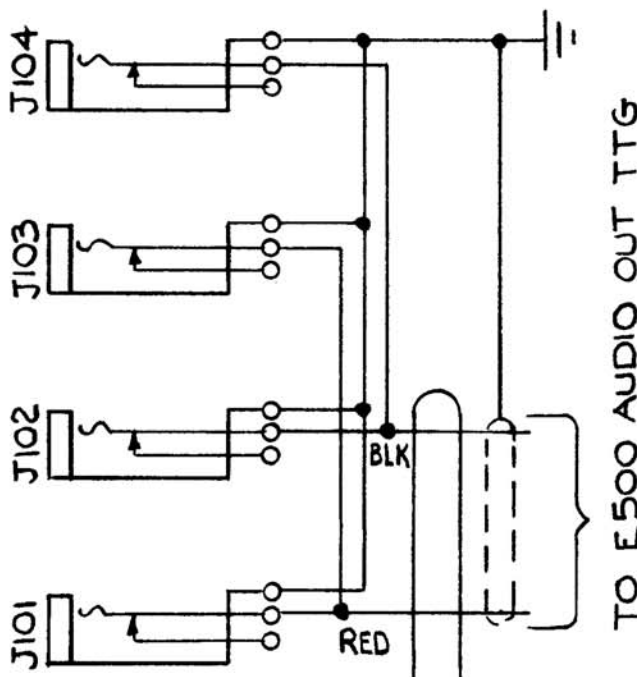


REQ. PER UNIT	USED ON	CK 1140	Ø
MODEL	ASSY. NO.	DATE	
PTC-4A	AX 644		



REQ. ITEM	PART NO.	DESCRIPTION	SYMBOL
		POSE	
		THE TECHNICAL MATERIEL CORP. MAMARONECK. NEW YORK	
		SCHEMATIC, DIAGRAM (AX 644)	
		STOCK SIZE	
		MATERIAL	
		TYPE & TEMPER	
		HEAT TREAT. SPEC.	
		CHECKED	
		DRAWN	
		MECH. DES. APP.	
		FINISH & SPEC. NO.	
		ELEC. DES. APP.	
		MECH. DES. APP.	
		DATE	
		CH. NO.	
		DRAFTS	
		CHECKER	
		ENG. APP.	
		DATE	
		CH. NO.	
		DRAFTS	
		CHECKER	
		ENG. APP.	
		DATE	
		CH. NO.	
		DRAFTS	
		CHECKER	
		ENG. APP.	
		DATE	
		CH. NO.	
		DRAFTS	
		CHECKER	
		ENG. APP.	
		DATE	
		CH. NO.	
		DRAFTS	
		CHECKER	
		ENG. APP.	
		DATE	
		CH. NO.	
		DRAFTS	
		CHECKER	
		ENG. APP.	
		DATE	
		CH. NO.	
		DRAFTS	
		CHECKER	
		ENG. APP.	
		DATE	
		CH. NO.	
		DRAFTS	
		CHECKER	
		ENG. APP.	
		DATE	
		CH. NO.	
		DRAFTS	
		CHECKER	
		ENG. APP.	
		DATE	
		CH. NO.	
		DRAFTS	
		CHECKER	
		ENG. APP.	
		DATE	
		CH. NO.	
		DRAFTS	
		CHECKER	
		ENG. APP.	
		DATE	
		CH. NO.	
		DRAFTS	
		CHECKER	
		ENG. APP.	
		DATE	
		CH. NO.	
		DRAFTS	
		CHECKER	
		ENG. APP.	
		DATE	
		CH. NO.	
		DRAFTS	
		CHECKER	
		ENG. APP.	
		DATE	
		CH. NO.	
		DRAFTS	
		CHECKER	
		ENG. APP.	
		DATE	
		CH. NO.	
		DRAFTS	
		CHECKER	
		ENG. APP.	
		DATE	
		CH. NO.	
		DRAFTS	
		CHECKER	
		ENG. APP.	
		DATE	
		CH. NO.	
		DRAFTS	
		CHECKER	
		ENG. APP.	
		DATE	
		CH. NO.	
		DRAFTS	
		CHECKER	
		ENG. APP.	
		DATE	
		CH. NO.	
		DRAFTS	
		CHECKER	
		ENG. APP.	
		DATE	
		CH. NO.	
		DRAFTS	
		CHECKER	
		ENG. APP.	
		DATE	
		CH. NO.	
		DRAFTS	
		CHECKER	
		ENG. APP.	
		DATE	
		CH. NO.	
		DRAFTS	
		CHECKER	
		ENG. APP.	
		DATE	
		CH. NO.	
		DRAFTS	
		CHECKER	
		ENG. APP.	
		DATE	
		CH. NO.	
		DRAFTS	
		CHECKER	
		ENG. APP.	
		DATE	
		CH. NO.	
		DRAFTS	
		CHECKER	
		ENG. APP.	
		DATE	
		CH. NO.	
		DRAFTS	
		CHECKER	
		ENG. APP.	
		DATE	
		CH. NO.	
		DRAFTS	
		CHECKER	
		ENG. APP.	
		DATE	
		CH. NO.	
		DRAFTS	
		CHECKER	
		ENG. APP.	
		DATE	
		CH. NO.	
		DRAFTS	
		CHECKER	
		ENG. APP.	
		DATE	
		CH. NO.	
		DRAFTS	
		CHECKER	
		ENG. APP.	
		DATE	
		CH. NO.	
		DRAFTS	
		CHECKER	
		ENG. APP.	
		DATE	
		CH. NO.	
		DRAFTS	
		CHECKER	
		ENG. APP.	
		DATE	
		CH. NO.	
		DRAFTS	
		CHECKER	
		ENG. APP.	
		DATE	
		CH. NO.	
		DRAFTS	
		CHECKER	
		ENG. APP.	
		DATE	
		CH. NO.	
		DRAFTS	
		CHECKER	
		ENG. APP.	
		DATE	
		CH. NO.	
		DRAFTS	
		CHECKER	
		ENG. APP.	
		DATE	
		CH. NO.	
		DRAFTS	
		CHECKER	
		ENG. APP.	
		DATE	
		CH. NO.	
		DRAFTS	
		CHECKER	
		ENG. APP.	
		DATE	
		CH. NO.	
		DRAFTS	
		CHECKER	
		ENG. APP.	
		DATE	
		CH. NO.	
		DRAFTS	
		CHECKER	
		ENG. APP.	
		DATE	
		CH. NO.	
		DRAFTS	
		CHECKER	
		ENG. APP.	
		DATE	
		CH. NO.	
		DRAFTS	
		CHECKER	
		ENG. APP.	
		DATE	
		CH. NO.	
		DRAFTS	
		CHECKER	
		ENG. APP.	
		DATE	
		CH. NO.	
		DRAFTS	
		CHECKER	
		ENG. APP.	
		DATE	
		CH. NO.	
		DRAFTS	
		CHECKER	
		ENG. APP.	
		DATE	
		CH. NO.	
		DRAFTS	
		CHECKER	
		ENG. APP.	
		DATE	
		CH. NO.	
		DRAFTS	
		CHECKER	
		ENG. APP.	
		DATE	
		CH. NO.	
		DRAFTS	
		CHECKER	
		ENG. APP.	
		DATE	
		CH. NO.	
		DRAFTS	
		CHECKER	
		ENG. APP.	
		DATE	
		CH. NO.	
		DRAFTS	
		CHECKER	
		ENG. APP.	
		DATE	
		CH. NO.	
		DRAFTS	
		CHECKER	
		ENG. APP.	
		DATE	
		CH. NO.	
		DRAFTS	
		CHECKER	
		ENG. APP.	
		DATE	
		CH. NO.	
		DRAFTS	
		CHECKER	
		ENG. APP.	
		DATE	
		CH. NO.	
		DRAFTS	
		CHECKER	
		ENG. APP.	
		DATE	
		CH. NO.	
		DRAFTS	
		CHECKER	
		ENG. APP.	
		DATE	
		CH. NO.	
		DRAFTS	
		CHECKER	
		ENG. APP.	
		DATE	
		CH. NO.	
		DRAFTS	
		CHECKER	
		ENG. APP.	
		DATE	
		CH. NO.	
		DRAFTS	
		CHECKER	
		ENG. APP.	
		DATE	
		CH. NO.	
		DRAFTS	
		CHECKER	
		ENG. APP.	
		DATE	
		CH. NO.	
		DRAFTS	
		CHECKER	
		ENG. APP.	
		DATE	
		CH. NO.	
		DRAFTS	
		CHECKER	
		ENG. APP.	
		DATE	
		CH. NO.	
		DRAFTS	
		CHECKER	
		ENG. APP.	
		DATE	
		CH. NO.	
		DRAFTS	
		CHECKER	
		ENG. APP.	
		DATE	
		CH. NO.	
		DRAFTS	
		CHECKER	
		ENG. APP.	
		DATE	
		CH. NO.	
		DRAFTS	
		CHECKER	
		ENG. APP.	
		DATE	
		CH. NO.	
		DRAFTS	
		CHECKER	
		ENG. APP.	
		DATE	
		CH. NO.	
		DRAFTS	
		CHECKER	
		ENG. APP.	
		DATE	
		CH. NO.	
		DRAFTS	
		CHECKER	
		ENG. APP.	
		DATE	
		CH. NO.	
		DRAFTS	
		CHECKER	
		ENG. APP.	
		DATE	
		CH. NO.	
		DRAFTS	
		CHECKER	
		ENG. APP.	
		DATE	
		CH. NO.	
		DRAFTS	
		CHECKER	
		ENG. APP.	
		DATE	
		CH. NO.	
		DRAFTS	
		CHECKER	
		ENG. APP.	
		DATE	
		CH. NO.	
		DRAFTS	
		CHECKER	
		ENG. APP.	
		DATE	
		CH. NO.	
		DRAFTS	
		CHECKER	
		ENG. APP.	
		DATE	
		CH. NO.	
		DRAFTS	
		CHECKER	
		ENG. APP.	
	</		