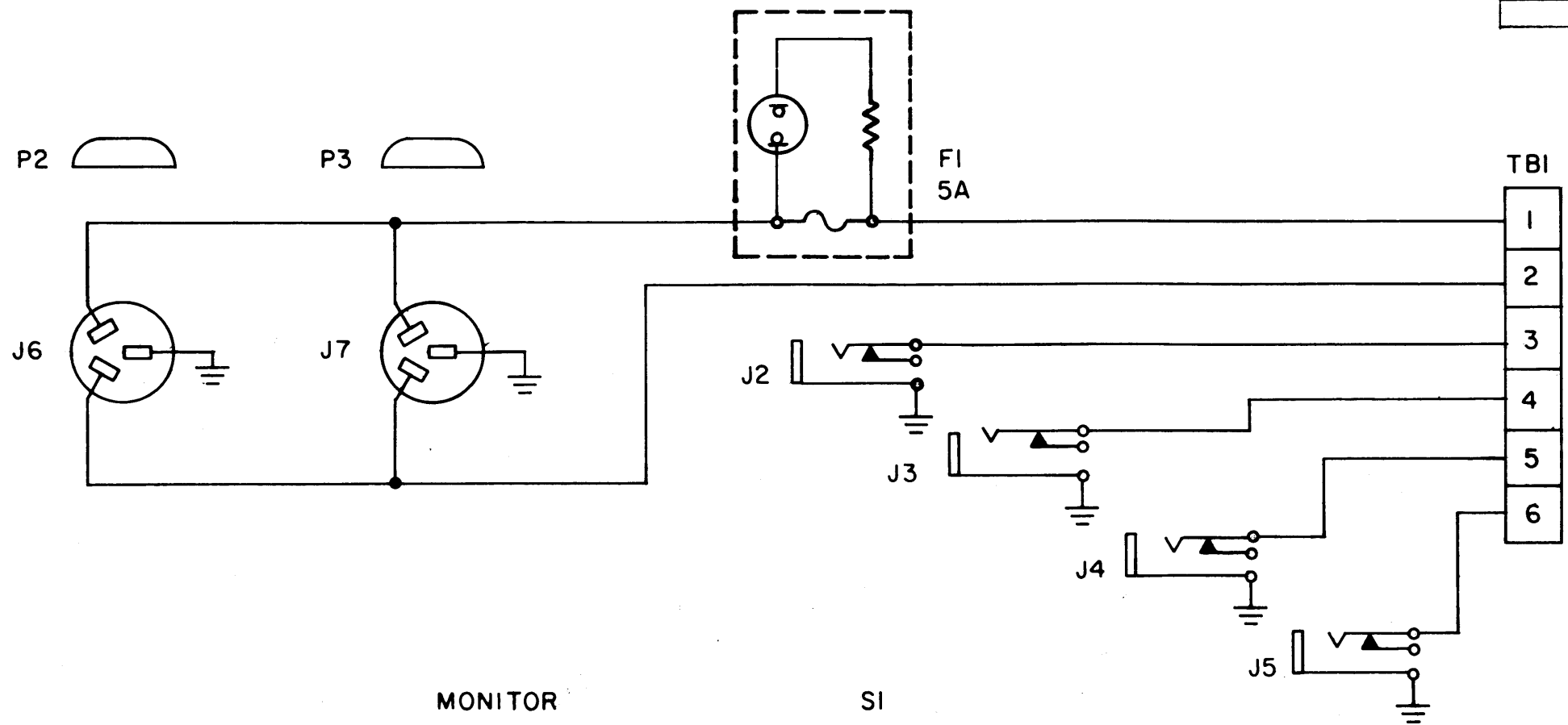
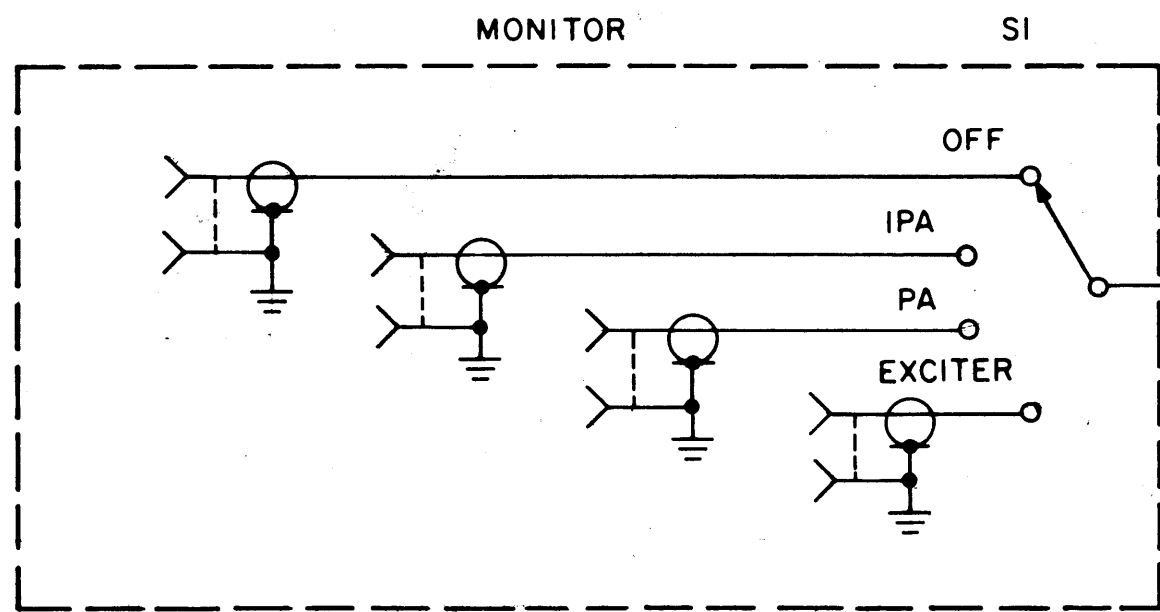


REVISIONS						
ZONE	LTR	DESCRIPTION	DATE	E.M.N.NO	DRAFT	CHKD
	X	EXPERIMENTAL RELEASE	4-27-67		L.A.K.	<i>[Signature]</i>
	Ø	ORIG RELEASE FOR PROD	4/28/67	Ø	CV	<i>[Signature]</i>



LAST SYMBOL	MISSING SYMBOL
FI	
J7	
P7	P4,P5
SI	
TBI	
W2	WI



REQ'D	ITEM	PART NUMBER	DESCRIPTION	SYM.
F. BUDETTI LIST OF MATERIAL				

QTY / UNIT	MODEL USED ON	ASS'Y NO.
	APP-15	
APPLICATION		
	CODE	

UNLESS OTHERWISE SPECIFIED DIMENSIONS ARE IN INCHES AND INCLUDE CHEMICALLY APPLIED OR PLATED FINISHES		DATE
DECIMALS	FRACTIONS	DATE
.X ± .05	1/64	
.XX ± .01	TOLS. ANGLES	DATE
.XXX ± .005	0°-30'	
MATERIAL	DRAWN	DATE
	L. KOLIBABEK	4-27-67
FINISH	M/L <i>[Signature]</i>	

THE TECHNICAL MATERIEL CORP.
MAMARONECK, NEW YORK

SCHEMATIC DIAGRAM

NOTICE TO PERSONS RECEIVING THIS DRAWING
THE TECHNICAL MATERIEL CORPORATION claims proprietary right in the material disclosed hereon. This drawing is issued in confidence for engineering information only and may not be reproduced or used to manufacture anything shown hereon without permission from THE TECHNICAL MATERIEL CORPORATION to the user. This drawing is loaned for mutual assistance and is subject to recall at any time.

SIZE	CODE IDENT. NO.	DWG NO.	ISSUE
B	82679	CK1241	Ø
SCALE	SHEET		OF