

5

4

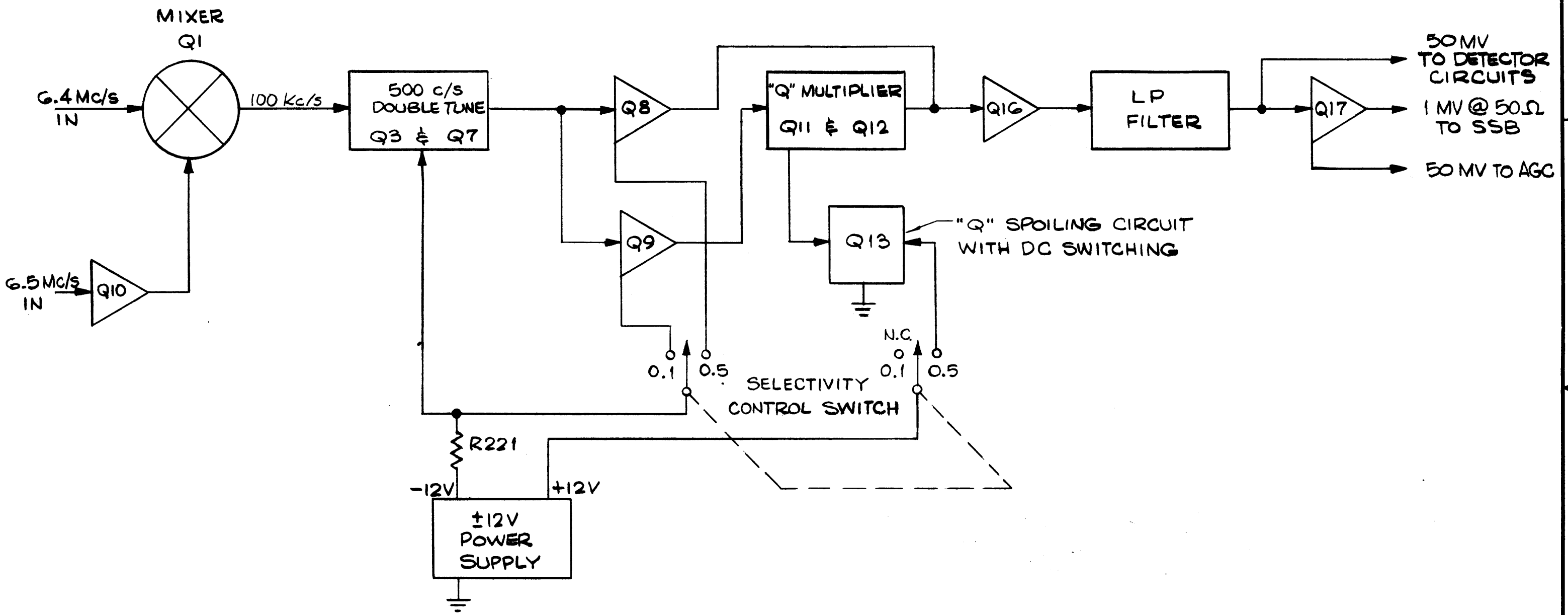
3

2

1

DC SWITCHED BUFFER AMPLIFIERS & CONSTANT OUTPUT VOLTAGE CONTROLS

REVISIONS							
ZONE	LTR	DESCRIPTION	DATE	E.M.N.NO	DRAFT	CHKD	APPD
	X	EXPERIMENTAL RELEASE	6-1-67	-	NRQ	<i>[Signature]</i>	<i>[Signature]</i>
	Ø	ORIGINAL RELEASE	8/4/67	Ø		<i>[Signature]</i>	<i>[Signature]</i>



REQ'D	ITEM	PART NUMBER	DESCRIPTION	SYM.
A-MARTINENGO LIST OF MATERIAL				
FINAL APPROVAL		<i>[Signature]</i>	DATE 8-4-67	
MECH. DES.		<i>[Signature]</i>	DATE	
ELECT. DES.			DATE	
CHECKED		<i>[Signature]</i>	DATE 8-4-67	
DRAWN		<i>[Signature]</i>	DATE 5-31-67	
SIZE	CODE IDENT. NO.	DWG NO.	ISSUE	
B	82679	CK1377	Ø	
SCALE	<i>[Signature]</i>		SHEET	OF

QTY / UNIT	MODEL USED ON	ASS'Y NO.
	VLRC-1	
APPLICATION		
	CODE	

UNLESS OTHERWISE SPECIFIED DIMENSIONS ARE IN INCHES AND INCLUDE CHEMICALLY APPLIED OR PLATED FINISHES

DECIMALS .X ± .05 .XX ± .01 .XXX ± .005

FRACTIONS 1/64 ANGLES 0° .30'

MATERIAL

FINISH

NOTICE TO PERSONS RECEIVING THIS DRAWING THE TECHNICAL MATERIEL CORPORATION claims proprietary right in the material disclosed hereon. This drawing is issued in confidence for engineering information only and may not be reproduced or used to manufacture anything shown hereon without permission from THE TECHNICAL MATERIEL CORPORATION to the user. This drawing is loaned for mutual assistance and is subject to recall at any time.

5

4

3

2

1