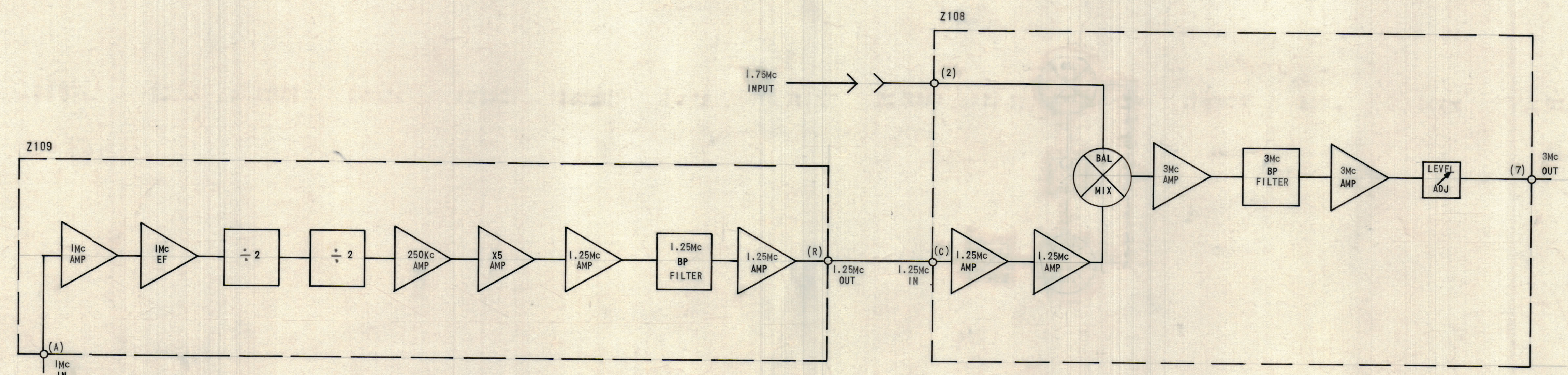


| REVISIONS | | | | | | |
|-----------|-----|---------------------------------|---------|----------|-------|-----------|
| ZONE | LTR | DESCRIPTION | DATE | E.M.N.NO | DRAFT | CHKD APPD |
| | X | EXPERIMENTAL RELEASE | 6/28/68 | | C.V. | |
| | Ø | ORIGINAL RELEASE FOR PRODUCTION | 7/2/68 | | C.V. | |



| CHGM-4 | | |
|-------------|---------------|-----------|
| QTY / UNIT | MODEL USED ON | ASS'Y NO. |
| | | |
| APPLICATION | | |
| | | |
| | | |

NOTICE TO PERSONS RECEIVING THIS DRAWING
 THE TECHNICAL MATERIEL CORPORATION claims proprietary right in the material disclosed hereon. This drawing is issued in confidence for engineering information only and may not be reproduced or used to manufacture anything shown hereon without permission from THE TECHNICAL MATERIEL CORPORATION to the user. This drawing is loaned for mutual assistance and is subject to recall at any time.

UNLESS OTHERWISE SPECIFIED DIMENSIONS ARE IN INCHES AND INCLUDE CHEMICALLY APPLIED OR PLATED FINISHES

| TOLERANCES ON | |
|---------------|--------------|
| DECIMALS | FRACTIONS ON |
| .X ± .05 | ± 1/64 |
| .XX ± .01 | ANGLES |
| .XXX ± .005 | ± 0°-30' |

| QTY. REQ. | ITEM | PART NO. | DESCRIPTION | SYMBOL |
|---|------|----------|-------------|-------------------------|
| | | | O. POSE | |
| LIST OF MATERIAL | | | | |
| FINAL APPROVAL <i>[Signature]</i> DATE 7-1-68 | | | | |
| MECH. DES. DATE | | | | |
| ELECT. DES. <i>[Signature]</i> DATE 7-1-68 | | | | |
| CHECKED <i>[Signature]</i> DATE 6/28/68 | | | | |
| DRAWN C.V. DATE 6-28-68 | | | | |
| MATERIAL | | | SIZE | CODE IDENT. NO. DWG NO. |
| FINISH | | | D | 82679 CK 1537 |
| | | | SCALE | SHEET 1 OF 2 |

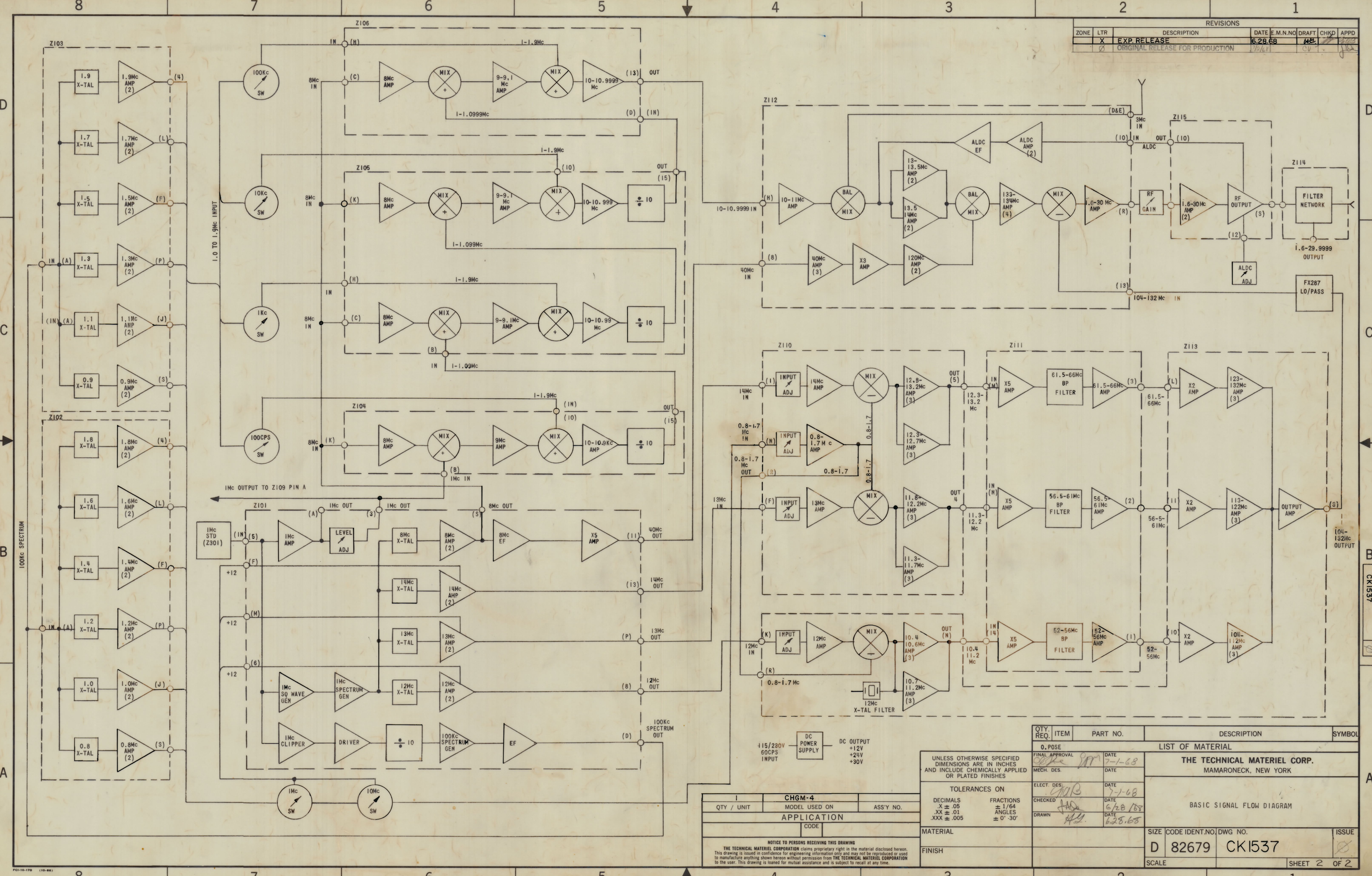
THE TECHNICAL MATERIEL CORP.
 MAMARONECK, NEW YORK

BASIC SIGNAL FLOW DIAGRAM

ISSUE *[Signature]*

CK1537

| REVISIONS | | | | | | |
|-----------|-----|---------------------------------|---------|----------|-------|------|
| ZONE | LTR | DESCRIPTION | DATE | E.M.N.NO | DRAFT | CHKD |
| X | | EXP RELEASE | 6.28.68 | | | |
| 2 | | ORIGINAL RELEASE FOR PRODUCTION | 7/6/68 | | | |



| CHGM-4 | | |
|---|---------------|-----------|
| QTY / UNIT | MODEL USED ON | ASS'Y NO. |
| APPLICATION | | |
| CODE | | |
| NOTICE TO PERSONS RECEIVING THIS DRAWING | | |
| THE TECHNICAL MATERIEL CORPORATION claims proprietary right in the material disclosed hereon. This drawing is issued in confidence for engineering information only and may not be reproduced or used to manufacture anything shown hereon without permission from THE TECHNICAL MATERIEL CORPORATION to the user. This drawing is loaned for mutual assistance and is subject to recall at any time. | | |

| QTY. REQ. | ITEM | PART NO. | DESCRIPTION | SYMBOL |
|---|------|-----------|-------------|--------|
| LIST OF MATERIAL | | | | |
| 0. POSE | | | | |
| UNLESS OTHERWISE SPECIFIED DIMENSIONS ARE IN INCHES AND INCLUDE CHEMICALLY APPLIED OR PLATED FINISHES | | | | |
| TOLERANCES ON | | | | |
| DECIMALS | | FRACTIONS | | |
| .X ± .05 | | ± 1/64 | | |
| .XX ± .01 | | ANGLES | | |
| .XXX ± .005 | | ± 0°-30' | | |
| MATERIAL | | | | |
| FINISH | | | | |
| THE TECHNICAL MATERIEL CORP. MAMARONECK, NEW YORK | | | | |
| BASIC SIGNAL FLOW DIAGRAM | | | | |
| SIZE CODE IDENT. NO. DWG. NO. | | | | |
| D 82679 CK1537 | | | | |
| SCALE | | | | |
| SHEET 2 OF 2 | | | | |