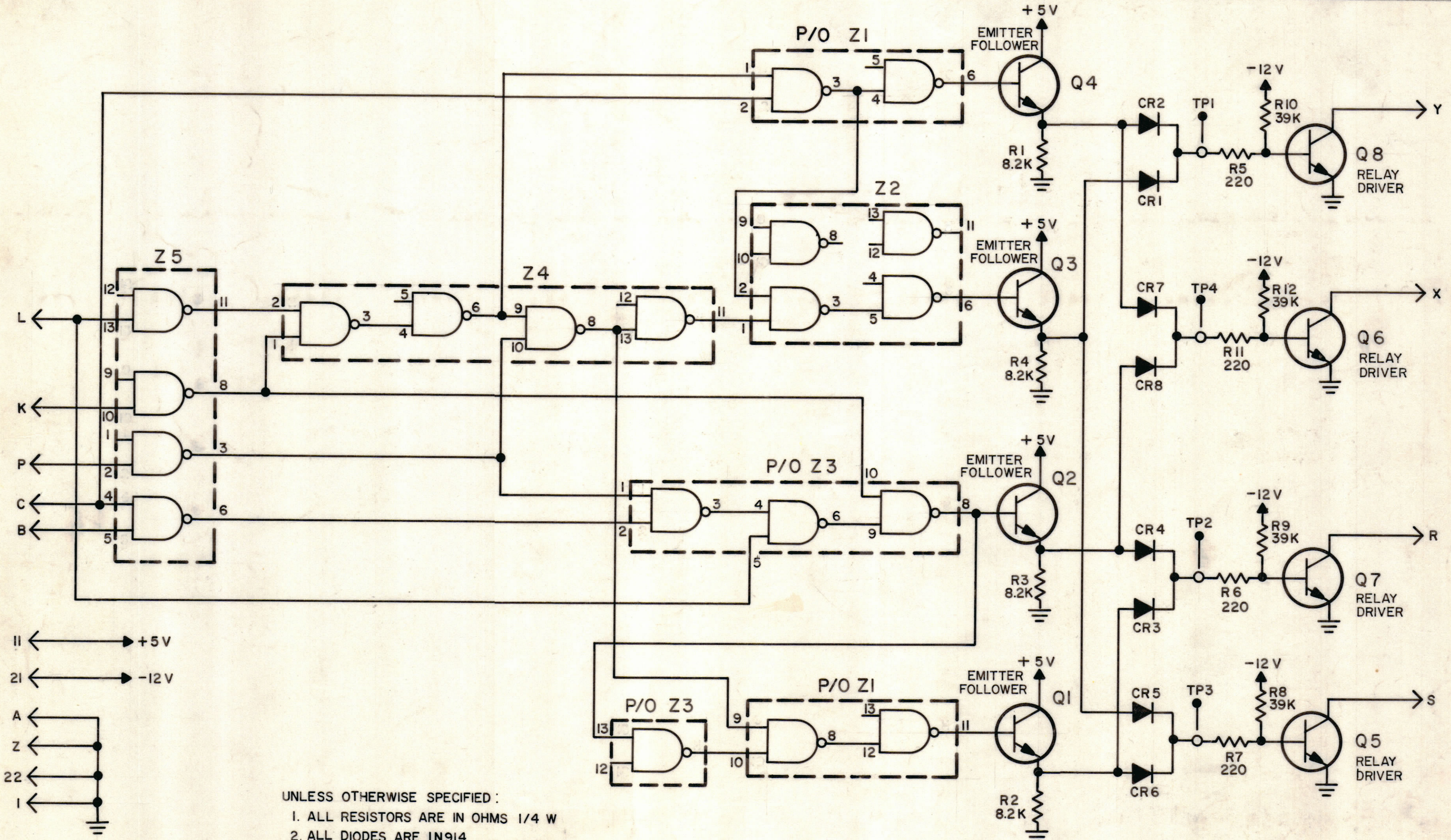


REVISIONS					DATE	APPROVED
E.M.N.NO	DRAFT	CHKD	ZONE	LTR	DESCRIPTION	
				X	EXP. RELEASE	6/20/69
				Ø	ORIGINAL RELEASE FOR PRODUCTION	7/18/69
				A	ADD. FUNCTIONS TO TRANSISTORS	9/2/70
20270	GE	Ø		B	SEE SHEET 2	3/19/71



UNLESS OTHERWISE SPECIFIED:  
 1. ALL RESISTORS ARE IN OHMS 1/4 W  
 2. ALL DIODES ARE IN914  
 3. ALL TRANSISTORS ARE 2N3013  
 PARTIAL REFERENCE DESIGNATIONS ARE SHOWN.  
 FOR COMPLETE DESIGNATION PREFIX WITH UNIT NUMBER  
 AND SUBASSEMBLY DESIGNATIONS AS APPLICABLE.

LAST SYMBOLS	MISSING SYMBOLS
Q8 R12 CR8 Z12	

MODULE VOLTAGE & GND CHART		
SYMBOL	PIN CONNECTION	
	+ 5V	GND
Z1 THRU Z12	14	7

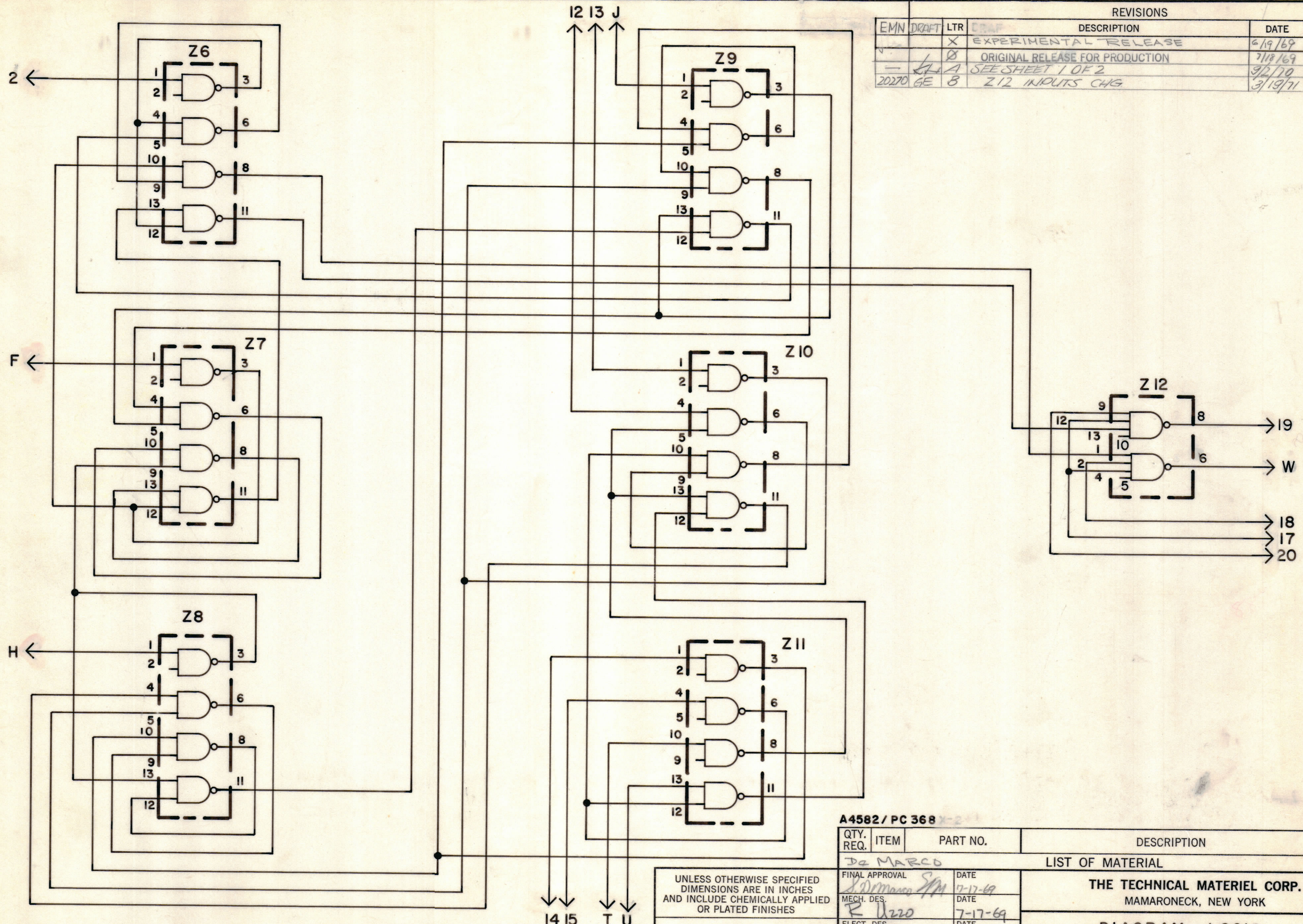
I	RTTD - 4	A 4582
QTY / UNIT	MODEL USED ON	ASS'Y NO.
APPLICATION		
CODE		

NOTICE TO PERSONS RECEIVING THIS DRAWING  
 THE TECHNICAL MATERIEL CORPORATION claims proprietary right in the material disclosed hereon. This drawing is issued in confidence for engineering information only and may not be reproduced or used to manufacture anything shown hereon without permission from THE TECHNICAL MATERIEL CORPORATION to the user. This drawing is loaned for mutual assistance and is subject to recall at any time.

A 4582 / PC 368

QTY. REQ.	ITEM	PART NO.	DESCRIPTION	SYMBOL
LIST OF MATERIAL				
FINAL APPROVAL: <i>S. De Marco</i> DATE: 7-17-69 MECH. DES.: <i>R. U220</i> DATE: 7-17-69 ELECT. DES.: DATE:				
THE TECHNICAL MATERIEL CORP. MAMARONECK, NEW YORK DIAGRAM SCHEMATIC BAND SWITCH LOGIC				
CHECKED: <i>J. De</i> DATE: 6/20/69 DRAWN: <i>Deierenlein</i> DATE: 6-17-69				
MATERIAL		SIZE CODE IDENT NO. DWG NO.		ISSUE
FINISH		C 82679 CK 1603		B
SCALE NONE		SHEET 1 OF 2		

REVISIONS					
EMN	DRAFT	LTR	DESCRIPTION	DATE	APPROVED
		X	EXPERIMENTAL RELEASE	6/19/69	
		B	ORIGINAL RELEASE FOR PRODUCTION	7/19/69	
		A	SEE SHEET 1 OF 2	9/2/70	W/SD
20270	GE	B	Z12 INPUTS CHG	3/19/71	W/Red



1	RTTD-4	A 4582
QTY / UNIT	MODEL USED ON	ASS'Y NO.
APPLICATION		
CODE		

NOTICE TO PERSONS RECEIVING THIS DRAWING  
 THE TECHNICAL MATERIEL CORPORATION claims proprietary right in the material disclosed hereon. This drawing is issued in confidence for engineering information only and may not be reproduced or used to manufacture anything shown hereon without permission from THE TECHNICAL MATERIEL CORPORATION to the user. This drawing is loaned for mutual assistance and is subject to recall at any time.

UNLESS OTHERWISE SPECIFIED DIMENSIONS ARE IN INCHES AND INCLUDE CHEMICALLY APPLIED OR PLATED FINISHES

TOLERANCES ON  
 DECIMALS      FRACTIONS  
 .X ± .05      ± 1/64  
 .XX ± .01      ANGLES  
 .XXX ± .005      ± 0° -30'

A4582 / PC 368		LIST OF MATERIAL	
QTY. REQ.	ITEM	PART NO.	DESCRIPTION
	De MARCO		
FINAL APPROVAL	DATE	THE TECHNICAL MATERIEL CORP.	
<i>[Signature]</i>	7-17-69	MAMARONECK, NEW YORK	
MECH. DES.	DATE	DIAGRAM LOGIC	
R 0220	7-17-69	COMPARATOR PRIORITY	
ELECT. DES.	DATE	SIZE CODE IDENT NO. DWG NO.	
CHECKED	DATE	C	82679 CK 1603
<i>[Signature]</i>	6-19-69	ISSUE	
DRAWN	DATE	SCALE	
G. EVANGELIST	JUN 19 69	SHEET 2 OF 2	

CK 1603 B B