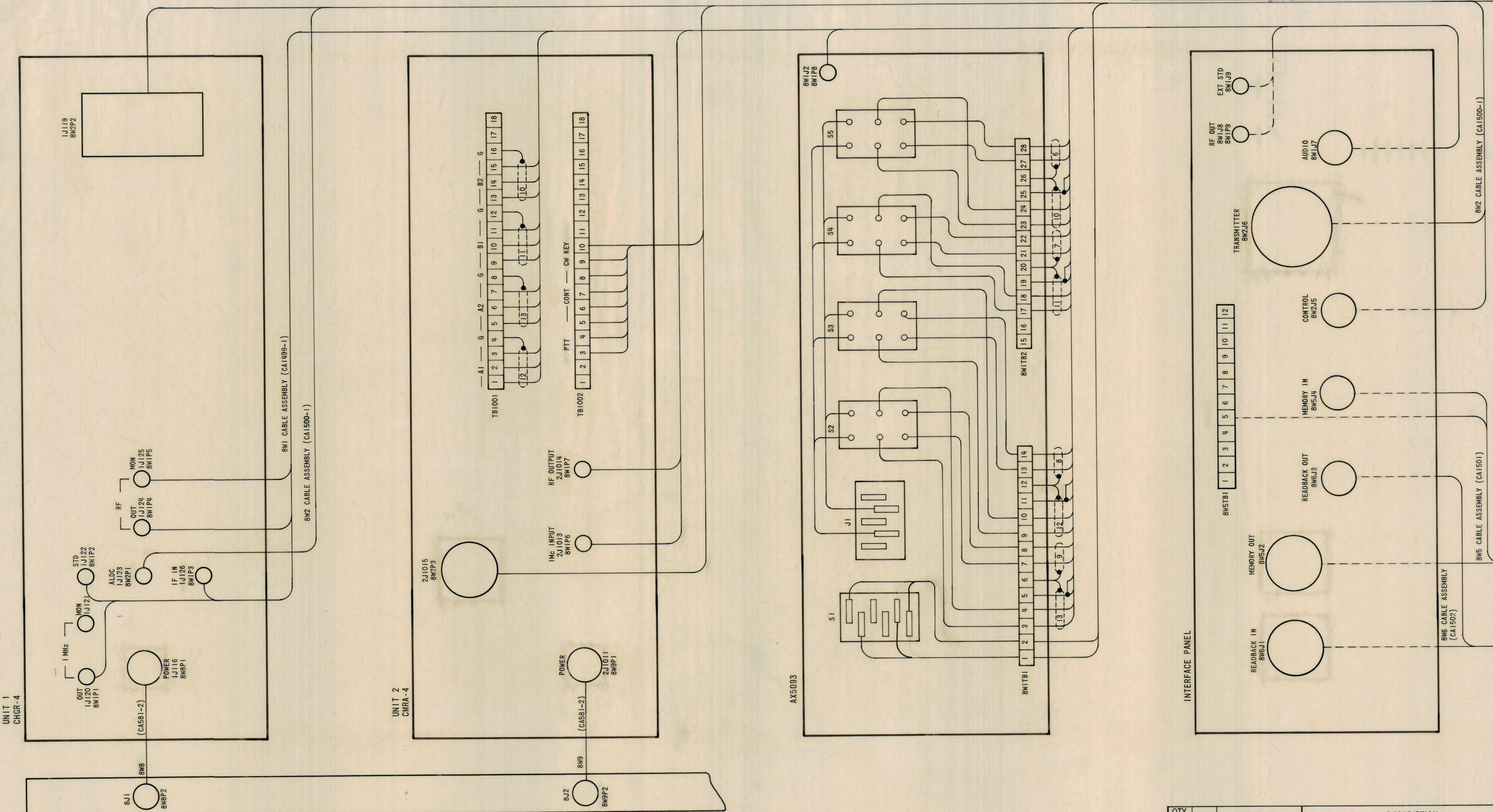


REVISIONS							
E.M.N.NO	DRAFT	CHKD	ZONE	LTR	DESCRIPTION	DATE	APPROVED
	KD			X	EXPERIMENTAL RELEASE	6/30/69	
	KD				ORIGINAL RELEASE FOR PRODUCTION	6/17/69	



NOTE:  
 "INTERCONNECTING CABLE RUNS AND THE CONDUCTOR GROUPING WILL VARY FOR EACH INDIVIDUAL INSTALLATION. REFER TO THE APPLICABLE SHIP PLAN TO DETERMINE THE CORRECT CABLING AND HOOKUP FOR A SPECIFIC SHIP."

SBGR-4YA		
QTY / UNIT	MODEL USED ON	ASSY NO.
APPLICATION		
CODE		

NOTICE TO PERSONS RECEIVING THIS DRAWING  
 THE TECHNICAL MATERIEL CORPORATION claims proprietary right in the material disclosed herein. This drawing is issued in confidence for engineering information only and may not be reproduced or used to manufacture anything shown hereon without permission from THE TECHNICAL MATERIEL CORPORATION to the user. This drawing is loaned for mutual assistance and is subject to recall at any time.

QTY. REQ.	ITEM	PART NO.	DESCRIPTION	SYMBOL
LIST OF MATERIAL				
UNLESS OTHERWISE SPECIFIED DIMENSIONS ARE IN INCHES AND INCLUDE CHEMICALLY APPLIED OR PLATED FINISHES				
TOLERANCES ON				
DECIMALS		FRACTIONS		
XX ± .05		± 1/64		
XX ± .01		ANGLES		
XXX ± .005		± 0° -30'		
MATERIAL				
FINISH				

FINAL APPROVAL		DATE		
MECH. DES.		DATE		
ELECT. DES.		DATE		
CHECKED		DATE		
DRAWN		DATE		
<b>THE TECHNICAL MATERIEL CORP.</b> MAMARONECK, NEW YORK <b>SYNTHESIZER, ELECTRICAL FREQUENCY</b> <b>RAK 136-2</b> <b>INTERCONNECTION DIAGRAM</b>				
SIZE	CODE	IDENT NO.	DWG NO.	ISSUE
D	82679	CK 1637		
SCALE				SHEET 1 OF 3

62%

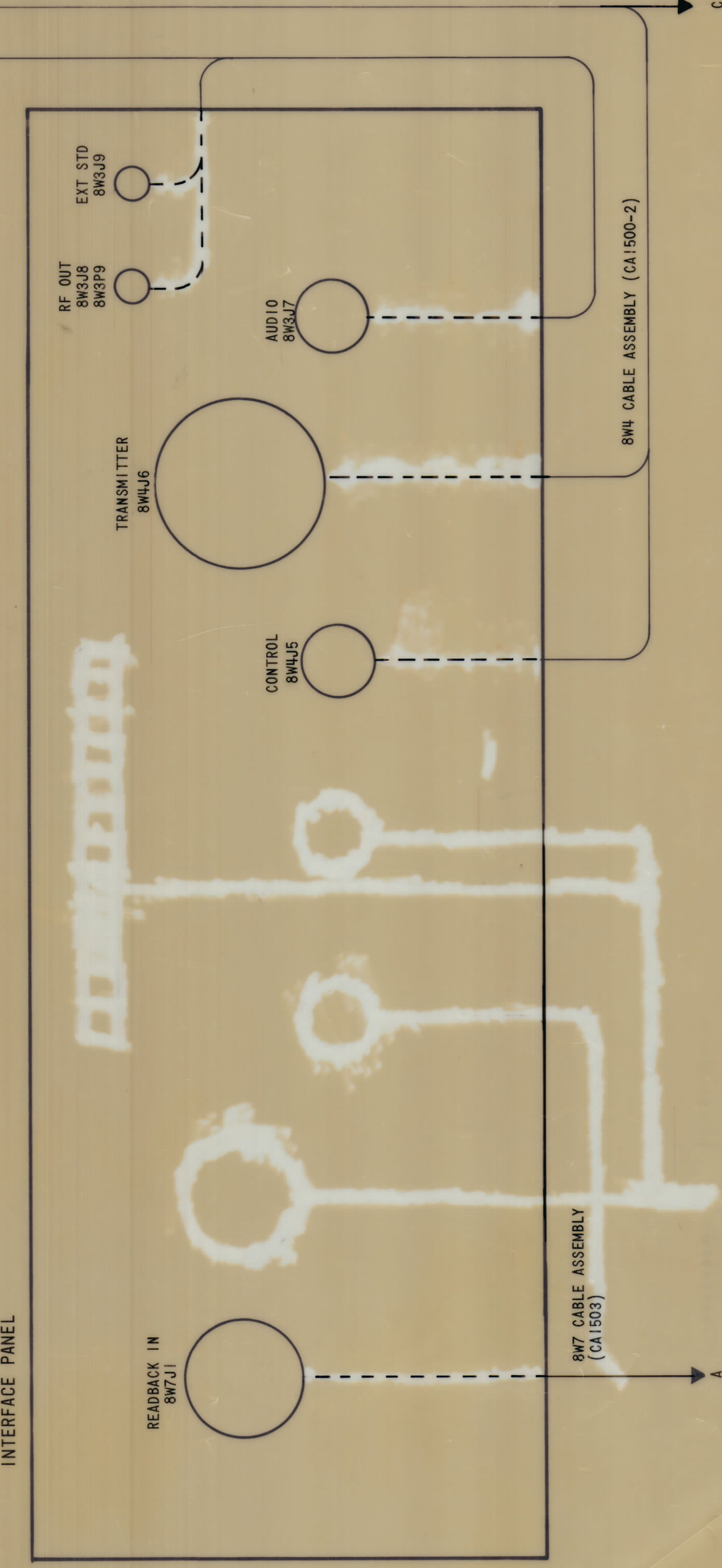
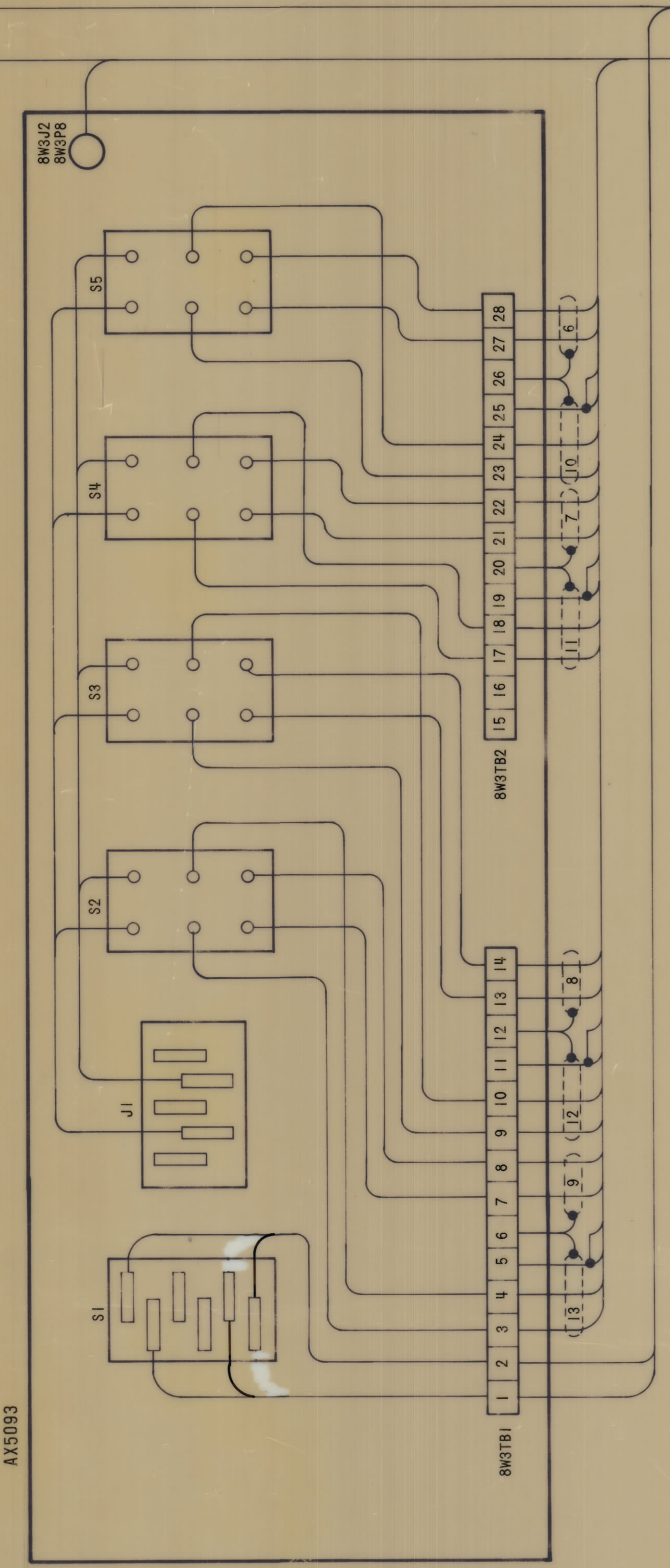
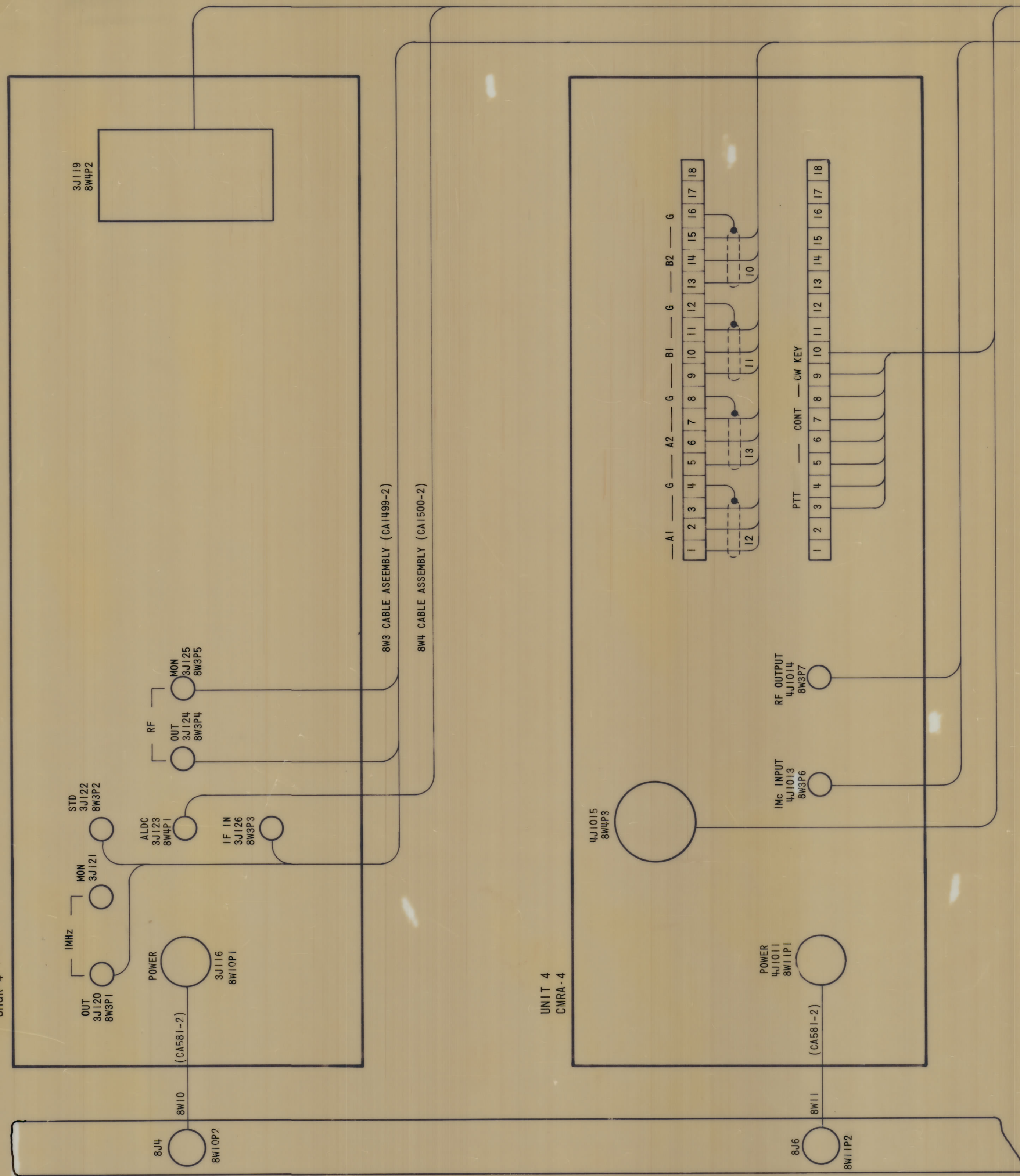
TO SHEET 3

TO SHEET 3

CK 1637



REVISIONS					DATE	APPROVED
E.M.N.NO	DRAFT	CHKD	ZONE	LTR	DESCRIPTION	
					ORIGINAL RELEASE FOR PRODUCTION	2/11/69



SBGR-4YA		
QTY / UNIT	MODEL USED ON	ASS'Y NO.
APPLICATION		
CODE		
NOTICE TO PERSONS RECEIVING THIS DRAWING		
THE TECHNICAL MATERIEL CORPORATION claims proprietary right in the material disclosed herein. This drawing is issued in confidence for engineering information only and may not be reproduced or used to manufacture anything shown hereon without permission from THE TECHNICAL MATERIEL CORPORATION to the user. This drawing is loaned for mutual assistance and is subject to recall at any time.		

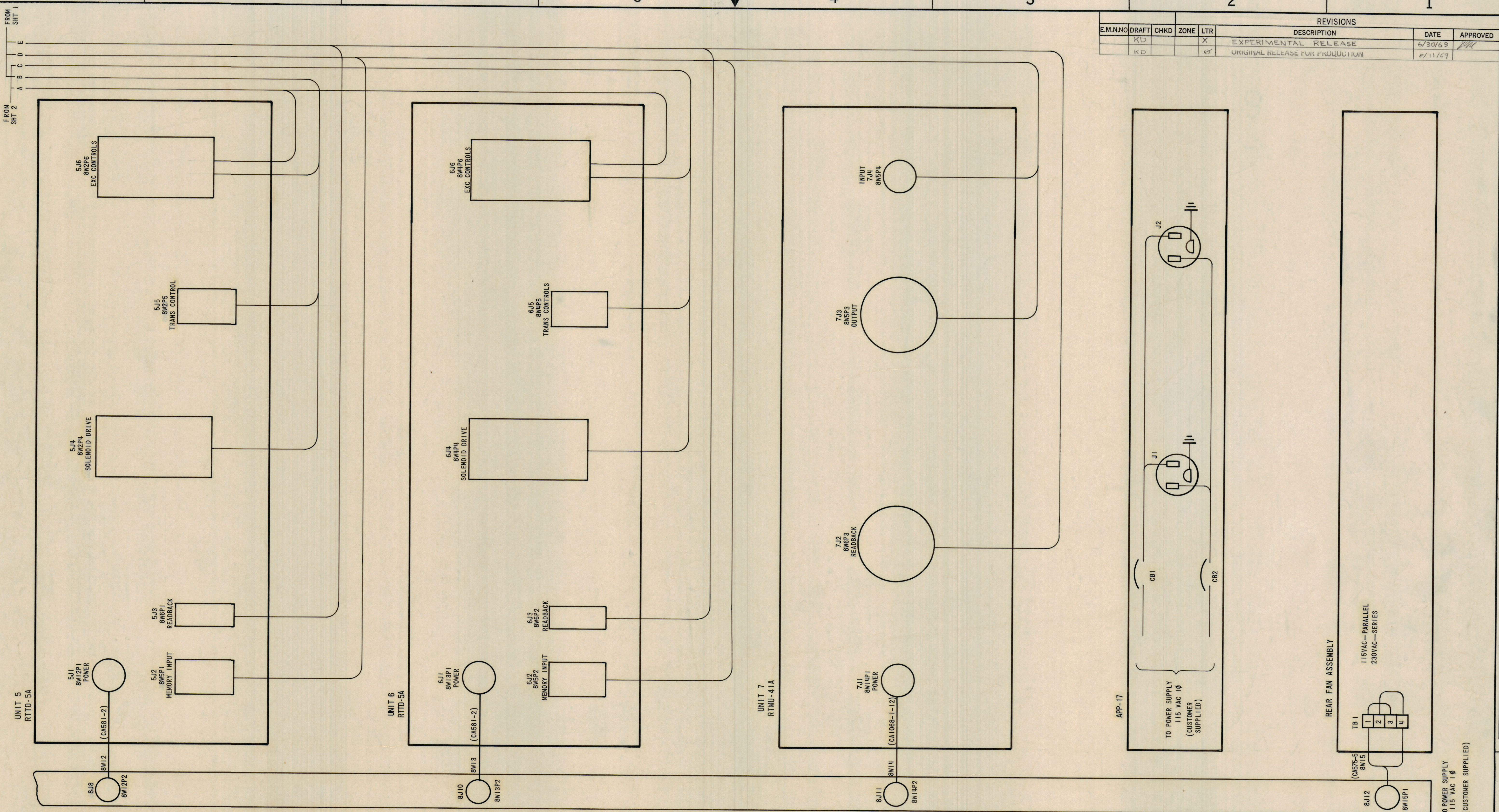
UNLESS OTHERWISE SPECIFIED DIMENSIONS ARE IN INCHES AND INCLUDE CHEMICALLY APPLIED OR PLATED FINISHES	
TOLERANCES ON	
DECIMALS	FRACTIONS
.X = .05	= 1/64
.XX = .01	ANGLES
.XXX = .005	= 0° - 30'

QTY. REQ.	ITEM	PART NO.	DESCRIPTION	SYMBOL
LIST OF MATERIAL				
THE TECHNICAL MATERIEL CORP. MAMARONECK, NEW YORK				
SYNTHESIZER, ELECTRICAL FREQUENCY				
RAK 136-2				
INTERCONNECTION DIAGRAM				
SIZE	CODE IDENT NO.	DWG NO.	ISSUE	
D	82679	CK 1637	0	
SCALE NONE SHEET 2 OF				

70%



REVISIONS							
E.M.N.O.	DRAFT	CHKD	ZONE	LTR	DESCRIPTION	DATE	APPROVED
	KD			X	EXPERIMENTAL RELEASE	6/30/69	
	KD			8	ORIGINAL RELEASE FOR PRODUCTION	8/11/69	



SBGR-4YA		
QTY / UNIT	MODEL USED ON	ASS'Y NO.
APPLICATION		
CODE		
MATERIAL		
FINISH		

UNLESS OTHERWISE SPECIFIED DIMENSIONS ARE IN INCHES AND INCLUDE CHEMICALLY APPLIED OR PLATED FINISHES

TOLERANCES ON  
 DECIMALS .X ± .05  
 .XX ± .01  
 .XXX ± .005

FRACTIONS ± 1/64  
 ANGLES ± 0°-30'

70%

QTY. REQ.	ITEM	PART NO.	DESCRIPTION	SYMBOL
LIST OF MATERIAL				
THE TECHNICAL MATERIEL CORP. MAMARONECK, NEW YORK				
SYNTHESIZER, ELECTRICAL FREQUENCY				
RAK 136-2				
INTERCONNECTION DIAGRAM				
SIZE		CODE IDENT NO.	DWG NO.	ISSUE
D		82679	CK 1637	
SCALE NONE				
				SHEET 3 OF