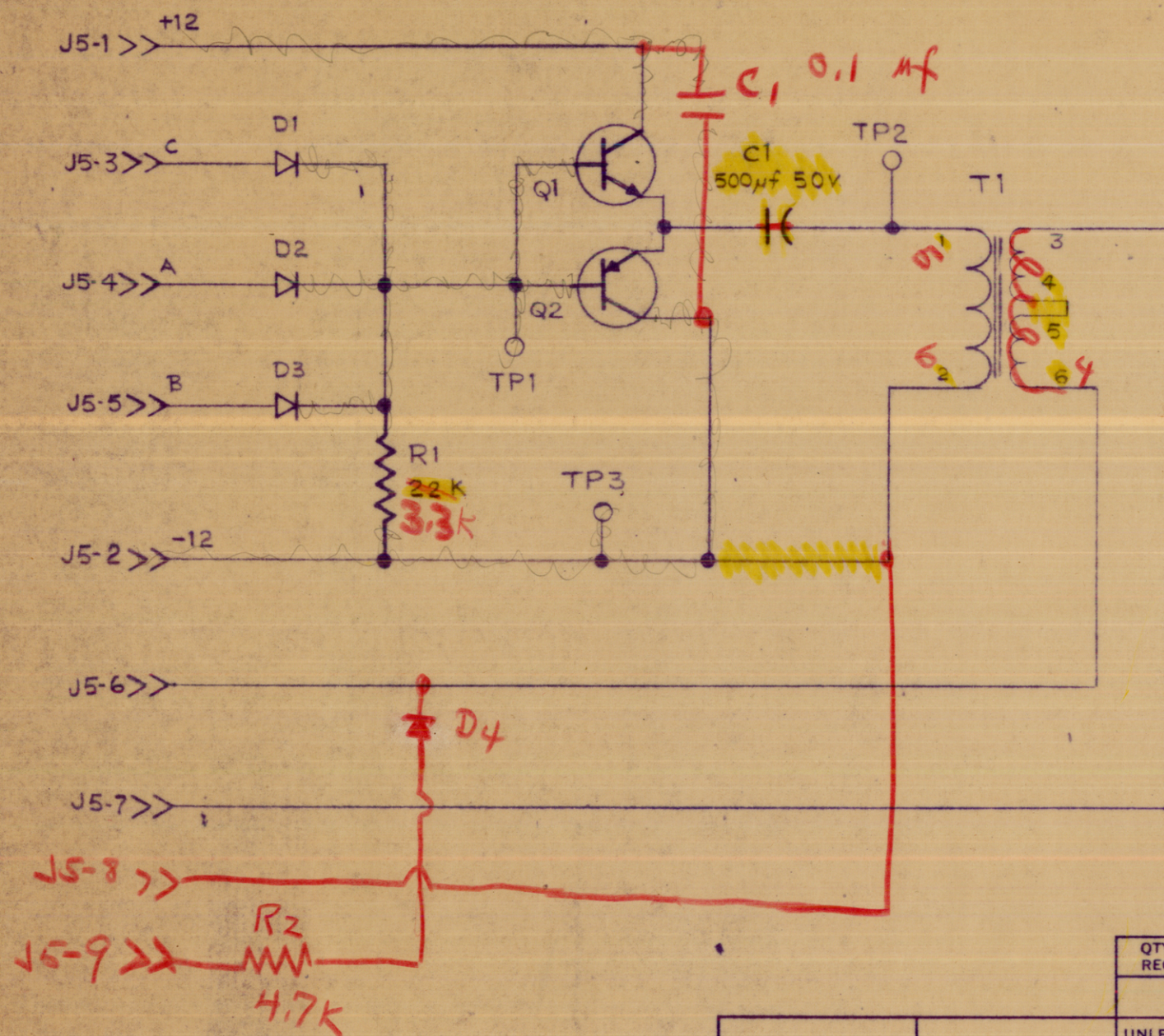


REVISIONS					
LTR	DESCRIPTION	DATE	DRAFT	CHECKED	APPD



QTY REQ.	ITEM	PART NO.	MANUFACTURER	DESCRIPTION	SYM	
PARTS LIST						
				UNLESS OTHERWISE SPECIFIED DIMENSIONS ARE IN INCHES AND INCLUDE CHEMICALLY APPLIED OR PLATED FINISHES REMOVE ALL BURRS AND SHARP EDGES.		
			DRAWN MITCH	DATE 4-24-72		
			CHECKED	DATE		
			D. ENG.	DATE		
			P. ENG.	DATE		
			P. MGR.	DATE		
			CHIEF, ENG. DEPT.	DATE 27 April 72		
			THE TMC SYSTEMS AND POWER CORPORATION SPRINGFIELD, VIRGINIA			
			SCHEMATIC OUTPUT AMPLIFIER			
		AX90500	MATERIAL	SIZE B	CODE IDENT NO. 24146	
	NEXT ASSY	USED ON	FINISH	DWG. NO. CK1796	REV	
APPLICATION					SCALE	SHEET OF

NOTICE TO PERSONS RECEIVING THIS DRAWING
 THE TMC SYSTEMS AND POWER CORPORATION claims proprietary right in the material disclosed hereon. This drawing is issued in confidence for engineering information only and may not be reproduced or used to manufacture anything shown hereon without permission from THE TMC SYSTEMS AND POWER CORPORATION to the user. This drawing is loaned for mutual assistance and is subject to recall at any time.