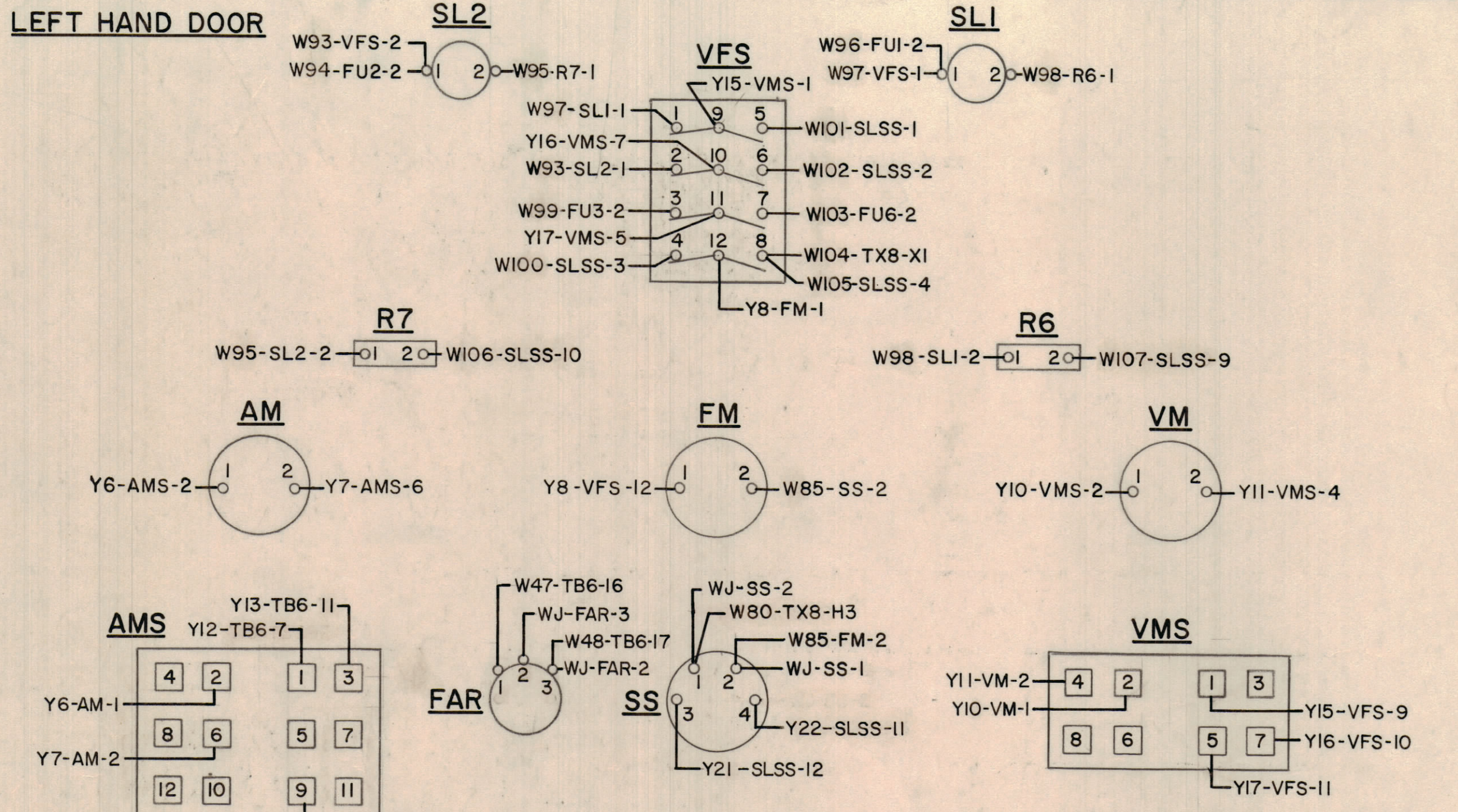
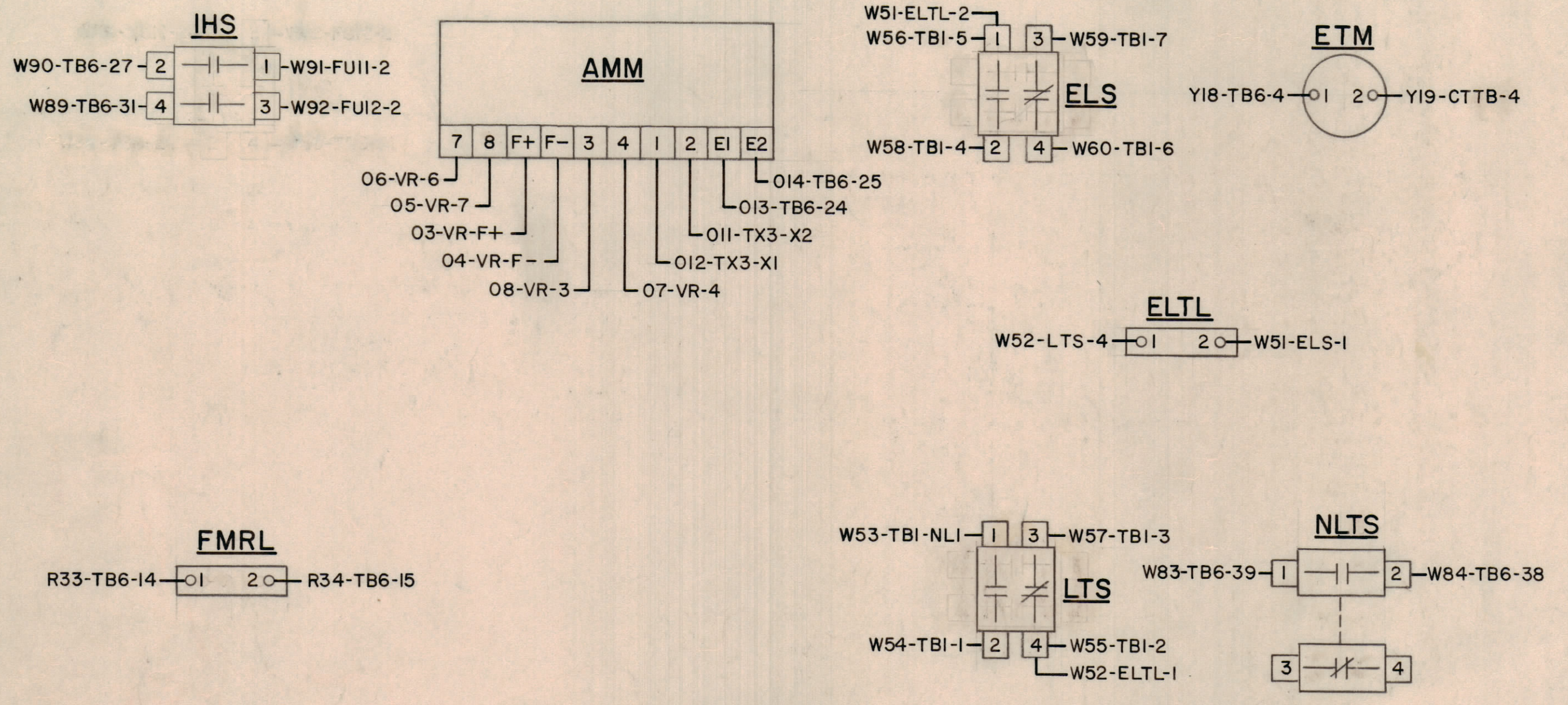


REVISIONS						
ZONE	LTR	DESCRIPTION	DATE	DRAFT	CHKD	APPD
	A	ADDED CTTB, CHANGED CT WIRING	2/20/73	RMF	ERB	
	B	ADDED RADIATOR FAN WIRING	3/14/73	RMF	ERB	
	C	AS BUILT	4/10/73	RMF	ERB	
	D	CHANGE MADE AS PER QA LIST 0362 6/11/73	6/14/73	RMF		RL

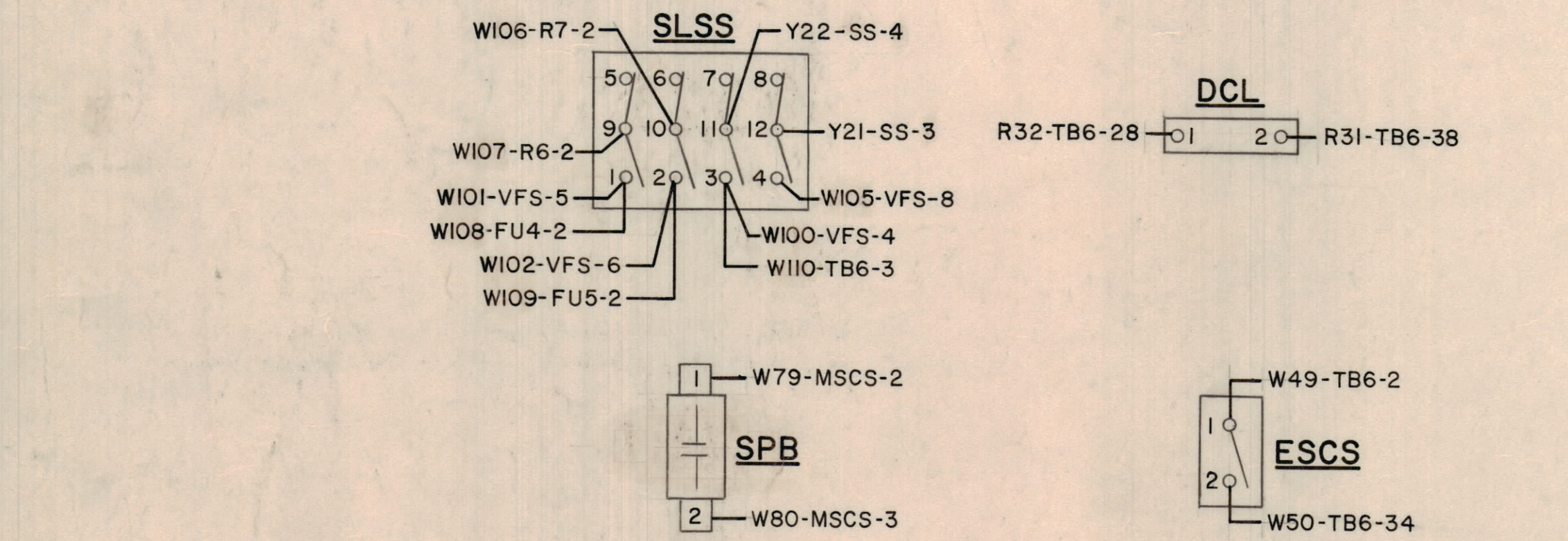
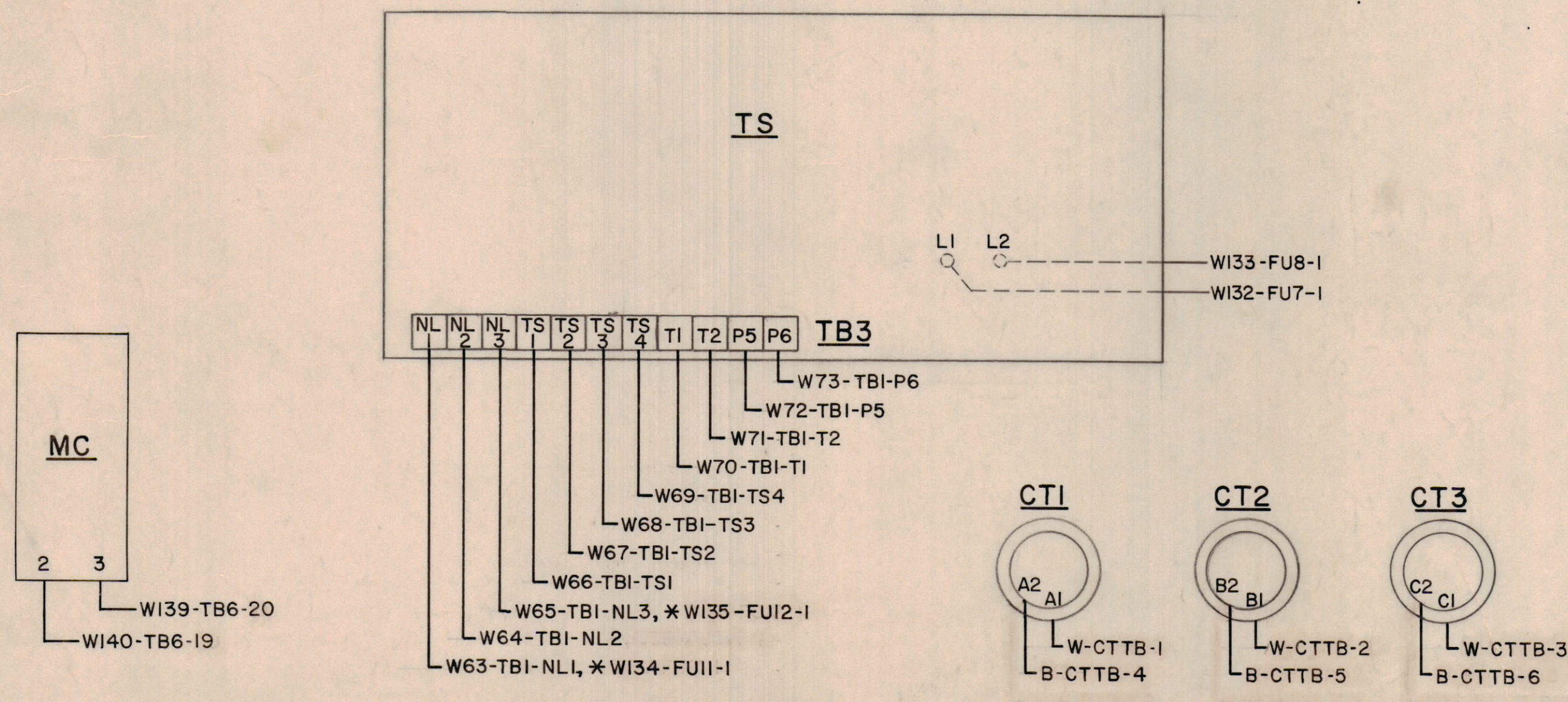
INSIDE OF CABINET

RIGHT HAND DOOR

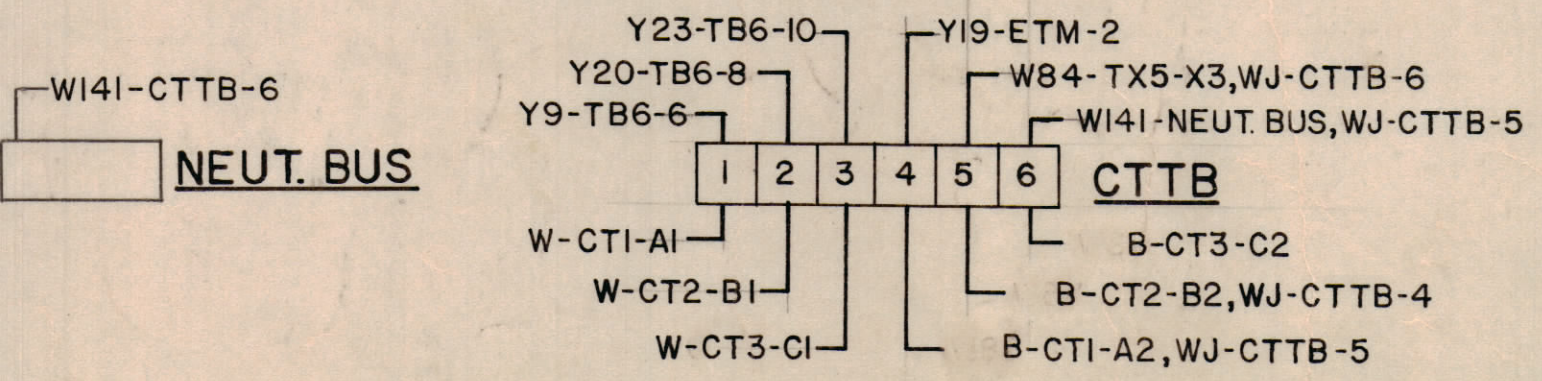
LEFT HAND DOOR



CENTER MOUNTING ANGLES



* (NO. 10 AWG.)



QTY REQ	QTY REQ	QTY REQ	ITEM	PART NO.	MANUFACTURER	DESCRIPTION	SYM
PARTS LIST							
THE TMC SYSTEMS AND POWER CORPORATION SPRINGFIELD, VIRGINIA							
WIRING DIAGRAM AC CONTROL CABINET 277/480VAC							
DRAWN FERNANDEZ		DATE 1/23/72		SIZE D		CODE IDENT NO 24146	
CHECKED ERB		DATE 6 Feb 73		DWG. NO. CK1809		REV D	
D. ENG. ERB/ane		DATE 6 Feb 73		SCALE NONE		SHEET 1 OF 2	
P. ENG. ERB/ane		DATE 6 Feb 73		FAA QRO G. White		DATE 6-25-73	
P. MGR.		DATE		DATE 6-26-73			
CHIEF, ENG. DEPT.		DATE					
QA		DATE					

INTERPRET DRAWING PER LISTED DOCUMENTS

UNLESS OTHERWISE SPECIFIED DIMENSIONS ARE IN INCHES AND INCLUDE CHEMICALLY APPLIED OR PLATED FINISHES REMOVE ALL BURRS AND SHARP EDGES

TOLERANCES ON FRACTIONS ANGLES DECIMALS

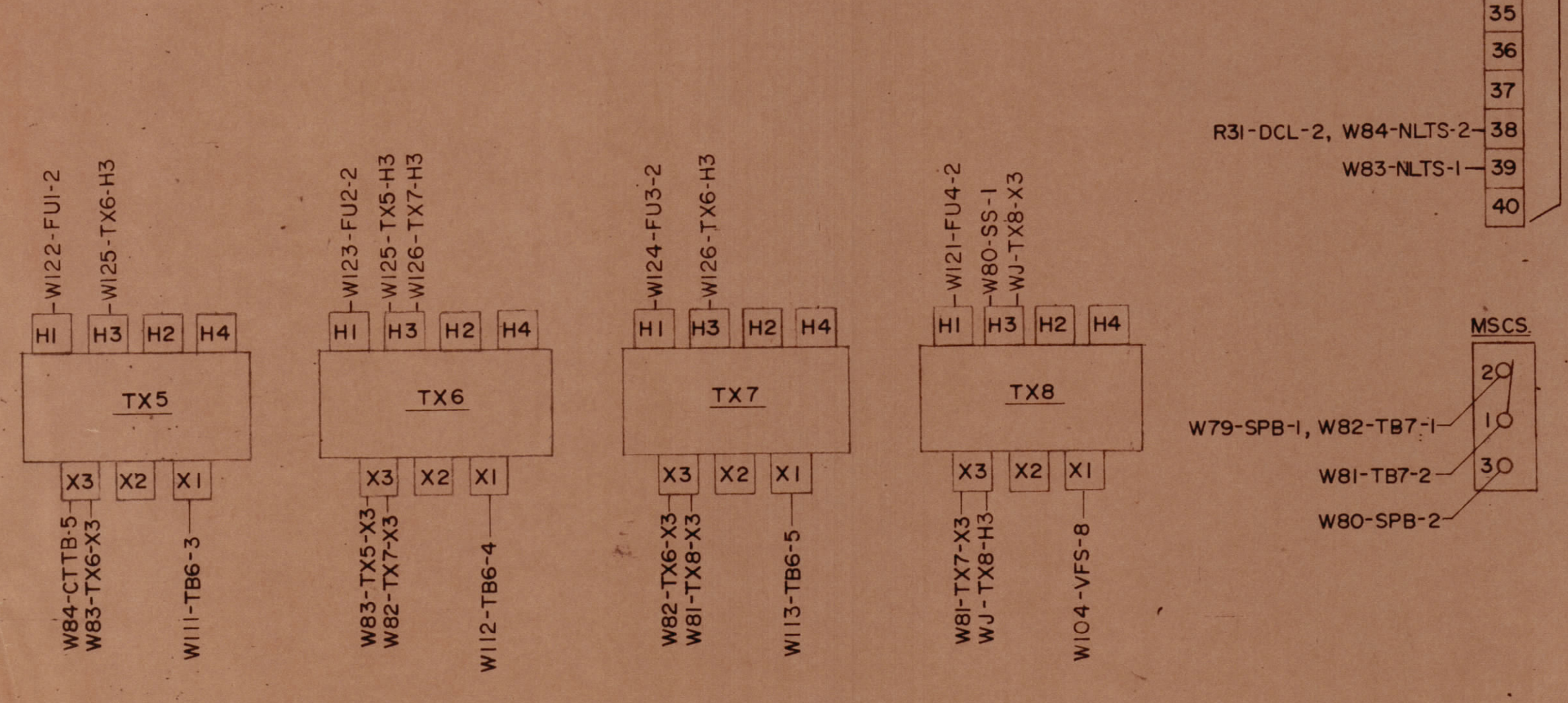
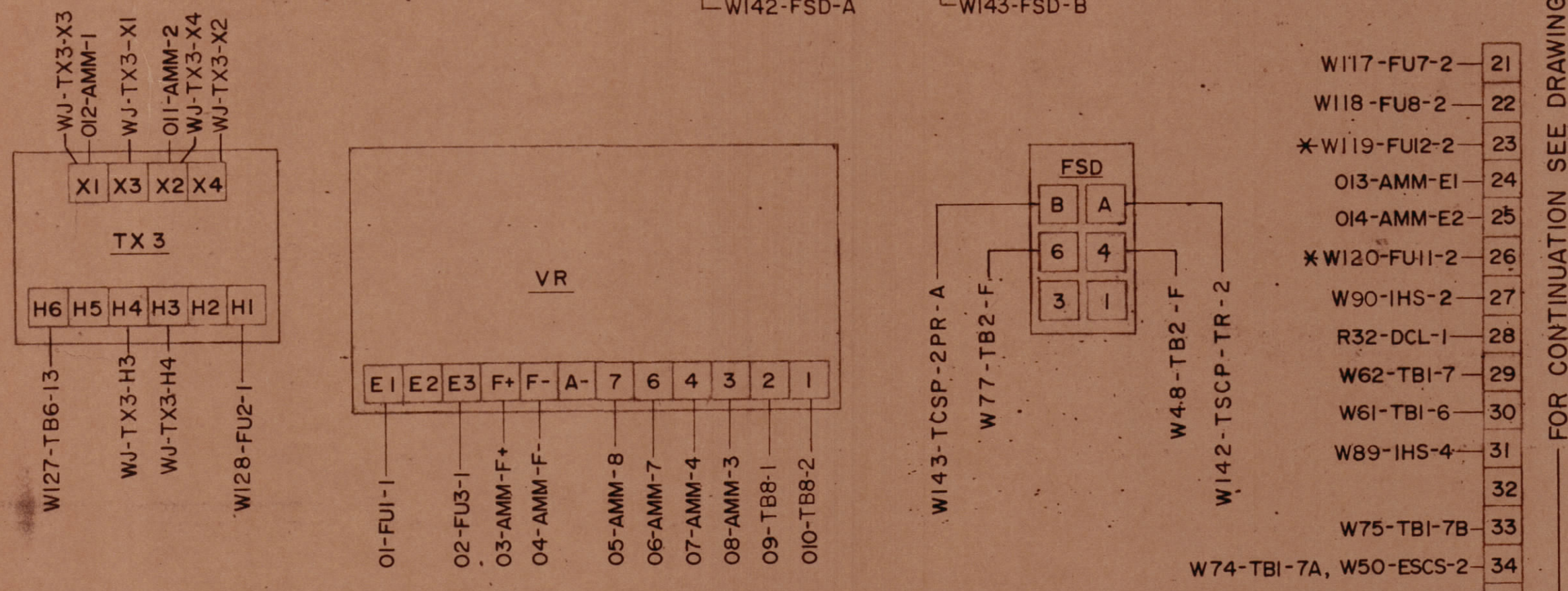
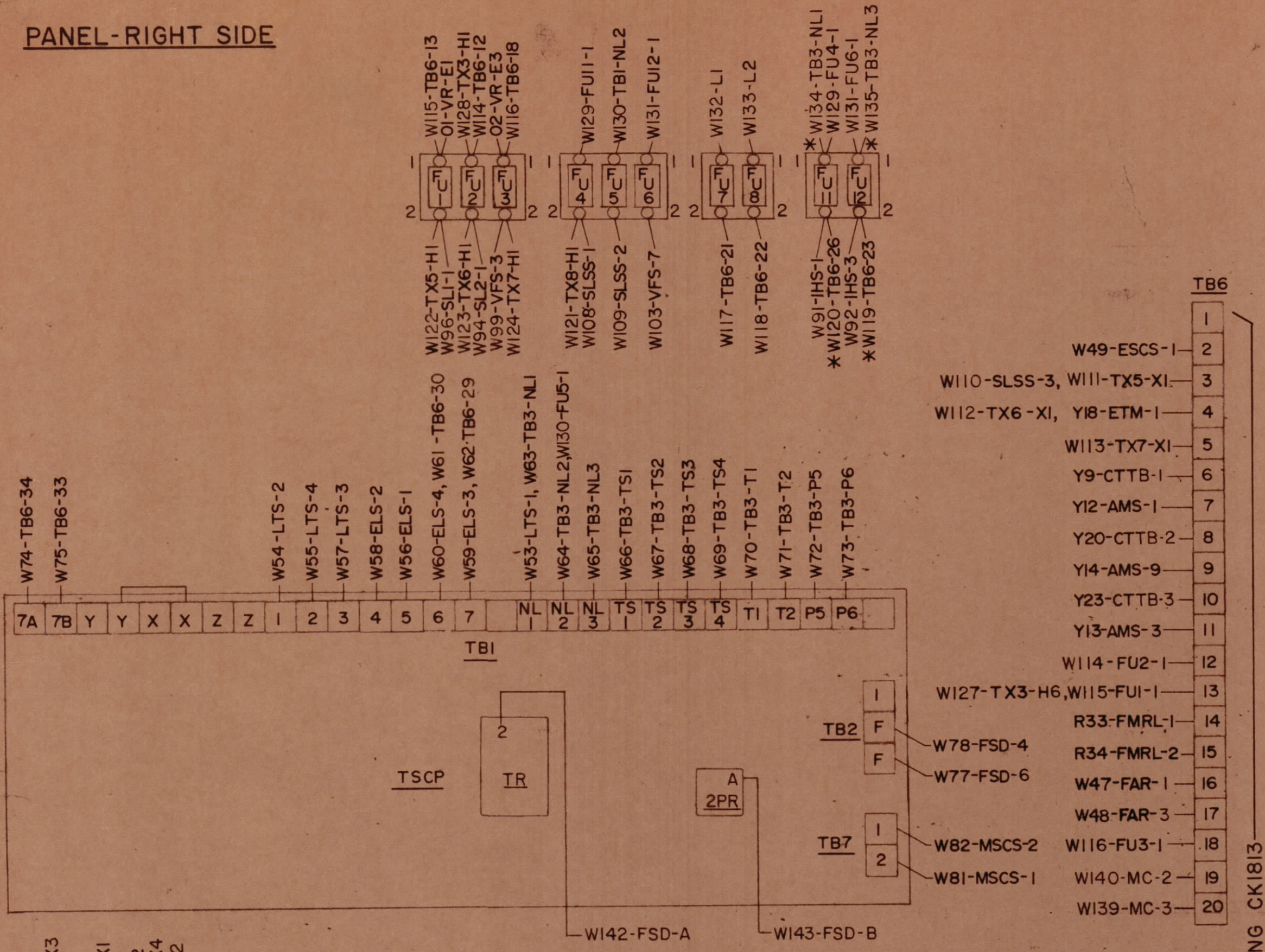
MATERIAL

FINISH

NOTICE TO PERSONS RECEIVING THIS DRAWING THE TMC SYSTEMS AND POWER CORPORATION claims proprietary right in the material disclosed hereon. This drawing is issued in confidence for engineering information only and may not be reproduced or used to manufacture anything shown hereon without permission from THE TMC SYSTEMS AND POWER CORPORATION to the user. This drawing is loaned for mutual assistance and is subject to recall at any time.

REVISIONS					
ZONE	LTR	DESCRIPTION	DATE	DRAFT	CHK'D APP'D

PANEL-RIGHT SIDE

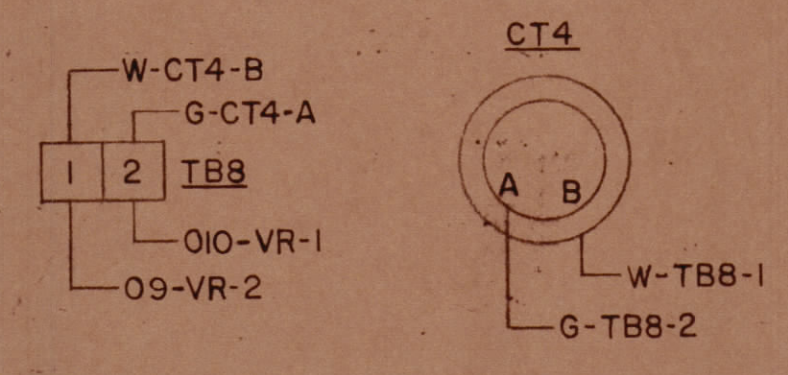


- W49-ESCS-1 2
- W110-SLSS-3, W111-TX5-X1 3
- W112-TX6-X1, Y18-ETM-1 4
- W113-TX7-X1 5
- Y9-CTTB-1 6
- Y12-AMS-1 7
- Y14-AMS-9 9
- Y23-CTTB-3 10
- Y13-AMS-3 11
- W114-FU2-1 12
- W127-TX3-H6, W115-FUI-1 13
- R33-FMRL-1 14
- R34-FMRL-2 15
- W47-FAR-1 16
- W48-FAR-3 17
- W116-FU3-1 18
- W140-MC-2 19
- W139-MC-3 20
- W117-FU7-2 21
- W118-FU8-2 22
- *W119-FUI2-2 23
- O13-AMM-E1 24
- O14-AMM-E2 25
- *W120-FUI1-2 26
- W90-IHS-2 27
- R32-DCL-1 28
- W62-TBI-7 29
- W61-TBI-6 30
- W89-IHS-4 31
- 32
- W75-TBI-TB 33
- W74-TBI-7A, W50-ESCS-2 34
- 35
- 36
- 37
- R31-DCL-2, W84-NLTS-2 38
- W83-NLTS-1 39
- 40

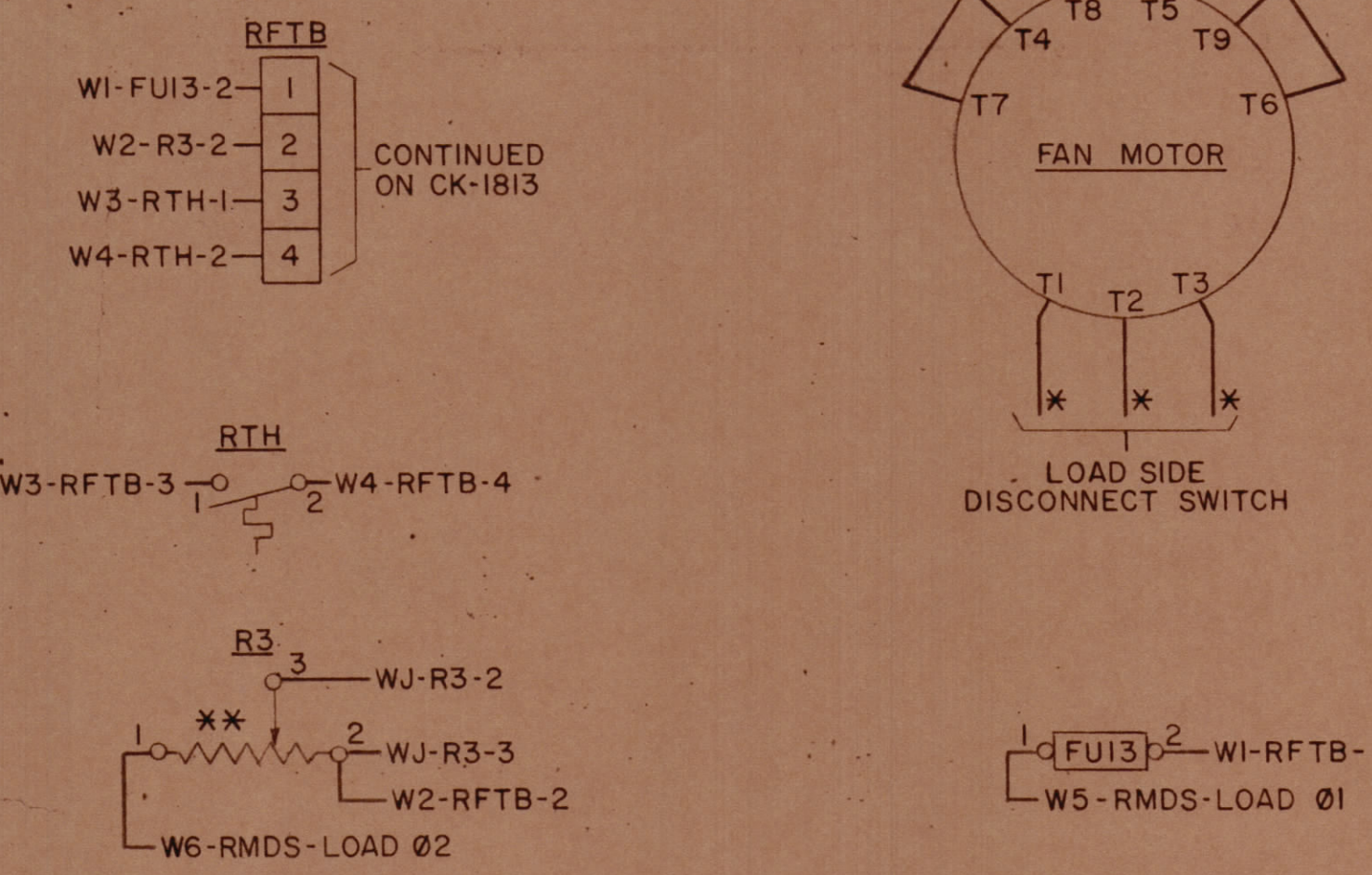
FOR CONTINUATION SEE DRAWING CK1813

* (NO. 10 AWG)

PANEL-LEFT SIDE



RADIATOR FAN WIRING



LEGEND

- AM — AMMETER
- AMM — AUTOMATIC MANUAL MODULE
- AMS — AMMETER SWITCH
- CT1-3 — CURRENT TRANSFORMER
- CT4 — CROSS CURRENT COMPENSATING TRANSFORMER
- CTTB — CURRENT TRANSFORMER TERMINAL BLOCK
- DCL — DC CONTROL INDICATOR LIGHT
- ELS — EXTENDED LOAD STOP PUSHBUTTON
- ELTL — EXTENDED LOAD TEST LIGHT
- ESCS — EMERGENCY STOP AND CONTROL CUT-OUT SWITCH
- ETM — ELAPSED TIME METER
- FAR — GOVERNOR CONTROL RHEOSTAT
- FM — FREQUENCY METER
- FMRL — RADIATOR FAN MOTOR RUNNING LIGHT
- FSD — FREQUENCY SENSING DEVICE
- FU — FUSE
- IHS — IMMERSION HEATER SWITCH
- LTS — LOAD TEST PUSHBUTTON
- MC — RADIATOR FAN MOTOR CONTACTOR
- MSCS — MANUAL SYNCHRONIZING CONTROL SWITCH
- NLTS — NO LOAD TEST START PUSHBUTTON
- R6,7 — RESISTOR
- SL1,2 — SYNCHRONIZING LIGHT
- SLSS — SYNCHRONIZING LIGHTS / SYNCHROSCOPE SWITCH
- SPB — SYNCHRONIZING PUSHBUTTON
- SS — SYNCHROSCOPE
- TB — TERMINAL BLOCK
- TS — TRANSFER SWITCH
- TSCP — TRANSFER SWITCH CONTROL PANEL
- TX — TRANSFORMER
- VFS — VOLTMETER / FREQUENCY METER SELECTOR SWITCH
- VM — VOLTMETER
- VMS — VOLTMETER SWITCH
- VR — VOLTAGE REGULATOR
- TR — TRANSFER RELAY
- 2PR — POTENTIAL RELAY

- FU — FUSE
 - R3 — RESISTOR
 - RFTB — RADIATOR FAN TERMINAL BLOCK
 - RTH — RADIATOR THERMOSTAT
 - RMDS — RADIATOR MOTOR DISCONNECT SWITCH
- * NO. 8 AWG
** ADJUST FOR 70K OHMS

QTY REQ	QTY REQ	QTY REQ	ITEM	PART NO.	MANUFACTURER	DESCRIPTION	SYM
PARTS LIST							
DRAWN FERNANDEZ				DATE 1/23/72			
CHECKED C.A.B.				DATE 6 Feb 73			
D. ENG.				DATE			
P. ENG. C.A.B.				DATE 6 Feb 73			
P. MGR.				DATE			
CHIEF, ENG. DEPT. [Signature]				DATE 12-20-72			
QA [Signature]				DATE 6-25-73			
FAA GREG White				DATE 6-21-73			
SIZE D		CODE IDENT NO 24146		DWG. NO. CK1809		REV D	
SCALE NONE				SHEET 2 OF 2			

INTERPRET DRAWING PER LISTED DOCUMENTS

UNLESS OTHERWISE SPECIFIED DIMENSIONS ARE IN INCHES AND INCLUDE CHEMICALLY APPLIED OR PLATED FINISHES REMOVE ALL BURRS AND SHARP EDGES

TOLERANCES ON FRACTIONS ANGLES DECIMALS

MATERIAL

FINISH

NOTICE TO PERSONS RECEIVING THIS DRAWING THE TMC SYSTEMS AND POWER CORPORATION claims proprietary right in the material disclosed herein. This drawing is issued in confidence for engineering information only and may not be reproduced or used to manufacture anything shown hereon without permission from THE TMC SYSTEMS AND POWER CORPORATION to the user. This drawing is loaned for mutual assistance and is subject to recall at any time.