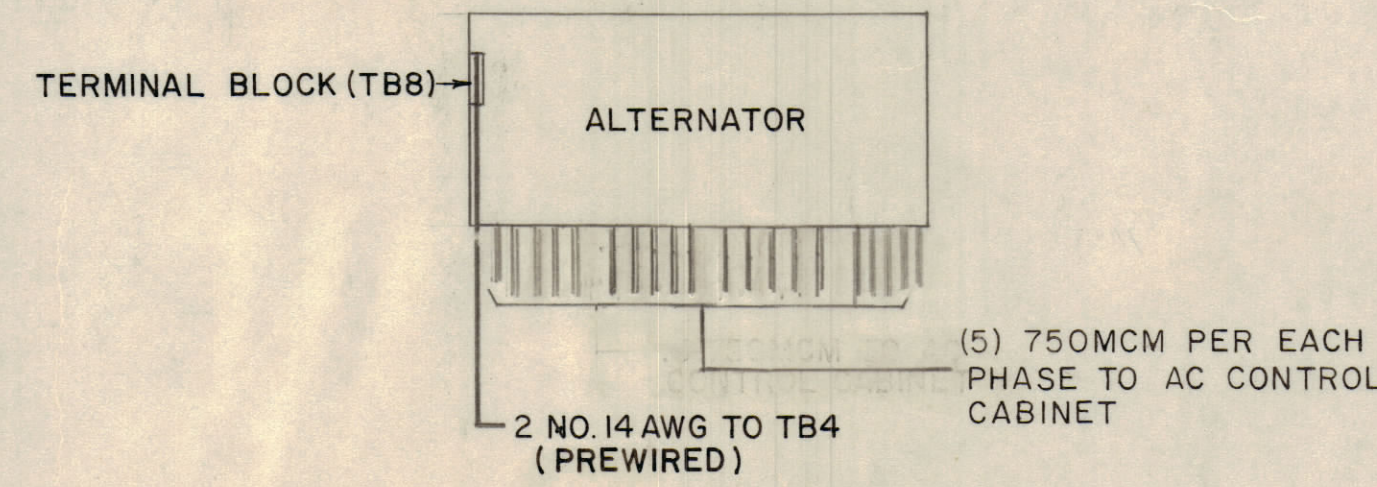
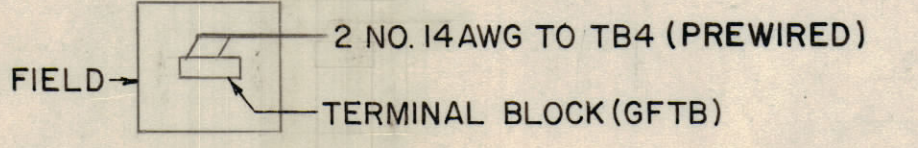
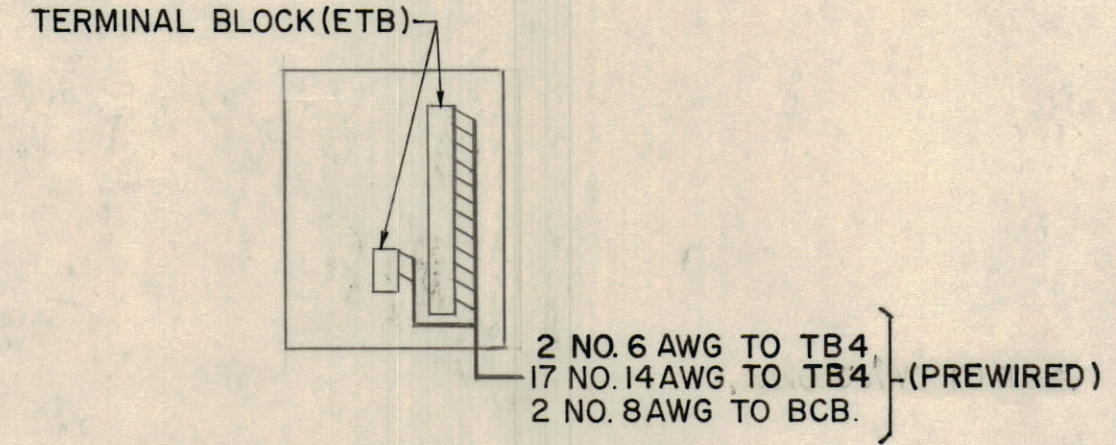
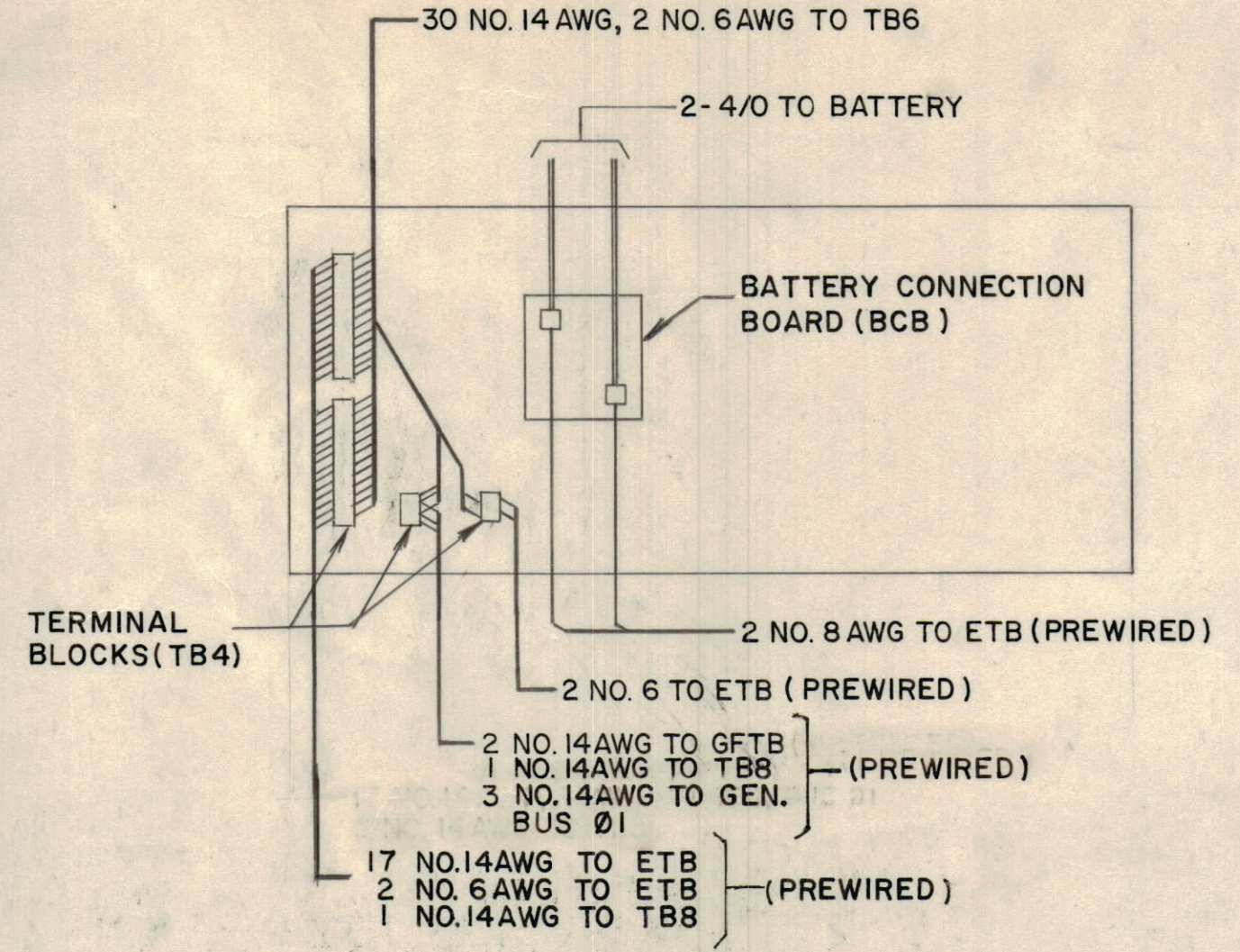
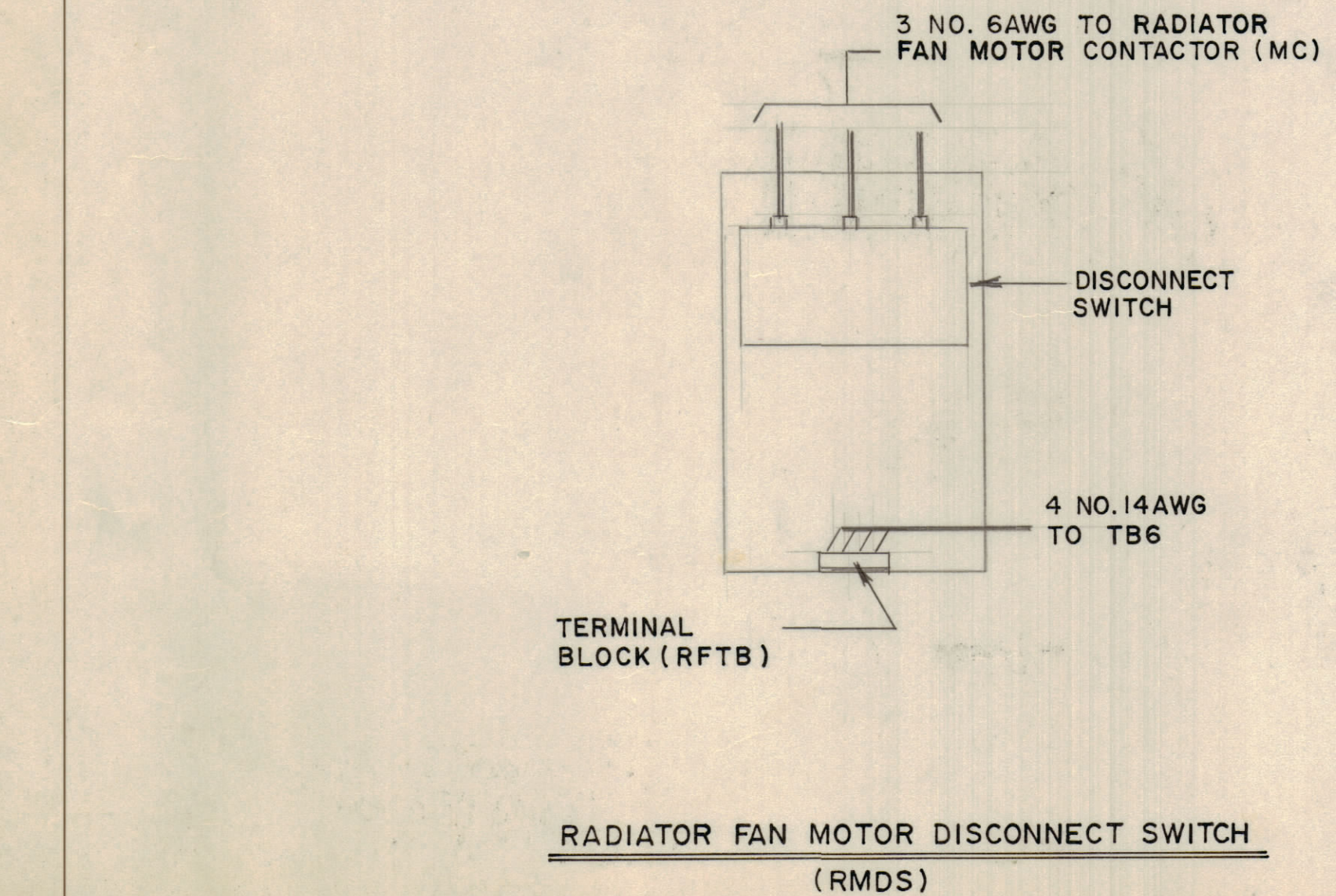
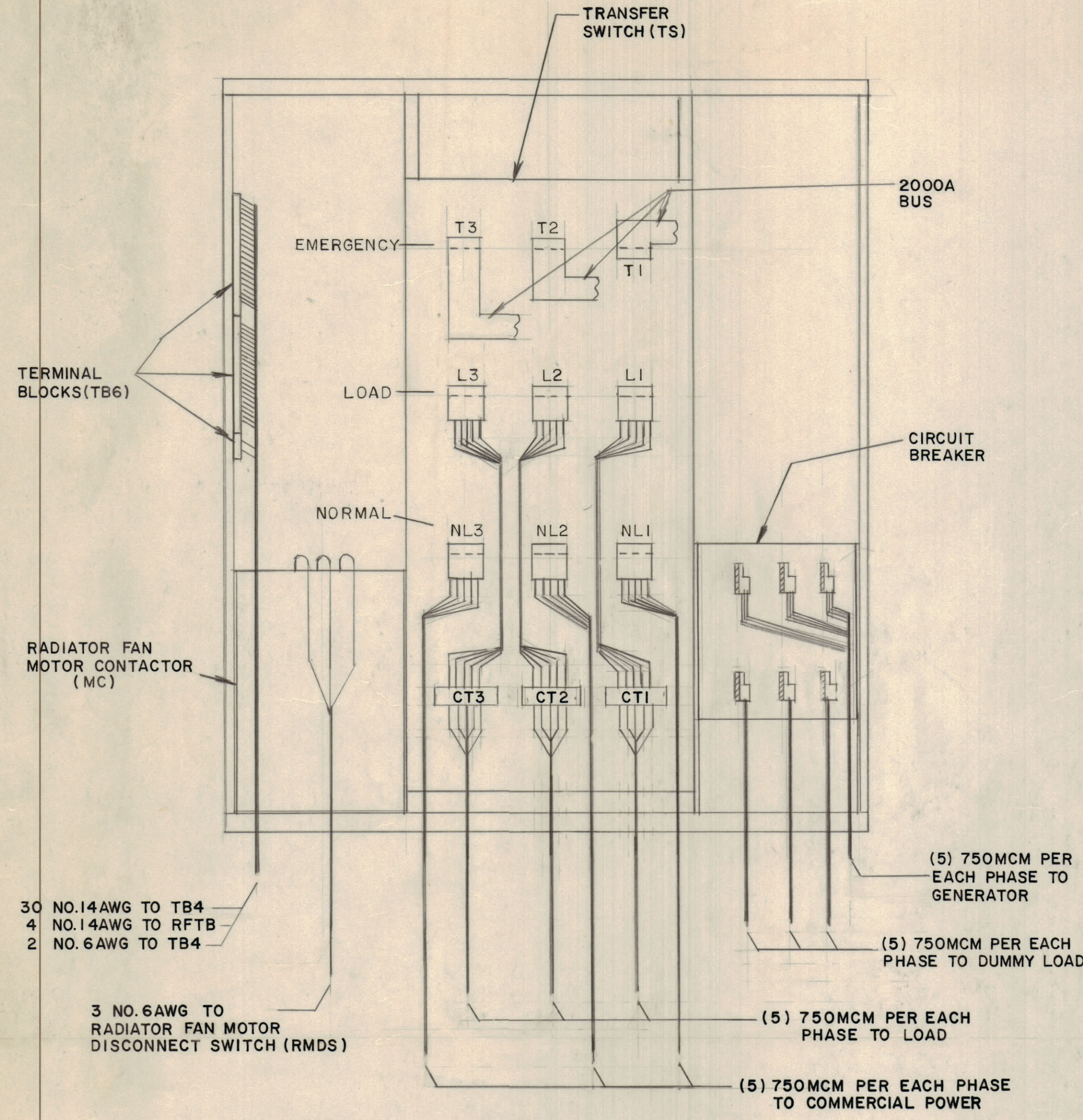


REVISIONS						
ZONE	LTR	DESCRIPTION	DATE	DRAFT	CHK'D	APPD



QTY REQ	QTY REQ	QTY REQ	ITEM	PART NO.	MANUFACTURER	DESCRIPTION	SYM
PARTS LIST							

INTERPRET DRAWING PER LISTED DOCUMENTS

UNLESS OTHERWISE SPECIFIED DIMENSIONS ARE IN INCHES AND INCLUDE CHEMICALLY APPLIED OR PLATED FINISHES REMOVE ALL BURRS AND SHARP EDGES

TOLERANCES ON FRACTIONS ANGLES DECIMALS

MATERIAL

FINISH

NOTICE TO PERSONS RECEIVING THIS DRAWING THE TMC SYSTEMS AND POWER CORPORATION claims proprietary right in the material disclosed hereon. This drawing is issued in confidence for engineering information only and may not be reproduced or used to manufacture anything shown hereon without permission from THE TMC SYSTEMS AND POWER CORPORATION to the user. This drawing is loaned for mutual assistance and is subject to recall at any time.

DRAWN FERNANDEZ / ESF DATE 8-14-73

CHECKED [Signature] DATE 8-15-73

D. ENG. DATE

P. ENG. CRBrane DATE 24 Aug 73

P. MGR. DATE

CHIEF, ENG. DEPT. DATE 8-16-73

TMC QA [Signature] DATE 2-7-73

FAA QRO [Signature] DATE 9-29-73

THE TMC SYSTEMS AND POWER CORPORATION  
SPRINGFIELD, VIRGINIA

FIELD CONNECTIONS AND INTERCONNECTIONS FOR  
500KW ENGINE-GENERATOR SET  
120/208VAC

SIZE CODE IDENT NO DWG. NO. REV

D 24146 CK1832

SCALE NONE SHEET 1 OF 1