

5

4

3

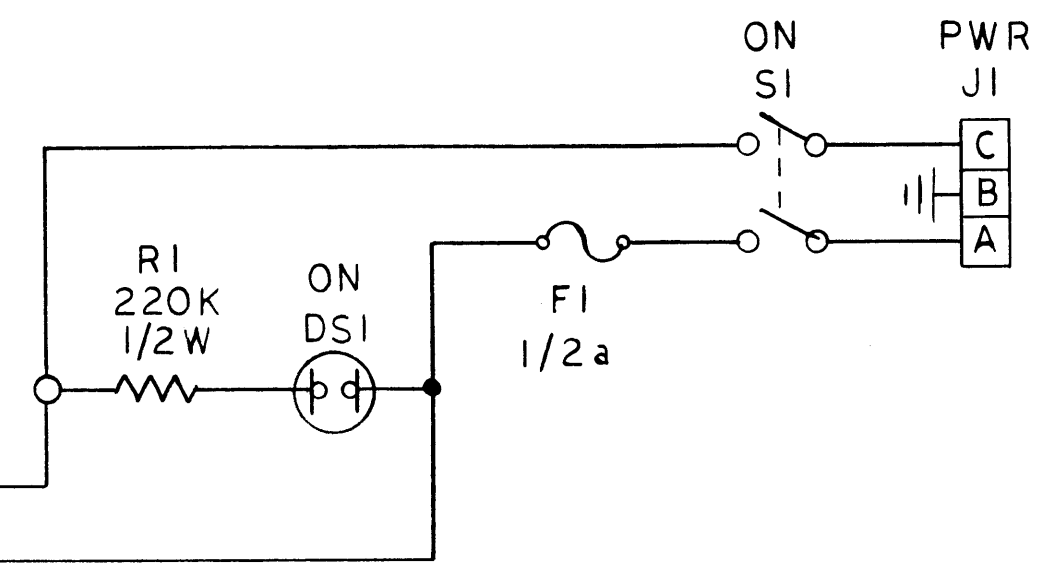
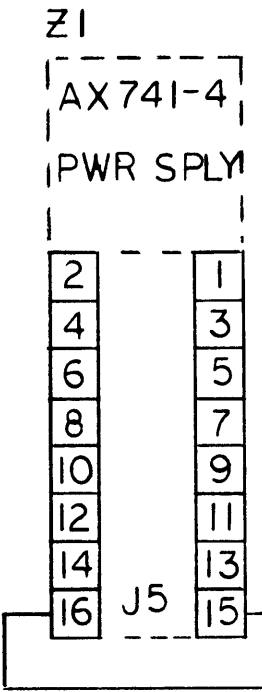
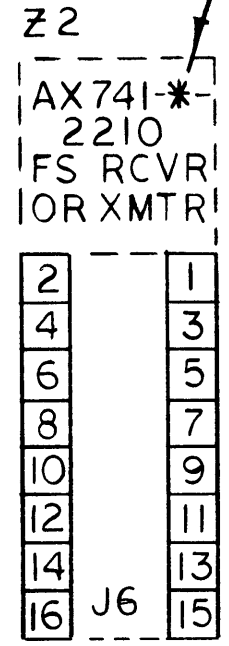
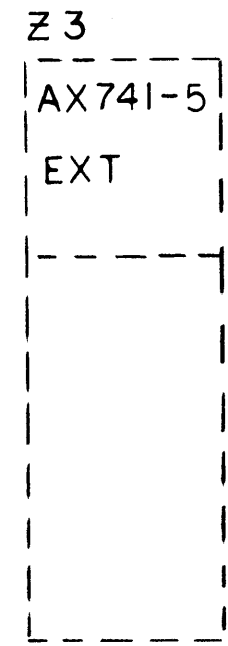
2

1

REVISIONS

ZONE	LTR	DESCRIPTION	DATE	E.M.N.NO	DRAFT	CHKD	APPD
	X1	*NOTE Added	12-17-71				
	Ø	ORIG RELEASE FOR PROD	1/19/72		CV		

* WHEN USING FSR-1 AX741-1 APPLIES
 * WHEN USING FSS-1 AX741-2 APPLIES



LAST SYMBOLS	MISSING SYMBOLS
DS1	
F1	
J6	J2,3,4
R1	
SI	
XDS1	
XFI	
Z3	

	FSR-1 (FSS-1)	AX5157
QTY / UNIT	MODEL USED ON	ASS'Y NO.
APPLICATION		
	CODE	

NOTICE TO PERSONS RECEIVING THIS DRAWING
 THE TECHNICAL MATERIEL CORPORATION claims proprietary right in the material disclosed hereon. This drawing is issued in confidence for engineering information only and may not be reproduced or used to manufacture anything shown hereon without permission from THE TECHNICAL MATERIEL CORPORATION to the user. This drawing is loaned for mutual assistance and is subject to recall at any time.

UNLESS OTHERWISE SPECIFIED DIMENSIONS ARE IN INCHES AND INCLUDE CHEMICALLY APPLIED OR PLATED FINISHES	
DECIMALS .X ± .05 .XX ± .01 .XXX ± .005	FRACTIONS TOLS. 1/64 ANGLES 0° -30'
MATERIAL	
FINISH	

REQ'D	ITEM	PART NUMBER	DESCRIPTION	SYM.
LIST OF MATERIAL				
FINAL APPROVAL		DATE	THE TECHNICAL MATERIEL CORP.	
MECH. DES.		DATE	MAMARONECK, NEW YORK	
ELECT. DES.		DATE	DIAGRAM, WIRING	
CHECKED		DATE		
DRAWN		DATE		
SIZE	CODE IDENT. NO.	DWG NO.	ISSUE	
B	82679	CK1926	Ø	
SCALE		SHEET OF		

5

4

3

2

1