

5

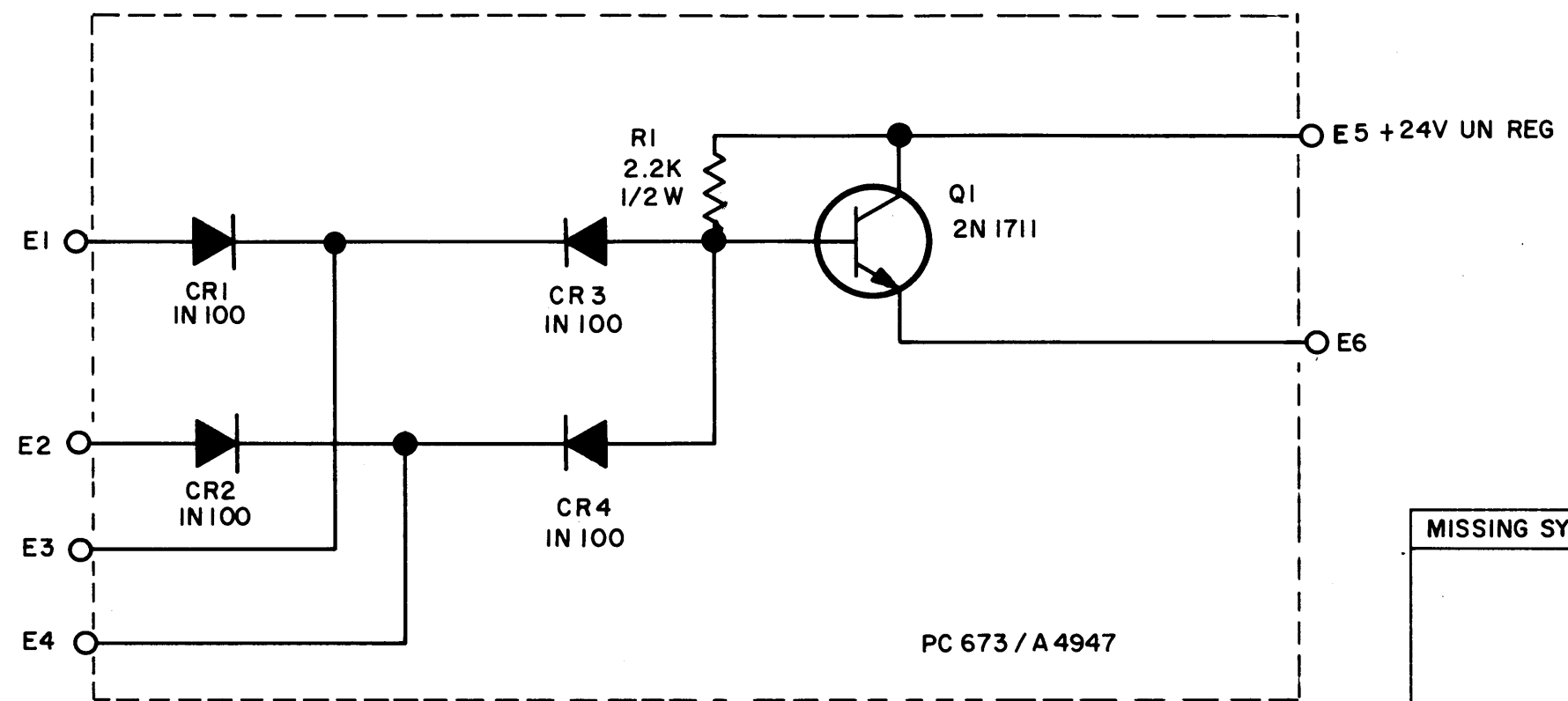
4

3

2

1

REVISIONS							
E.M.N. NO.	DRAFT	CHKD	ZONE	LTR	DESCRIPTION	DATE	APPROVED
				Ø	ORIG. RELEASE FOR PROD.	3/29/73	



PC 673 / A 4947

MISSING SYMBOL	LAST SYMBOL
	CR4
	E6
	Q1
	R1

RSU-1		A4947	
QTY / UNIT	MODEL USED ON	ASS'Y NO.	
APPLICATION			
		CODE	

NOTICE TO PERSONS RECEIVING THIS DRAWING
 THE TECHNICAL MATERIEL CORPORATION claims proprietary right in the material disclosed hereon. This drawing is issued in confidence for engineering information only and may not be reproduced or used to manufacture anything shown hereon without permission from THE TECHNICAL MATERIEL CORPORATION to the user. This drawing is loaned for mutual assistance and is subject to recall at any time.

UNLESS OTHERWISE SPECIFIED DIMENSIONS ARE IN INCHES AND INCLUDE CHEMICALLY APPLIED OR PLATED FINISHES

DECIMALS	FRACTIONS
.X ± .05	TOLS. 1/64
.XX ± .01	ANGLES 0° - 30'
.XXX ± .005	

MATERIAL

FINISH

REQ'D	ITEM	PART NUMBER	DESCRIPTION	SYM.
F.B. LIST OF MATERIAL				
FINAL APPROVAL		DATE		
MECH DES.		DATE 3/26/73		
ELECT DES.		DATE 3/26/73		
CHECKED		DATE		
DRAWN		DATE 3/20/73		
SIZE	CODE IDENT. NO.	DWG NO.	ISSUE	
B	82679	CK1983	Ø	
SCALE		SHEET		OF

5

4

3

2

1

SS