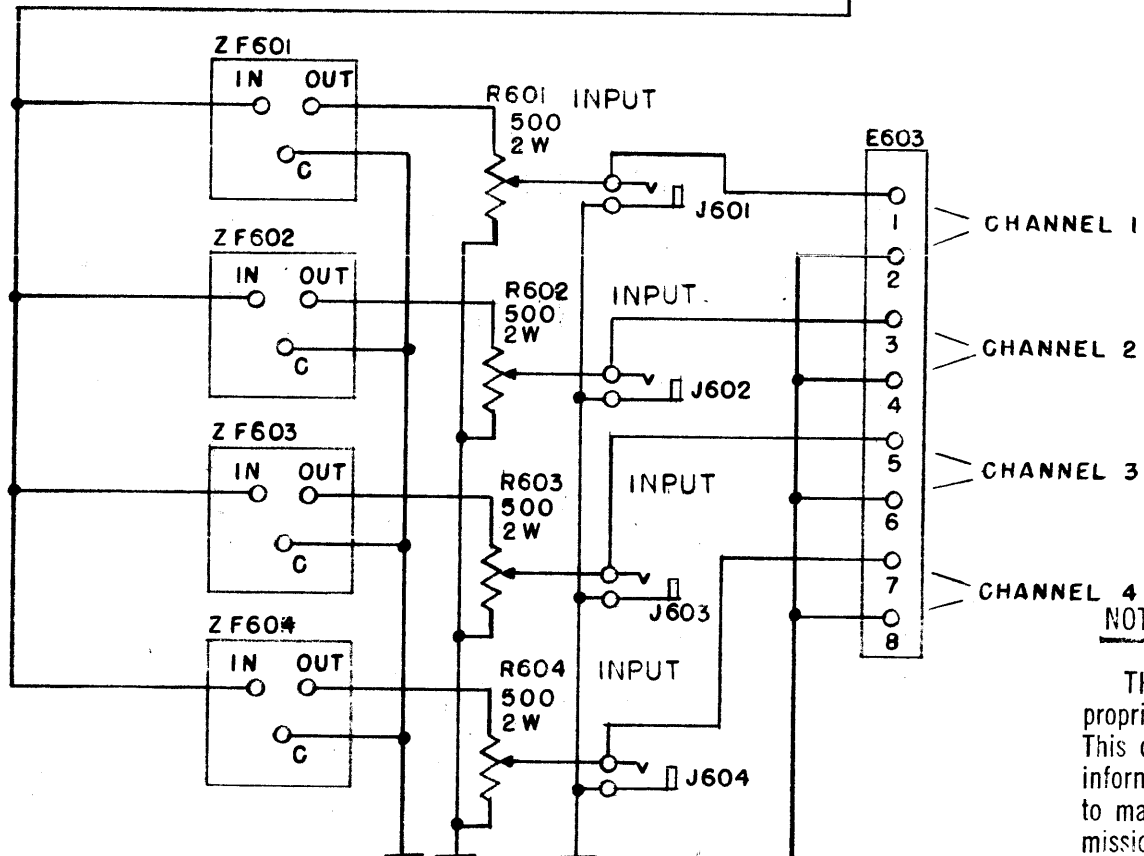
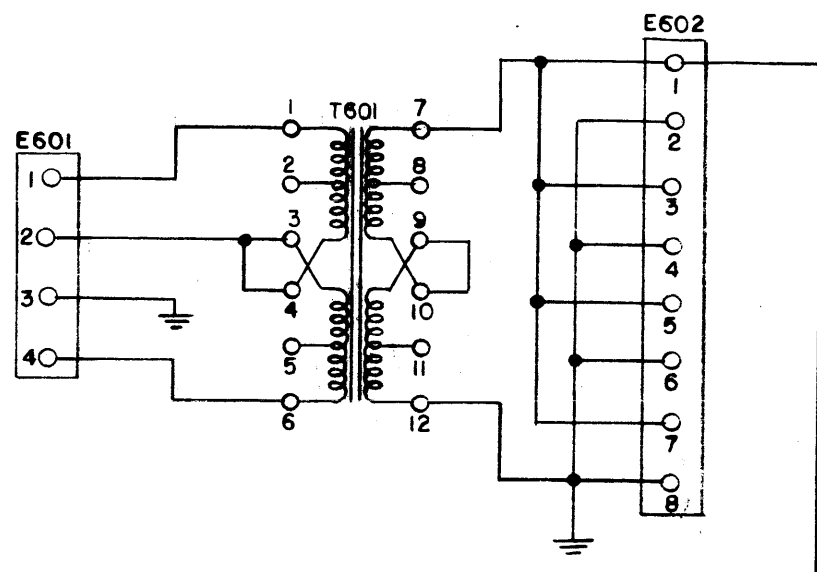


IF IT IS FOUND DESIRABLE TO CHANGE ANY TOLERANCE OR OTHER DETAIL SPECIFIED ON THIS DRAWING NOTIFY THE PURCHASER PROMPTLY.

MAXIMUM ALLOWABLE TOLERANCES HAVE BEEN DETERMINED AND DEVIATIONS WILL BE CAUSE FOR REJECTION. REMOVE ALL BURRS AND SHARP EDGES

CK-258 B



PART NO. TO BE IN FOLLOWING FORM
FX-140-XXX
FREQ. G.P.S

UNIT	SYMBOL	PART NUMBER	
			C P S
TRF A	ZF601A	FX-140 -	425
	ZF602A	FX-140 -	595
	ZF603A	FX-140 -	765
	ZF604A	FX-140 -	935
TRF B	ZF601B	FX-140 -	1105
	ZF602B	FX-140 -	1275
	ZF603B	FX-140 -	1445
	ZF604B	FX-140 -	1615
TRF C	ZF601C	FX-140 -	1785
	ZF602C	FX-140 -	1955
	ZF603C	FX-140 -	2125
	ZF604C	FX-140 -	2295
TRF D	ZF601D	FX-140 -	2465
	ZF602D	FX-140 -	2635
	ZF603D	FX-140 -	2805
	ZF604D	FX-140 -	2975
TRF E	ZF601E	FX-145 -	595
	ZF602E	FX-145 -	935
	ZF603E	FX-145 -	1275
	ZF604E	FX-145 -	1615
TRF F	ZF601F	FX-145 -	1955
	ZF602F	FX-145 -	2295
	ZF603F	FX-145 -	2635
	ZF604F	FX-145 -	2975
TRF G	ZF601G	FX-146 -	935
	ZF602G	FX-146 -	1445
	ZF603G	FX-146 -	1955
	ZF604G	FX-146 -	2465

NOTICE TO PERSONS RECEIVING THIS DRAWING

THE TECHNICAL MATERIEL CORPORATION claims proprietary right in the material disclosed hereon. This drawing is issued in confidence for engineering information only and may not be reproduced or used to manufacture anything shown hereon without permission from THE TECHNICAL MATERIEL CORPORATION to the user. This drawing is loaned for mutual assistance and is subject to recall at any time.

Property of:
THE TECHNICAL MATERIEL CORPORATION
MAMARONECK, NEW YORK

ISSUE	ITEM	CHANGED FROM	DATE	CN. NO.	DRAFTS	CHECKER	ENG. APP.
B	1	INPUT WAS OUTPUT	3-21-57	2		FC	A.J.J.
A	4	SPEED COLUMN OF CHART DELE.					
	3	SCHEMATIC CHG'D.	1/25/57	1		16	A.J.J.
	2	SYMBOL SERIES WAS SINGLE DIGIT					
	1	FX-140 WAS FX-144					

TOLERANCES		SCALE:
ALL OTHERS	DEC. DIM. ± FRAC. DIM. ± ANGULAR DIM. ±	DRILL, PUNCH, COMMERCIAL STOCK SIZES AND MANUFACTURERS TOLERANCES ARE NOT INCLUDED.

TRF	250		9-13-54
MODEL	PROJECT NO.	ASS'Y. NO.	DATE

REQ.	ITEM	PART NO.	DESCRIPTION	SYMBOL
			THE TECHNICAL MATERIEL CORP. MAMARONECK, NEW YORK	
			SCHEMATIC DIAGRAM	
			TRF	
			CDD	
			DRAWN	ELEC. DES. APP. MECH. DES. APP.
			HEAT TREAT. SPEC.	CHECKED
			FINAL APPROVAL	
			CK-258 B	