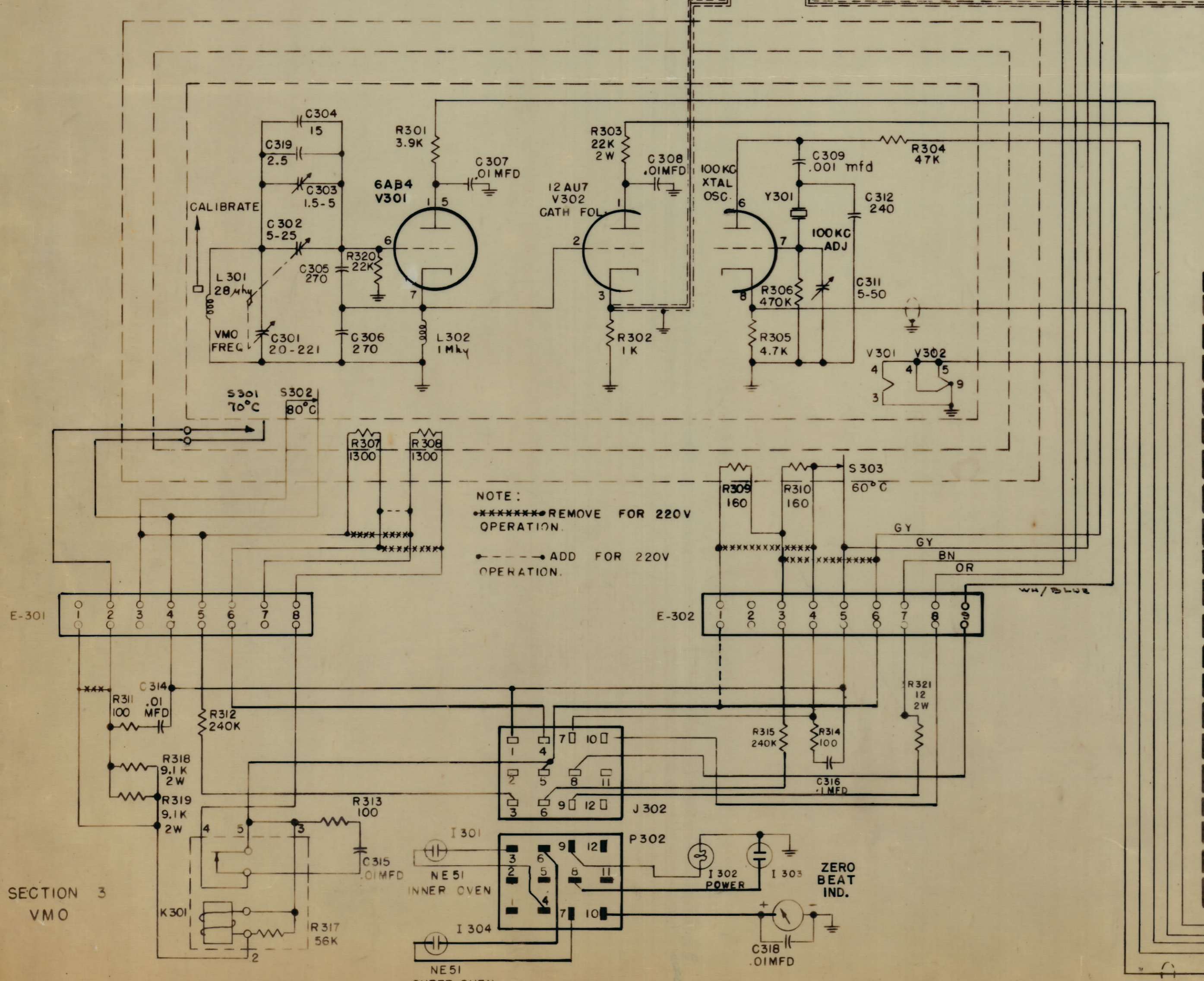
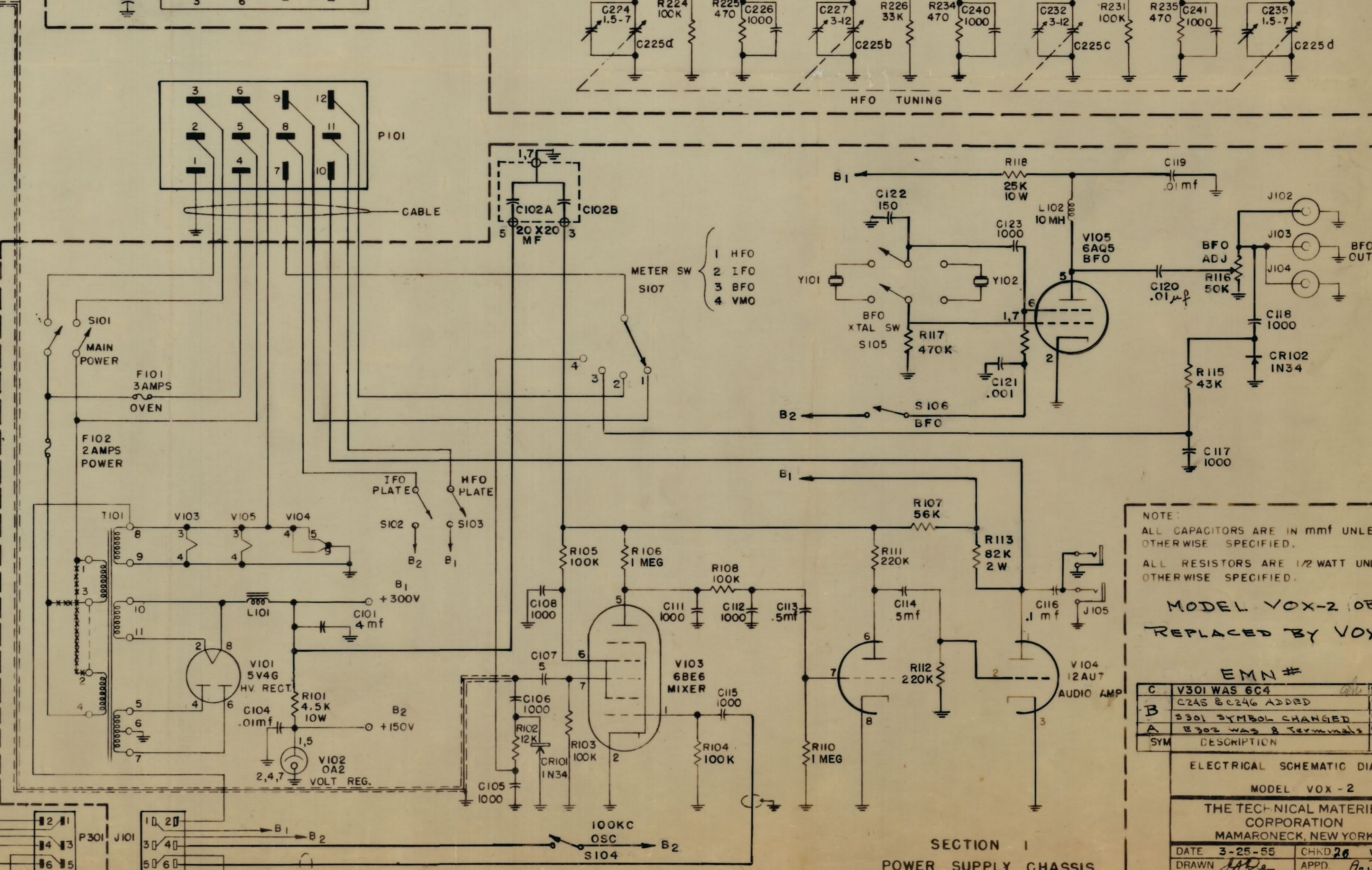


SECTION 2  
R.F. CHASSIS



SECTION 3  
VMO



SECTION 1  
POWER SUPPLY CHASSIS

NOTE:  
\*\*\*\*\* REMOVE FOR 220V OPERATION  
----- ADD FOR 220V OPERATION.

NOTE:  
ALL CAPACITORS ARE IN MMF UNLESS OTHERWISE SPECIFIED.  
ALL RESISTORS ARE 1/2 WATT UNLESS OTHERWISE SPECIFIED.

MODEL VOX-2 OBSOLETE  
REPLACED BY VOX-3

EMN #	
C	V301 WAS 6C4
B	C245 & C246 ADDED
A	R301 SYMBOL CHANGED
SYM	DESCRIPTION
DATE	APPD.
SHEET	OF

ELECTRICAL SCHEMATIC DIAGRAM	
MODEL VOX-2	
THE TECHNICAL MATERIEL CORPORATION	
MAMARONECK, NEW YORK	
DATE	3-25-65
DRAWN	APPD.
SHEET	OF