

5

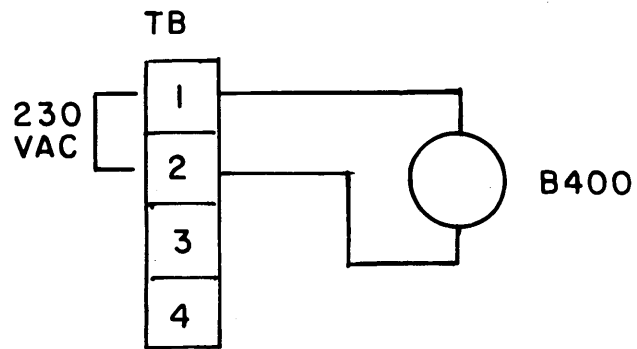
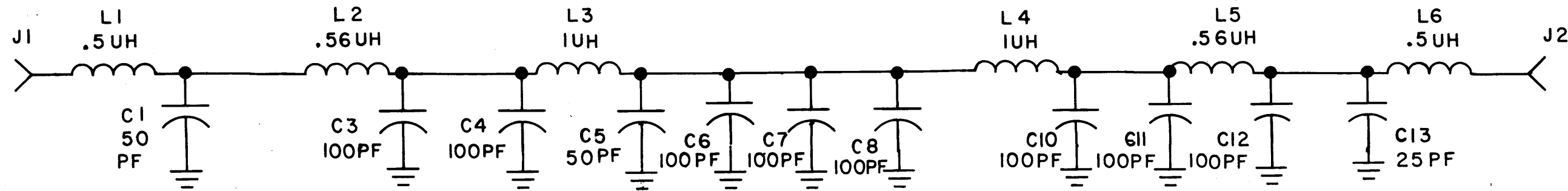
4

3

2

1

REVISIONS							
E.M.N. NO.	DRAFT	CHKD	ZONE	LTR	DESCRIPTION	DATE	APPROVED
				XI	C2 & C9 DELETED - C1 WAS 100 PF		



LPFA-10K-16		
QTY / UNIT	MODEL USED ON	ASS'Y NO.
APPLICATION		
CODE		

NOTICE TO PERSONS RECEIVING THIS DRAWING
 THE TECHNICAL MATERIEL CORPORATION claims proprietary right in the material disclosed hereon. This drawing is issued in confidence for engineering information only and may not be reproduced or used to manufacture anything shown hereon without permission from THE TECHNICAL MATERIEL CORPORATION to the user. This drawing is loaned for mutual assistance and is subject to recall at any time.

UNLESS OTHERWISE SPECIFIED
 DIMENSIONS ARE IN INCHES
 AND INCLUDE CHEMICALLY APPLIED
 OR PLATED FINISHES

DECIMALS FRACTIONS
 .X ± .05 TOLS. 1/64
 .XX ± .01 ANGLES
 .XXX ± .005 0° - 30'

MATERIAL

FINISH

REQ'D	ITEM	PART NUMBER	DESCRIPTION	SYM.
LIST OF MATERIAL				
FINAL APPROVAL <i>OB</i> DATE 5/17/77				
MECH. DES. DATE				
ELECT. DES. DATE 5-17-77				
CHECKED DATE				
DRAWN <i>G.D.L.</i> DATE 5-17-77				
SIZE B		CODE IDENT. NO. 82679	DWG NO. CK 2162	ISSUE XI
SCALE		SHEET		OF

THE TECHNICAL MATERIEL CORP.
 MAMARONECK, NEW YORK
DIAGRAM SCHEMATIC
LOW PASS FILTER

5

4

3

2

1