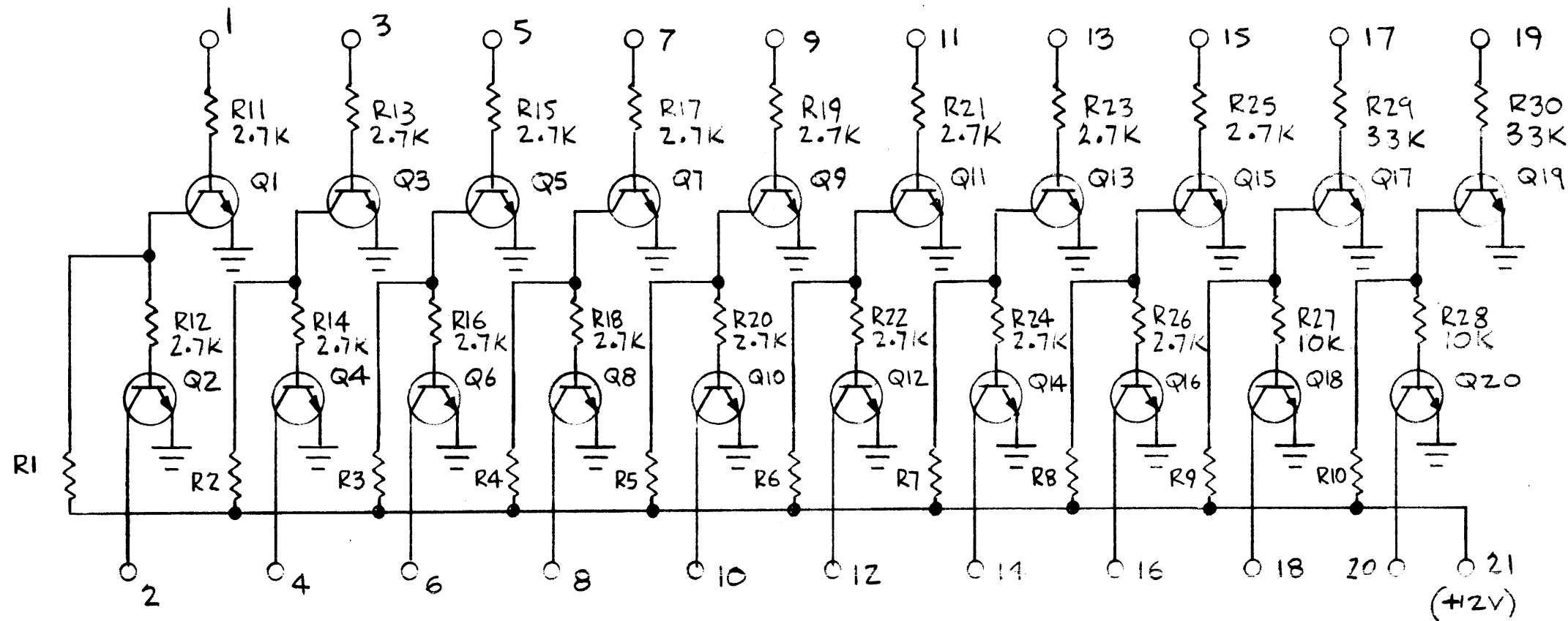


REVISIONS							
E.M.N. NO.	DRAFT	CHKD	ZONE	LTR	DESCRIPTION	DATE	APPROVED
	du			Ø	ORIGINAL RELEASE	7-9-80	



Q1 THRU Q20 ARE 2N3646

REQ'D	ITEM	PART NUMBER	DESCRIPTION	SYM.
LIST OF MATERIAL				
THE TECHNICAL MATERIEL CORP. MAMARONECK, NEW YORK				
SCHEMATIC, DECODER INTERFACE				
SIZE	CODE IDENT. NO.	DWG NO.	ISSUE	
B	82679	CK2233	Ø	
SCALE	SHEET		OF	

1	AX5224	R0ST 1
QTY / UNIT	MODEL USED ON	ASS'Y NO.
APPLICATION		
CODE		
<p>NOTICE TO PERSONS RECEIVING THIS DRAWING THE TECHNICAL MATERIEL CORPORATION claims proprietary right in the material disclosed hereon. This drawing is issued in confidence for engineering information only and may not be reproduced or used to manufacture anything shown hereon without permission from THE TECHNICAL MATERIEL CORPORATION to the user. This drawing is loaned for mutual assistance and is subject to recall at any time.</p>		

UNLESS OTHERWISE SPECIFIED DIMENSIONS ARE IN INCHES AND INCLUDE CHEMICALLY APPLIED OR PLATED FINISHES	
DECIMALS	FRACTIONS
.X ± .05	1/64
.XX ± .01	TOLS. ANGLES
.XXX ± .005	0°-30'
MATERIAL	
FINISH	

FINAL APPROVAL	DATE
MECH. DES. <i>RU</i>	DATE
ELECT. DES. <i>SD</i>	DATE
CHECKED	DATE
DRAWN <i>WJO</i>	DATE