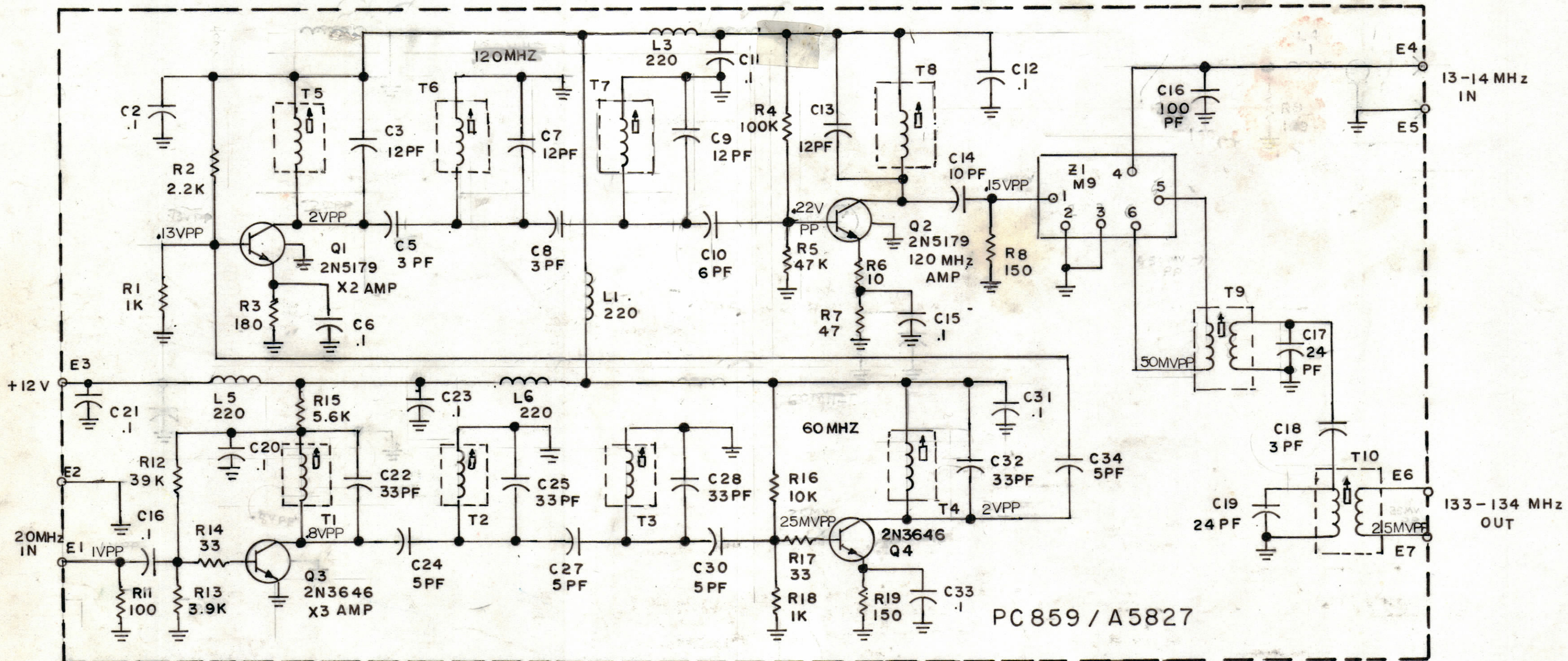


REVISIONS						
ZONE	LTR	DESCRIPTION	DATE	E.M.N.NO	DRAFT	CHKD APPD
	Ø	DELETE R9, C10 WAS 220 PF RELEASE FOR PRODUCTION	2-12-86			
	A	R4 DELETED	12-23-88		GDL	
	B	C10 WAS 3PF, C17 & C19 WERE 15PF, C18 WAS WAS 1PF	3-7-89		GDL	



PC 859 / A5827

LAST SYMBOL	MISSING SYMBOL
C34	C1, C4, C26, 29
L6	L2
Q4	R10
R19	
T10	
Z1	

UNLESS OTHERWISE SPECIFIED
 1- ALL CAPACITANCE ARE IN UFD
 2- ALL INDUCTANCE ARE IN UH
 3- ALL RESISTENCE ARE IN OHM 1/4 W

MMX-4		
QTY / UNIT	MODEL USED ON	ASS'Y NO.
APPLICATION		
CODE		
NOTICE TO PERSONS RECEIVING THIS DRAWING THE TECHNICAL MATERIEL CORPORATION claims proprietary right in the material disclosed hereon. This drawing is issued in confidence for engineering information only and may not be reproduced or used to manufacture anything shown hereon without permission from THE TECHNICAL MATERIEL CORPORATION to the user. This drawing is loaned for mutual assistance and is subject to recall at any time.		

QTY. REQ.	ITEM	PART NO.	DESCRIPTION	SYMBOL
LIST OF MATERIAL				
FINAL APPROVAL		DATE	THE TECHNICAL MATERIEL CORP.	
MECH. DES.		DATE	MAMARONECK, NEW YORK	
ELECT. DES.		DATE	SCHEMATIC, DIAGRAM	
CHECKED		DATE	60 MHz - 120 MHz - 133-134 MHz	
DRAWN		DATE	MULTI MIXER	
G.D.L.		7-17-85	SIZE	ISSUE
			C 82679	B
			CK2279	
			SCALE	SHEET OF