

5

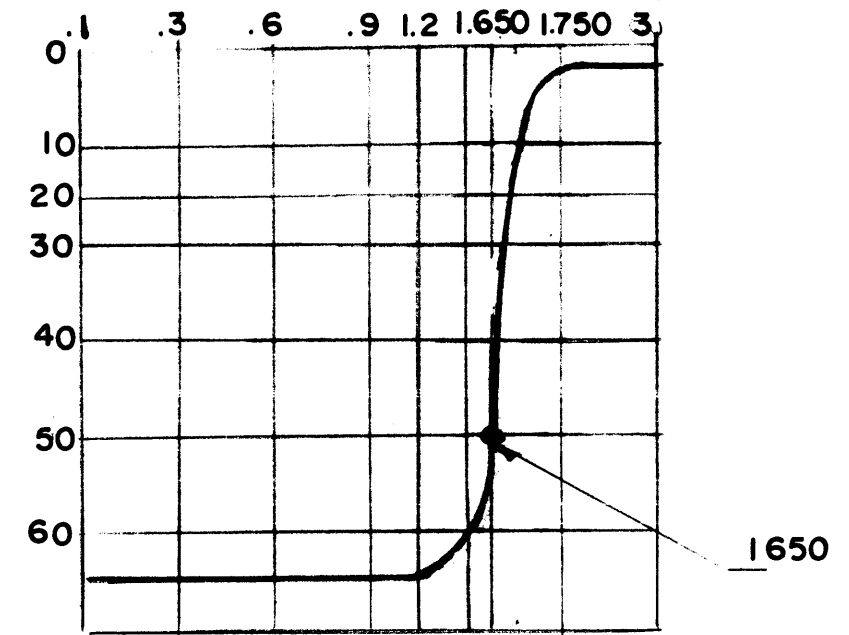
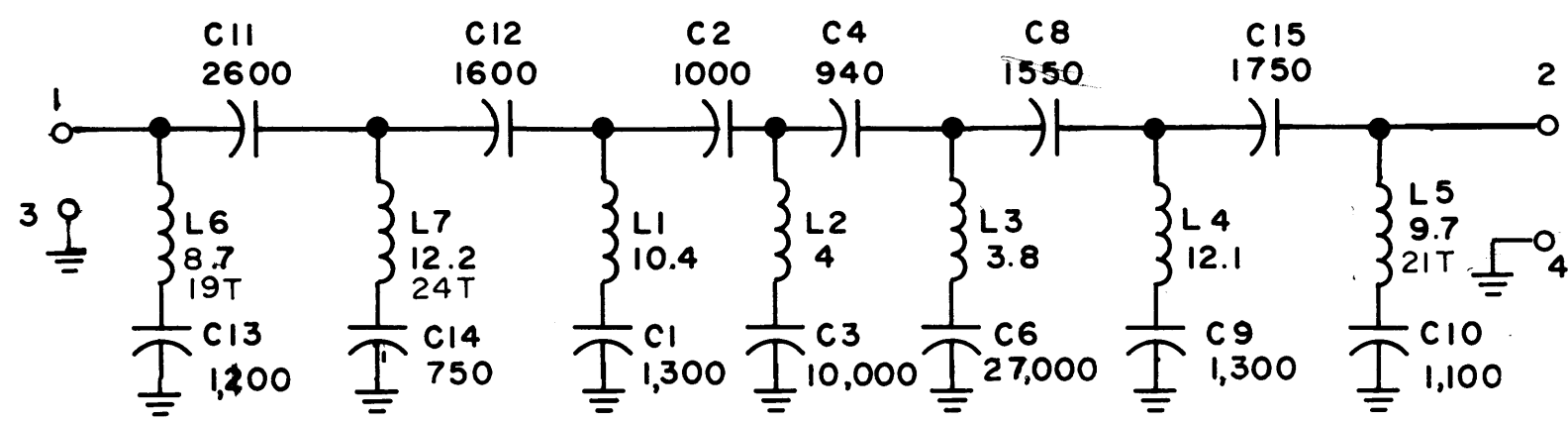
4

3

2

1

REVISIONS							
EM.N.NO.	DRAFT	CHKD	ZONE	LTR	DESCRIPTION	DATE	APPROVED



NOTES:
 UNLESS OTHERWISE SPECIFICATION
 ALL CAPACITOR VALUE ARE IN PF
 ALL INDUCTANCE VALUE ARE IN μ H

LF/MF 2 X 8		
QTY / UNIT	MODEL USED ON	ASS'Y NO.
APPLICATION		
CODE		

NOTICE TO PERSONS RECEIVING THIS DRAWING
 THE TECHNICAL MATERIEL CORPORATION claims proprietary right in the material disclosed hereon. This drawing is issued in confidence for engineering information only and may not be reproduced or used to manufacture anything shown hereon without permission from THE TECHNICAL MATERIEL CORPORATION to the user. This drawing is loaned for mutual assistance and is subject to recall at any time.

UNLESS OTHERWISE SPECIFIED
 DIMENSIONS ARE IN INCHES
 AND INCLUDE CHEMICALLY APPLIED
 OR PLATED FINISHES

DECIMALS: .X \pm .05, .XX \pm .01, .XXX \pm .005
 FRACTIONS: 1/64
 TOLS. ANGLES: 0°-30°

MATERIAL

FINISH

REQ'D	ITEM	PART NUMBER	DESCRIPTION	SYM.
LIST OF MATERIAL				
FINAL APPROVAL: <i>Q.B.</i> DATE				
MECH. DES. DATE				
ELECT. DES. DATE				
CHECKED DATE				
DRAWN: <i>G.D.L.</i> DATE: <i>10-19-88</i>				
SIZE	CODE IDENT. NO.	DWG NO.	ISSUE	
B	82679	CK 2298		
SCALE	SHEET		OF	

5

4

3

2

1