

5

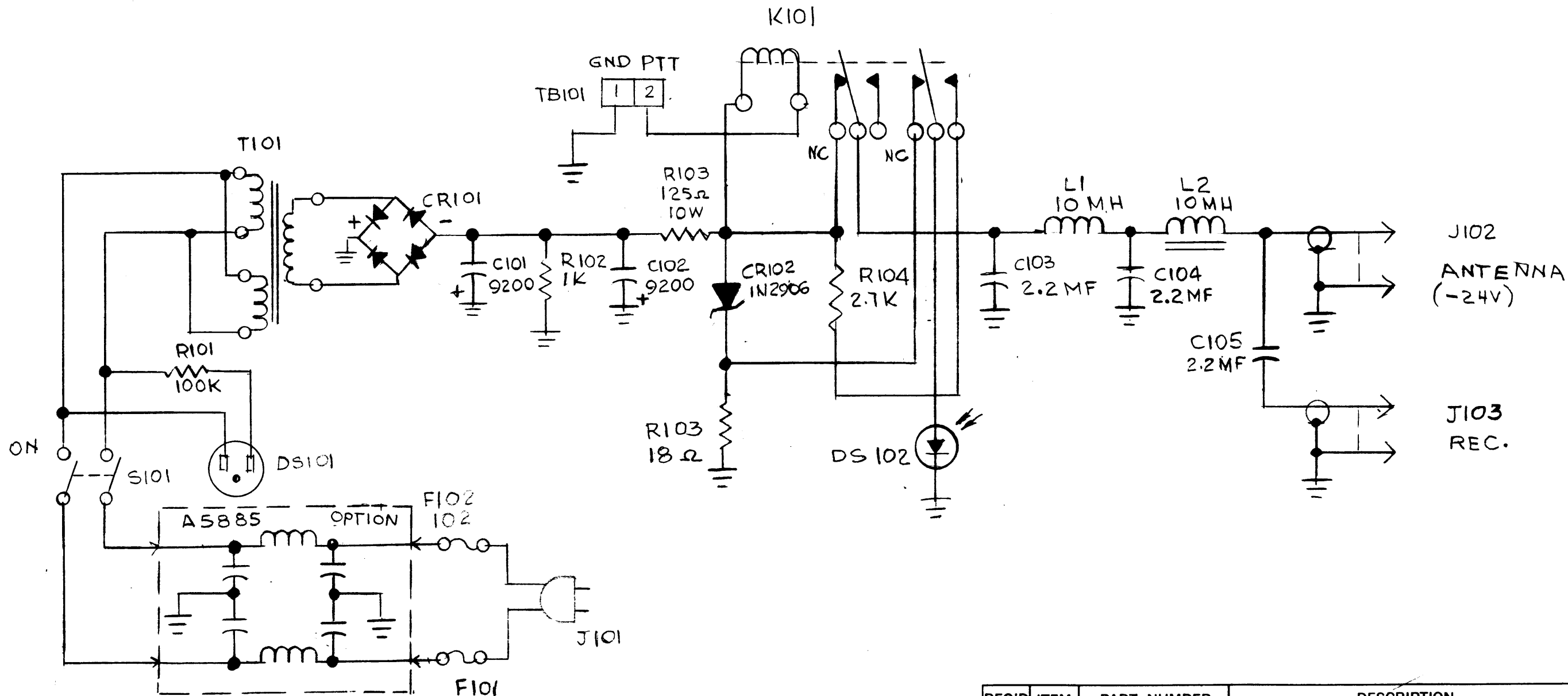
4

3

2

1

REVISIONS							
E.M.N. NO.	DRAFT	CHKD	ZONE	LTR	DESCRIPTION	DATE	APPROVED
	G.D.L			Ø	ORIGINAL RELEASE	12-3-90	
	G.D.L			Δ	REVISED & UPDATED	6-10-92	



REQ'D	ITEM	PART NUMBER	DESCRIPTION	SYM.
LIST OF MATERIAL				
THE TECHNICAL MATERIEL CORP. MAMARONECK, NEW YORK				
SCHEMATIC DIAGRAM POWER SUPPLY (HF/VLF)				
SIZE	CODE IDENT. NO.	DWG NO.	ISSUE	
B	82679	CK 2309	A	
SCALE	SHEET			OF

QTY / UNIT	MODEL USED ON	ASS'Y NO.
1	AVA-3 PAL-15	PSP-11
APPLICATION		
CODE		
<p>NOTICE TO PERSONS RECEIVING THIS DRAWING THE TECHNICAL MATERIEL CORPORATION claims proprietary right in the material disclosed hereon. This drawing is issued in confidence for engineering information only and may not be reproduced or used to manufacture anything shown hereon without permission from THE TECHNICAL MATERIEL CORPORATION to the user. This drawing is loaned for mutual assistance and is subject to recall at any time.</p>		

UNLESS OTHERWISE SPECIFIED DIMENSIONS ARE IN INCHES AND INCLUDE CHEMICALLY APPLIED OR PLATED FINISHES

DECIMALS	FRACTIONS
.X ± .05	1/64
.XX ± .01	TOLS. ANGLES
.XXX ± .005	0° - 30'

MATERIAL

FINISH

FINAL APPROVAL *[Signature]* DATE 12/27/90

MECH. DES. DATE

ELECT. DES. DATE

CHECKED DATE

DRAWN G.D.L. DATE 12-27-90

5

4

3

2

1