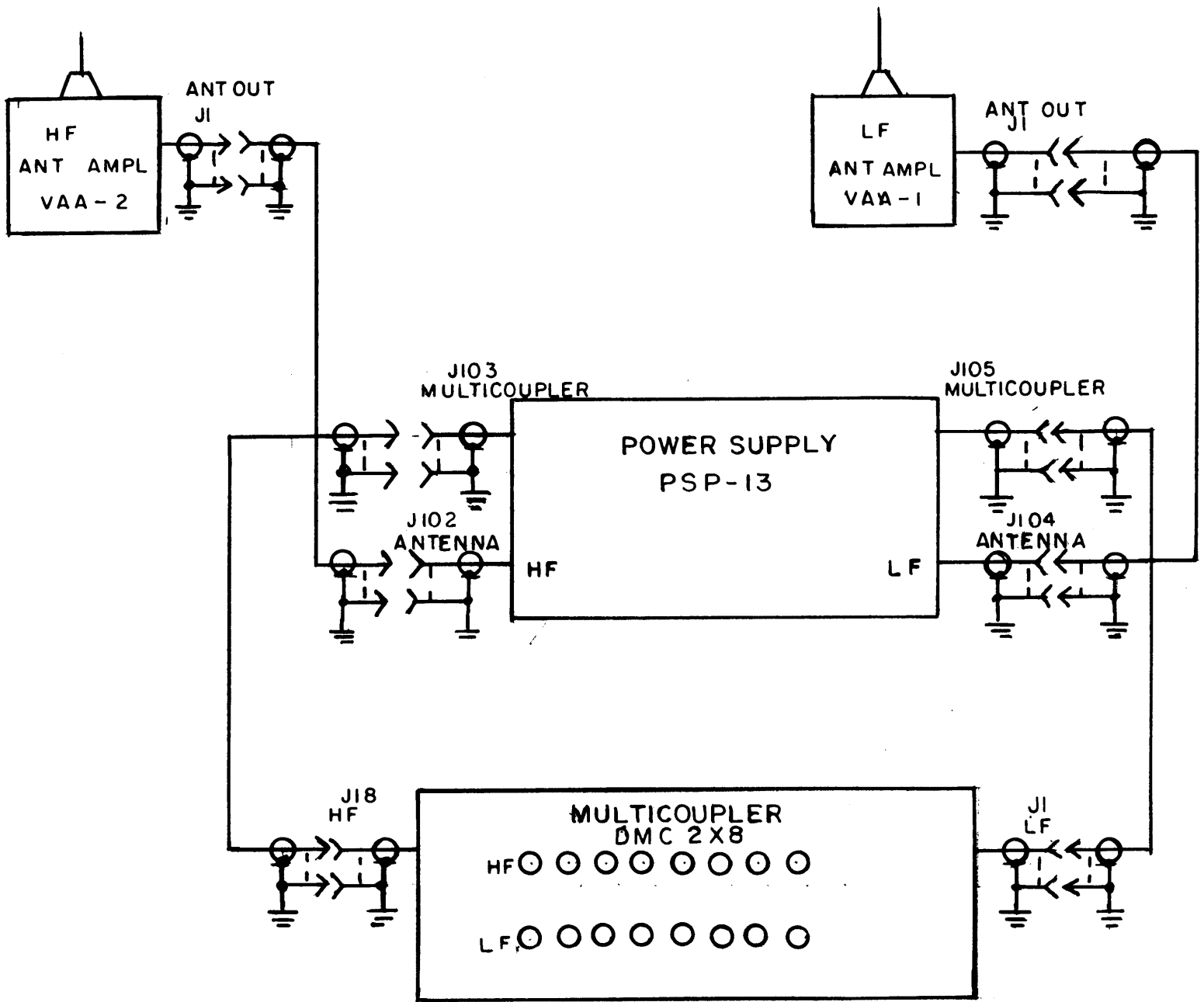


REVISIONS							
E.M.N. NO.	DRAFT	CHKD	ZONE	LTR	DESCRIPTION	DATE	APPROVED



REQ'D	ITEM	PART NUMBER	DESCRIPTION	SYM.
LIST OF MATERIAL				
<b>THE TECHNICAL MATERIEL CORP.</b> MAMARONECK, NEW YORK				
<b>AVA-4 INTERCONNECT SYSTEM</b>				
FINAL APPROVAL	<i>[Signature]</i>	DATE	3/24/92	
MECH. DES.		DATE		
ELECT. DES.		DATE		
CHECKED		DATE		
DRAWN	G.D.L.	DATE	3-20-92	
SIZE	B	CODE IDENT. NO.	82679	DWG NO.
				CK 2320
SCALE		SHEET		OF

QTY / UNIT	MODEL USED ON	ASS'Y NO.
APPLICATION		
	CODE	
NOTICE TO PERSONS RECEIVING THIS DRAWING THE TECHNICAL MATERIEL CORPORATION claims proprietary right in the material disclosed hereon. This drawing is issued in confidence for engineering information only and may not be reproduced or used to manufacture anything shown hereon without permission from THE TECHNICAL MATERIEL CORPORATION to the user. This drawing is loaned for mutual assistance and is subject to recall at any time.		

UNLESS OTHERWISE SPECIFIED  
DIMENSIONS ARE IN INCHES  
AND INCLUDE CHEMICALLY APPLIED  
OR PLATED FINISHES

DECIMALS	FRACTIONS
.X ± .05	1/64
.XX ± .01	TOLS. ANGLES
.XXX ± .005	0° .30'

MATERIAL

FINISH