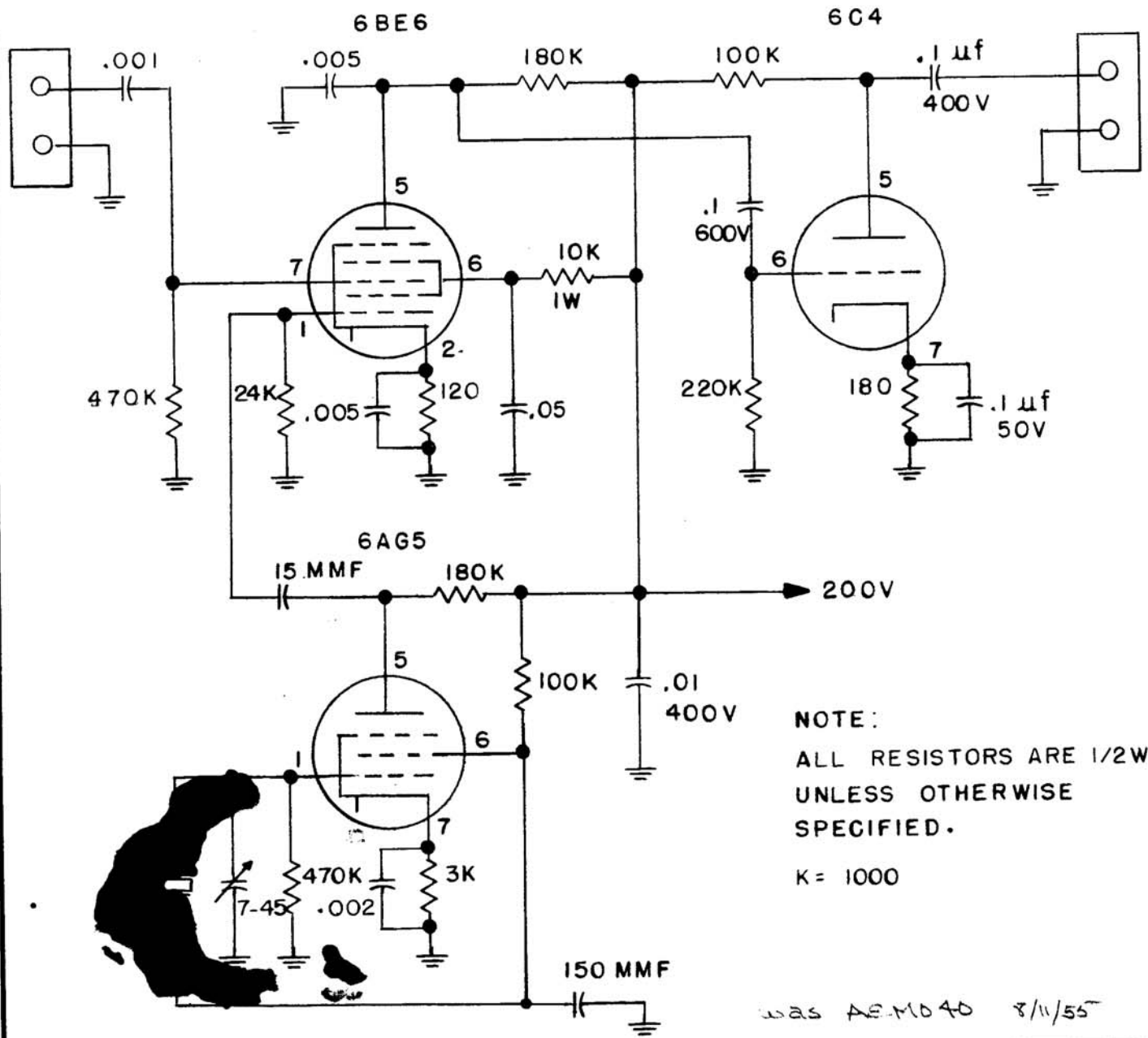
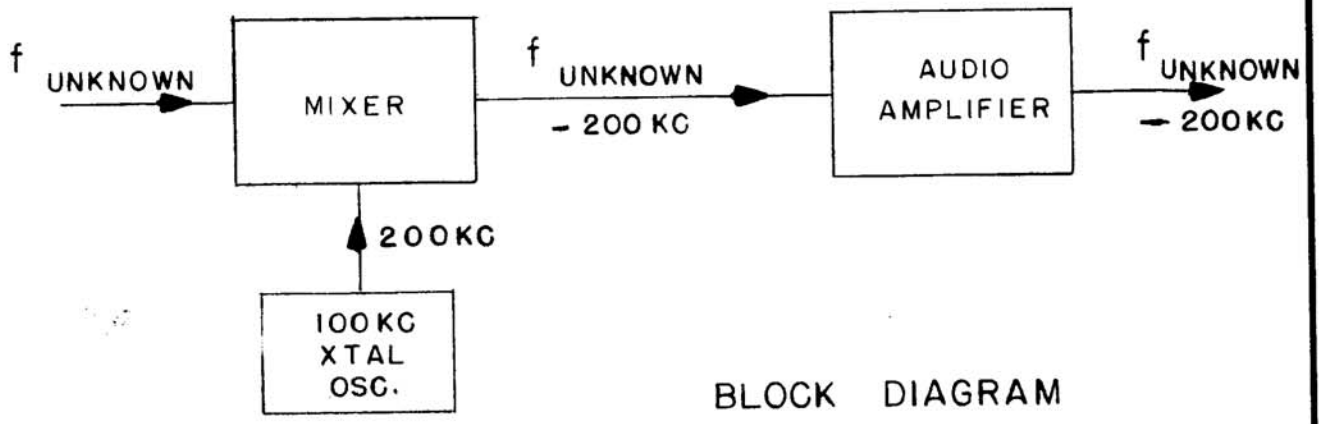


CK-306



NOTE:
 ALL RESISTORS ARE 1/2W
 UNLESS OTHERWISE
 SPECIFIED.
 K = 1000

was AEMD40 8/11/55

DATE 10-23-51	FIGURE 6-6 TEST CHASSIS MODEL XFK	THE TECHNICAL MATERIEL CORPORATION MAMARONECK, NEW YORK	
DRN. JADe		SHEET	OF
CHKD. APB		NO. CK-306	
APPD. [Signature]			