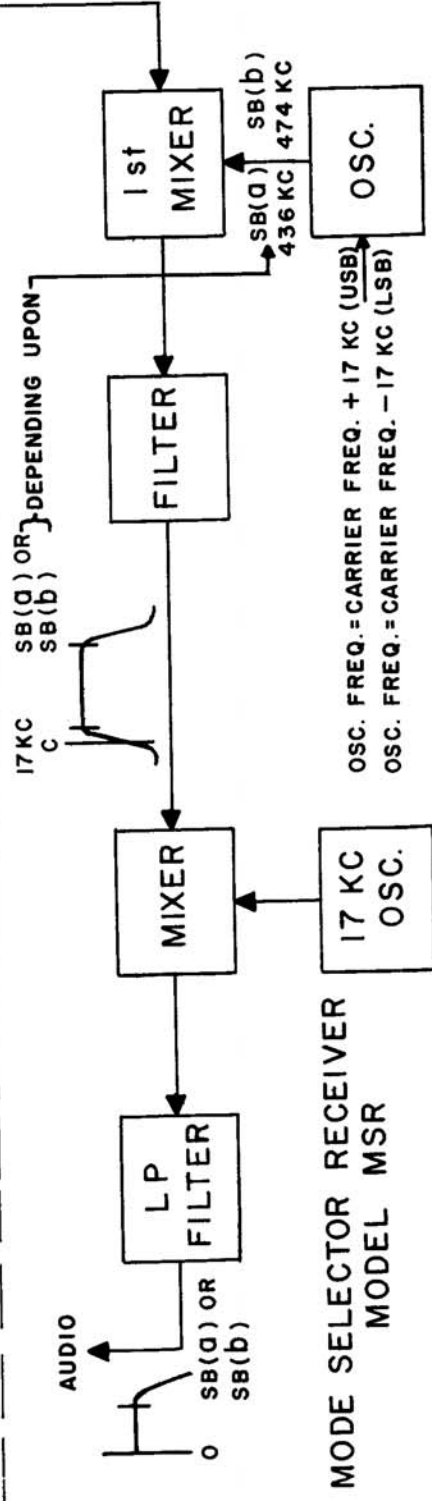
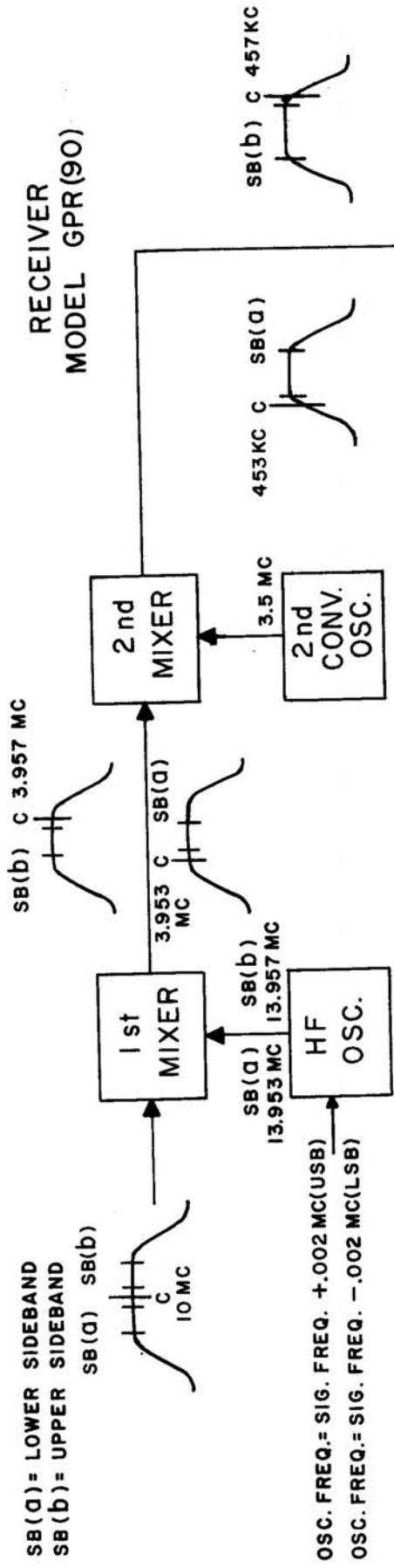


CK-346 A

REQ. PER. UNIT	MODEL	ASS'Y. NO.	DATE

EXAMPLE II — SHIFTED OPERATION WITH A DOUBLE CONVERSION RECEIVER



REQ. ITEM	PART NO.	DESCRIPTION	SYMBOL
		THE TECHNICAL MATERIEL CORP. MAMARONECK, NEW YORK	
		BLOCK DIAGRAM, EXAMPLE II	
		GPR-90 MSR (1), (4), (5)	
		16/19/57	A. J. J.
		DRAWN	CHECKED
		P.K.	FINAL APPROVAL
		ELEC. DES. APP. MECH. DES. APP.	CK-346 A
<p>SCALE:</p> <p>MAXIMUM ALLOWABLE TOLERANCES HAVE BEEN DETERMINED AND ANY DEVIATIONS WILL BE CAUSE FOR REJECTION. REMOVE ALL BURRS AND SHARP EDGES</p>			
ISSUE ITEM	CHANGED FROM	DATE	CH. NO. DRAFTS CHECKER ENG. APP.
A 1	EXAMPLE I WAS	9/29/58	P.K. JGR
<p>TOLERANCES</p> <p>DEC. DIM. ±</p> <p>FRAC. DIM. ±</p> <p>ANGULAR DIM. ±</p>			