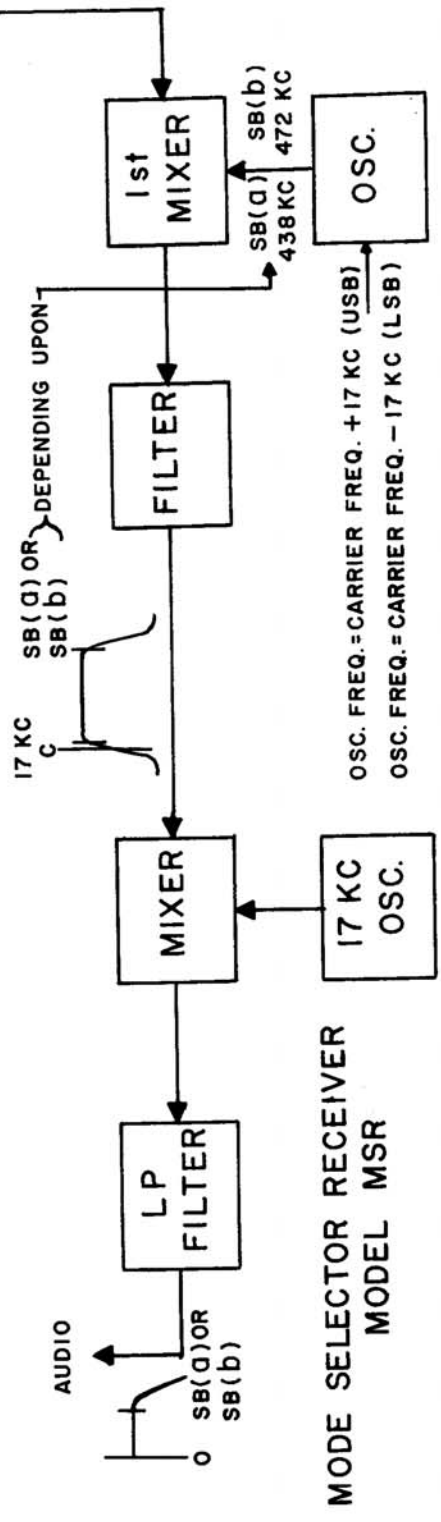
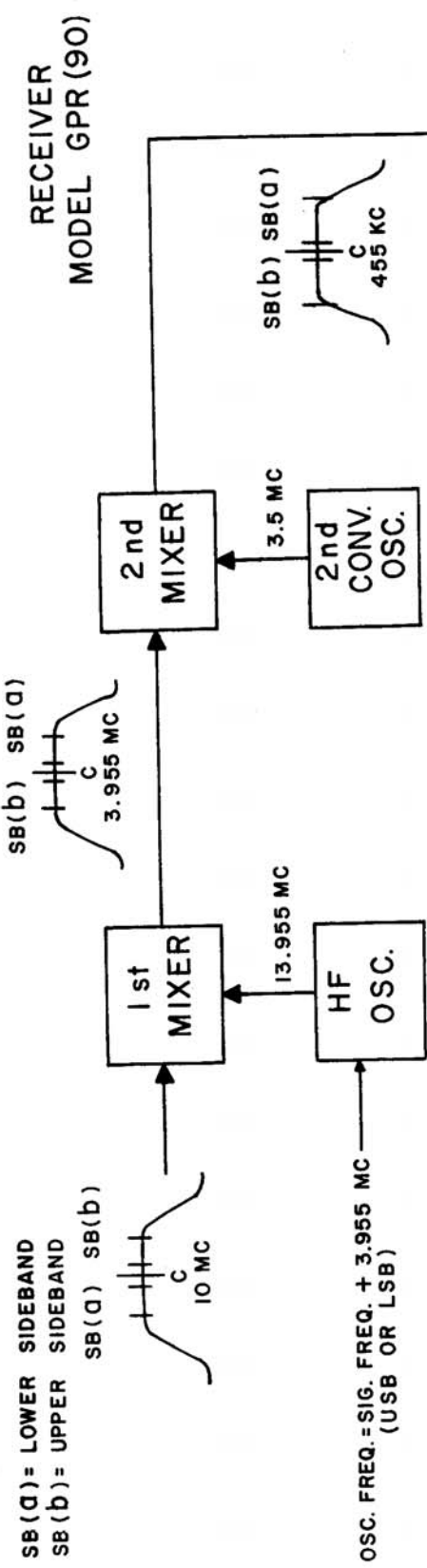


CK-347 A

|                |       |                   |      |
|----------------|-------|-------------------|------|
| REQ. PER. UNIT | MODEL | USED ON ASSY. NO. | DATE |
|----------------|-------|-------------------|------|

EXAMPLE I NORMAL CENTERED OPERATION WITH A DOUBLE CONVERSION RECEIVER



MODE SELECTOR RECEIVER  
MODEL MSR

| REQ. ITEM | DESCRIPTION  | PART NO. | SYMBOL |
|-----------|--|----------|--------|
|           | THE TECHNICAL MATERIEL CORP.<br>MAMARONECK, NEW YORK |          |        |
|           | BLOCK DIAGRAM, EXAMPLE I                             |          |        |
|           | GPR-90 - MSR (1), (4), (5)                           |          |        |
|           | 16 <sup>10/18/57</sup>                               |          |        |
|           | DRAWN  |          |        |
|           | CHECKED  |          |        |
|           | FINAL APPROVAL                                       |          |        |
|           | A. J. J.   |          |        |
|           | CK-347 A   |          |        |

| ISSUE ITEM | CHANGED FROM               | DATE    | CH. NO. | DRAFTS | CHECKER  | ENG. APP. |
|------------|----------------------------|---------|---------|--------|----------|-----------|
| A 1        | EXAMPLE I WAS CHANGED FROM | 9/29/58 | +       |        | P. R. K. | GPR       |

| TYPE & TEMPER | HEAT TREAT. SPEC. | FINISH & SPEC. NO. |
|---------------|-------------------|--------------------|
|               |                   |                    |

TOLERANCES

MAXIMUM ALLOWABLE TOLERANCES HAVE BEEN DETERMINED AND ANY DEVIATIONS WILL BE CAUSE FOR REJECTION.  
REMOVE ALL BURRS AND SHARP EDGES