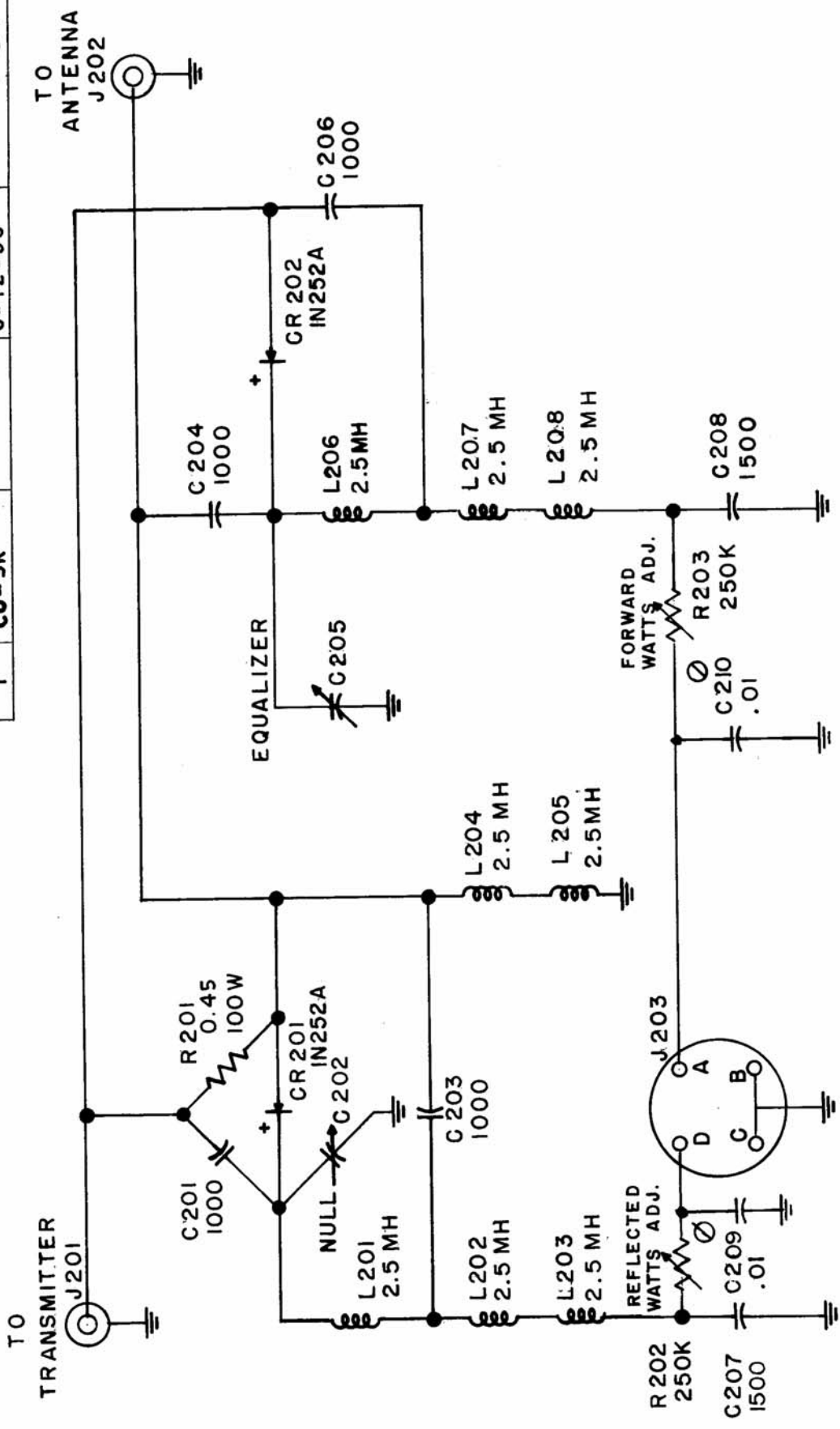


FIG 5-4

REQ. PER UNIT	1
MODEL	CU-3K
ASSY. NO.	
DATE	6-12-58

CK361 E



REQ. ITEM	PART NO.	DESCRIPTION	SYMBOL
		THE TECHNICAL MATERIEL CORP. MAMARONECK, NEW YORK	
		SCHEMATIC DIAGRAM	
		MODEL - CU-3K	
		6-12-58 HSE	DRN
		CHECKED	APPROVAL
			CK361 E
ISSUE ITEM	CHANGED FROM	DATE	CH. NO.
E	IN252A WAS IN-252	1-26-67	17729
TOLERANCES			
SCALE:			
MAXIMUM ALLOWABLE TOLERANCES HAVE BEEN DETERMINED AND ANY DEVIATIONS WILL BE CAUSE FOR REJECTION. REMOVE ALL BURRS AND SHARP EDGES			
DEC. DIM. ±			
FRAC. DIM. ±			
ANGULAR DIM. ±			
TYPE & TEMPER	HEAT TREAT. SPEC.	DRAWN	CHECKED
FINISH & SPEC. NO.			