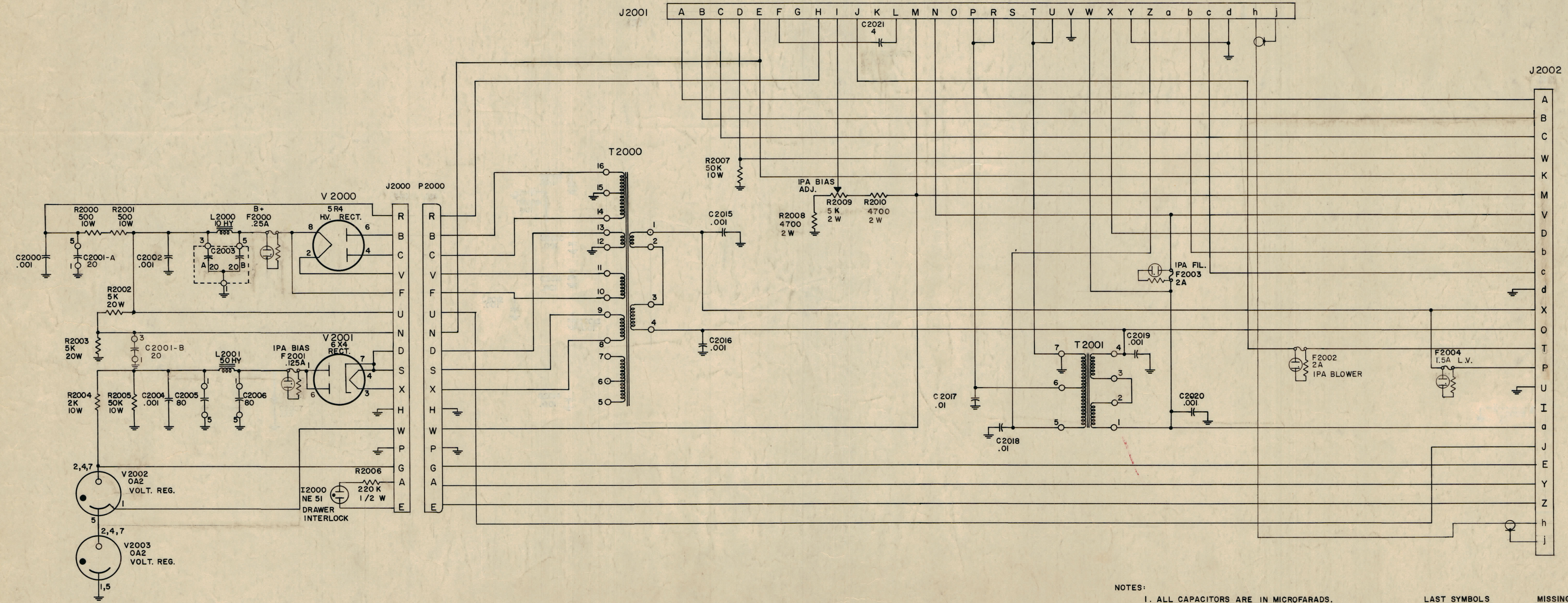


IF IT IS FOUND DESIRABLE TO CHANGE ANY TOLERANCE OR OTHER DETAIL SPECIFIED ON THIS DRAWING NOTIFY THE PURCHASER PROMPTLY.
 MAXIMUM ALLOWABLE TOLERANCES HAVE BEEN DETERMINED AND DEVIATIONS WILL BE CAUSE FOR REJECTION. REMOVE ALL BURRS AND SHARP EDGES

NOTICE TO PERSONS RECEIVING THIS DRAWING
 THE TECHNICAL MATERIEL CORPORATION claims proprietary right in the material disclosed hereon. This drawing is issued in confidence for engineering information only and may not be reproduced or used to manufacture anything shown hereon without permission from THE TECHNICAL MATERIEL CORPORATION to the user. This drawing is loaned for mutual assistance and is subject to recall at any time.
 Property of:
 THE TECHNICAL MATERIEL CORPORATION
 MAMARONECK, NEW YORK



NOTES:
 1. ALL CAPACITORS ARE IN MICROFARADS.
 2. FUSES - RESISTOR P/O FUSE SOCKET
 INDICATOR P/O FUSE SOCKET CAP

LAST SYMBOLS	MISSING SYMBOLS
C2021	C2008
F2004	C2009
I 2000	C2007
J2002	C2010
L2001	C2011
P2000	C2012
R2010	C2013
T2001	C2014
V2003	C2022

ISSUE	ITEM	CHANGED FROM	DATE	CN. NO.	DRAFTS	CHECKER	ENG. APP.
J	1	DELE C2002 & UPDATT SYM.	6/24/51	19485	GE	FB	
H	1	ON J2001 & J2002: PINS 1, 2, 3 & LINE ADDED.	1/28/51	13369	9F		
G	1	F2004 WAS 3A					
F	1	DELETED C2007, C2010, C2014	5/14/51	54463	2878		
E	1	C2008, C2009 DELETED	11/16/51	7909			
D	1	THIRD REMOVED FROM TITLE TERM. # 2 & 3 OF T2001 REVERSED (ERROR)	5/19/51				
C	2	RESISTOR AND IND. ADDED TO FUSES	4/29/51	937			
B	1	R2007 WAS 30K	5/9/51				
A	1	R2008 WAS 82K, 1/2W	4/1/51				
	2	R2009 WAS 50K	1/2/51				
	3	R2010 WAS 82K	3/30/51	804			
	4	C2001-B ADDED					
	5	C2001-A WAS 80					
	6	R2010 WAS 82K					
	7	MODEL WAS AA-164					

REQ. PER UNIT	MODEL	PROJECT NO.	ASSY. NO.	DATE
	AX-104	P/O GPT 10K		3-10-55

REQ.	ITEM	PART NO.	DESCRIPTION	SYMBOL
			THE TECHNICAL MATERIEL CORP. MAMARONECK, NEW YORK	
			SCHEMATIC DIAGRAM	
			AX-104	
			IORILLO	
			DRAWN	
			ELEC. DES. APP.	
			MECH. DES. APP.	
			CHECKED	
			FINAL APPROVAL	
			FINISH & SPEC. NO.	

T 28709
 PC 496
 411

Relucto 50%