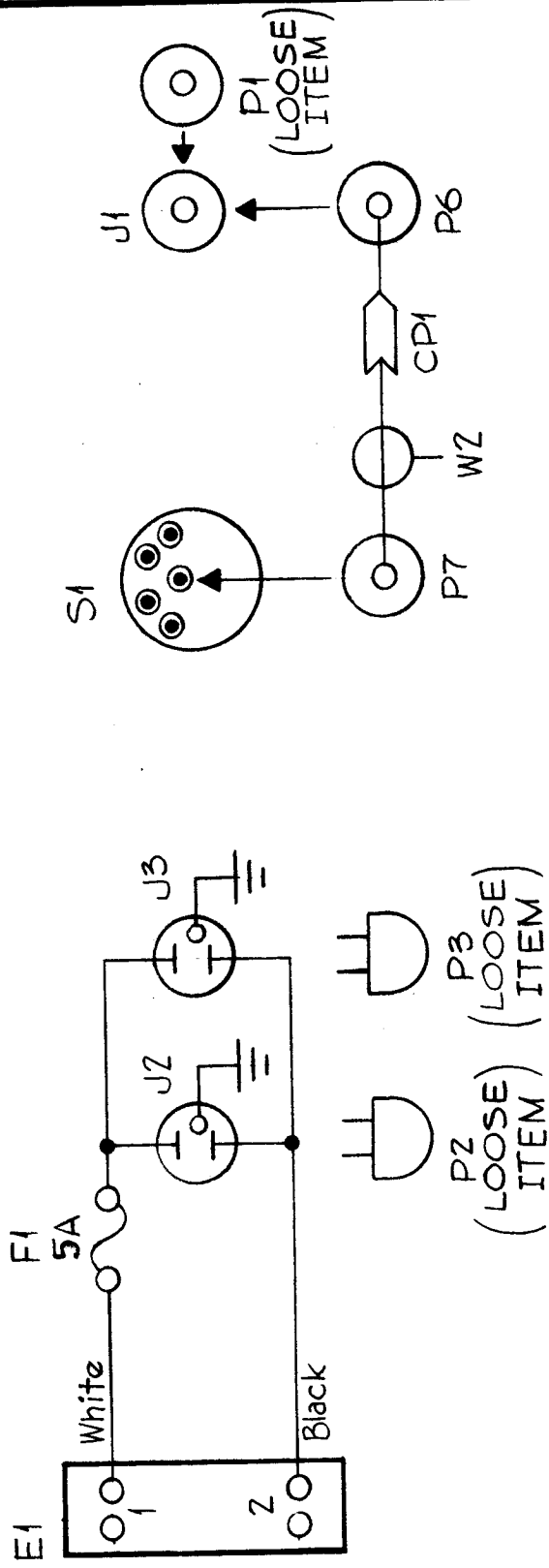


CK-461 A

REQ. PER UNIT	1
MODEL	APP-3
USED ON	ASSY. NO.
DATE	10-24-60



REG. ITEM	PART NO.	DESCRIPTION	SYMBOL
		THE TECHNICAL MATERIEL CORP.	
		MAMARONECK, NEW YORK	
		SCHMATIC DIAGRAM	
		(MODEL APP-3)	
A 1	10069	DELETED W/1 DELETED P4 AC INPUT	
ISSUE ITEM	CHANGED FROM	DATE	CH. NO.
		9/23/63	HD
		DRAFTS	CHECKER
		ENG. APP.	
TOLERANCES			
SCALE:			
MAXIMUM ALLOWABLE TOLERANCES HAVE BEEN DETERMINED AND ANY DEVIATIONS WILL BE CAUSE FOR REJECTION. REMOVE ALL BURRS AND SHARP EDGES			
DEC. DIM. ±			
FRAC. DIM. ±			
ANGULAR DIM. ±			
		J.C. Biela	
		DRAWN	CHECKED
		TYPE & TEMPER	HEAT TREAT. SPEC.
			FINAL APPROVAL
			CK-461 A
			ELEC. DES. APP. MECH. DES. APP.