

THE CONTENTS OF THIS DRAWING ARE THE EXCLUSIVE PROPERTY OF THE TECHNICAL MATERIEL CORP. ITS UNAUTHORIZED USE OR REPRODUCTION IN WHOLE OR IN PART IS STRICTLY FORBIDDEN.

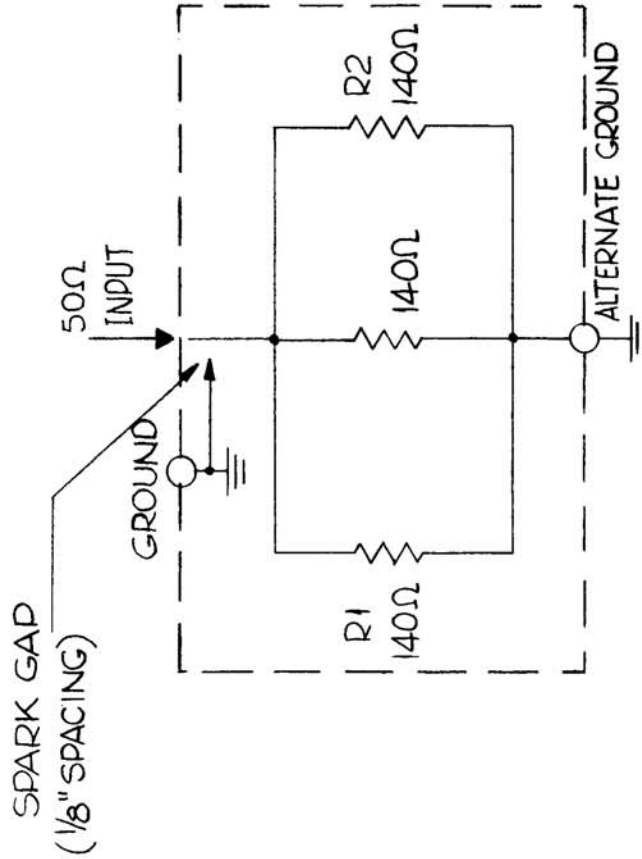
REQ. PER UNIT
1

MODEL
TER-5K-50

USED ON
ASSY. NO.

CK-566

DATE
1-27-62



UNLESS OTHERWISE SPECIFIED:

DIMENSIONS ARE IN INCHES
TOLERANCES ON
FRAC. $\pm 1/64$ DEC. $\pm .005$ ANGLES $\pm 1/2^\circ$

SCALE:
MAXIMUM ALLOWABLE TOLERANCES HAVE BEEN DETERMINED AND ANY DEVIATIONS WILL BE CAUSE FOR REJECTION. REMOVE ALL BURRS AND SHARP EDGES

REQ. ITEM	PART NO.	DESCRIPTION	SYMBOL
		THE TECHNICAL MATERIEL CORP. MAMARONECK, NEW YORK	
		DIAGRAM, SCHEMATIC	
		TER-5K-50	
		D. J. Man DRAWN	RUZZO CHECKED
		TYPE & TEMPER	FINAL APPROVAL
		HEAT TREAT. SPEC.	
		FINISH & SPEC. NO.	CK-566
		ELEC. DES. APP.	MECH. DES. APP.