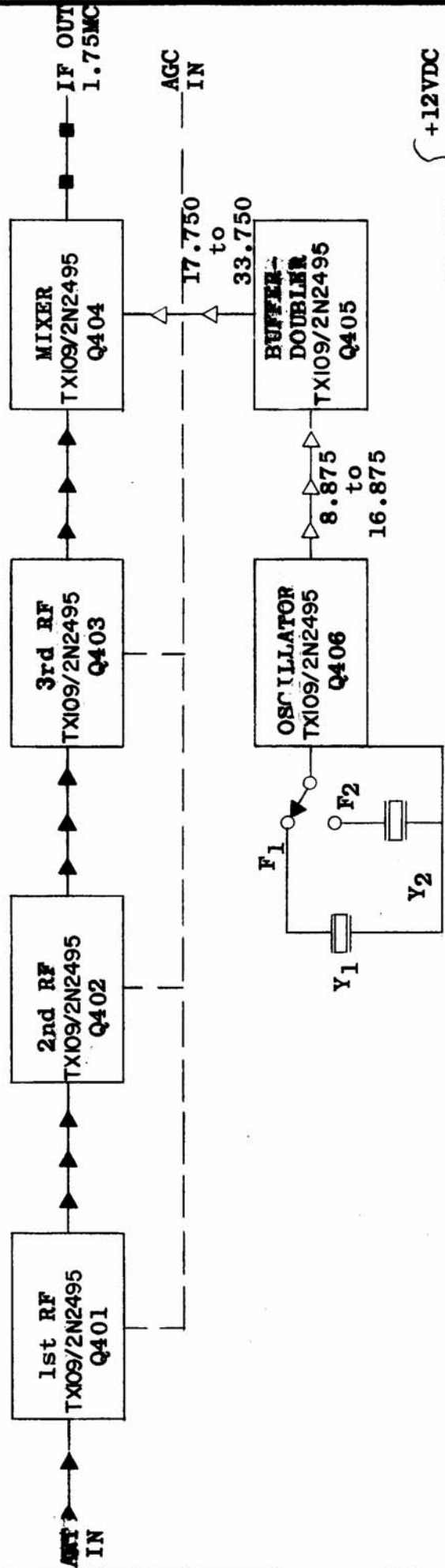


REQ. PER UNIT	MODEL	USED ON	DATE
	TTRR-4	ASSY. NO.	10-30-63
		CK-668	D



+12VDC  
 -12VDC  
 GND  
 TO ALL STAGES

- ▶ R.F. FREQUENCY = 16-32 MC
- ◁ INJECTION FREQUENCY = 17.750 - 33.750 MC
- AGC CONTROL VOLTAGE
- INTERMEDIATE FREQUENCY = 1.75 MC

REQ. ITEM	PART NO.	DESCRIPTION	SYMBOL
		PALMER	
		THE TECHNICAL MATERIEL CORP. MAMARONECK, NEW YORK	
		BLOCK DIAGRAM, RCVR. CONVERTER	
		TTRR-4 16-32 MC	
		W. A. ALUMER 11/18/63	FINAL APPROVAL
		CK-668	
		MECH. DES. APP.	
		ELEC. DES. APP.	
		FINISH & SPEC. NO.	
		TYPE & TEMPER	
		HEAT TREAT. SPEC.	
		CHECKER	
		ENG. APP.	
		DATE	
		CH. NO.	
		DRAFTS	
		CHECKER	
		SCALE	
		UNLESS OTHERWISE SPECIFIED DIMENSIONS ARE IN INCHES AND INCLUDE CHEMICALLY APPLIED OR PLATED FINISHES	
		FRACTIONS ± 1/64 ANGLES ± 0° 30'	
		TOLERANCES	
		CODE	
		A	