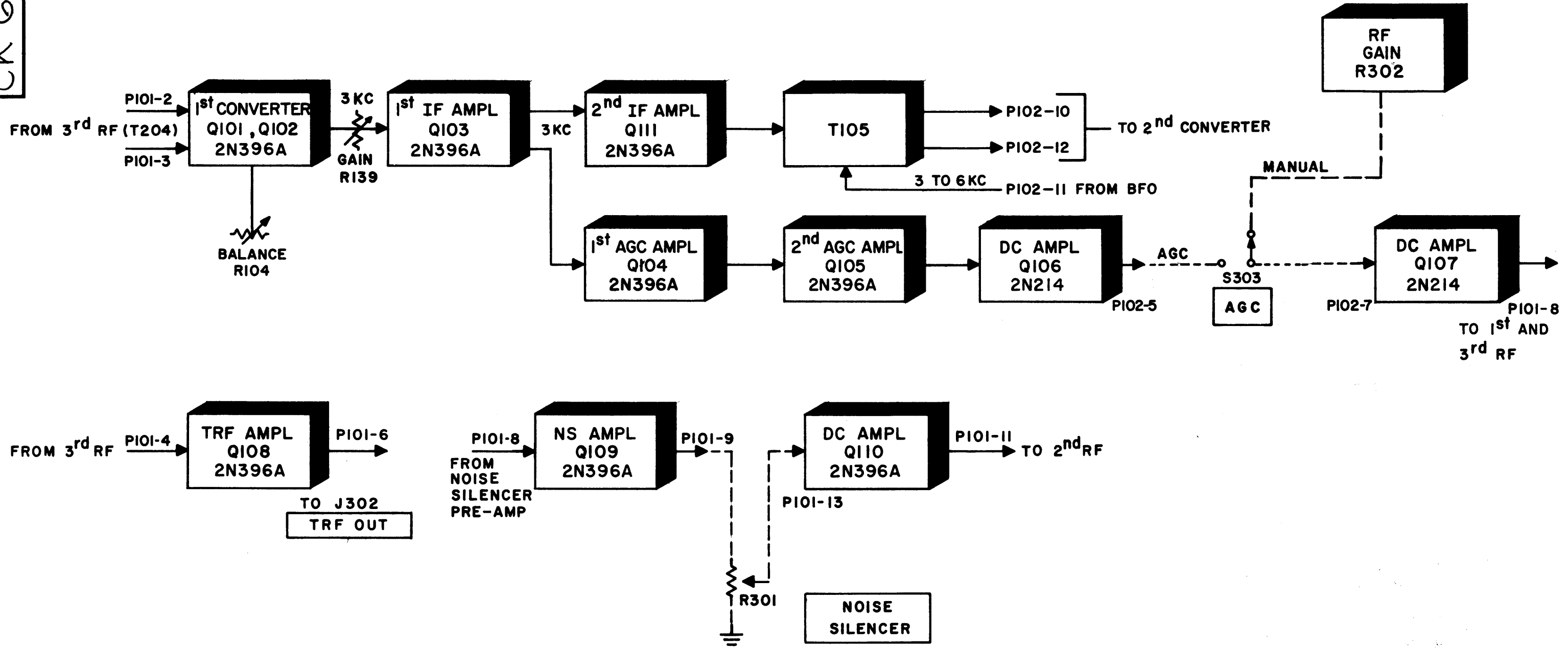


CK 671 A

THE CONTENT OF THIS DRAWING ARE THE EXCLUSIVE PROPERTY OF THE TECHNICAL MATERIEL CORP. ITS UNAUTHORIZED U E OR REPRODUCTION IN WHOLE OR IN PART IS STRICTLY FORBIDDEN.



NOTE:
1- 2N396A BETA TO BE 85-105
AS PER TX101-1

REF: CK 678

A	NOTE #1 ADDED	8-26-64	12096	NB	<i>[Signature]</i>	<i>[Signature]</i>
O	ORIGINAL RELEASE FOR PRODUCTION	5-11-64	0	A.M.	<i>[Signature]</i>	<i>[Signature]</i>
SYM	DESCRIPTION	DATE	CH. NO.	DRAFTS	CHECKER	ENG. APP.
UNLESS OTHERWISE SPECIFIED: DIMENSIONS ARE IN INCHES TOLERANCES ON FRACTIONS ± 1/64 DECIMALS ± .005 ANGLES ± 1/2		SCALE: _____		MAXIMUM ALLOWABLE TOLERANCES HAVE BEEN DETERMINED AND ANY DEVIATIONS WILL BE CAUSE FOR REJECTION. REMOVE ALL BURRS AND SHARP EDGES		

1	VLR-1		AX-425	6-17-63
REQ. PER UNIT	MODEL	SECTION	ASS'Y. NO.	DATE

REQ.	ITEM	PART NO.	M. GELLMAN	DESCRIPTION	SYMBOL
				THE TECHNICAL MATERIEL CORP. MAMARONECK, NEW YORK	
				DIAGRAM, BLOCK (IF MODULE)	
			<i>[Signature]</i>	<i>[Signature]</i>	<i>[Signature]</i>
				TYPE & TEMPER HEAT TREAT. SPEC.	
				DRAWN CHE KED	FINAL APPROVAL
				FINISH & SPEC. NO.	ELEC. DES. APP. MECH. DES. APP.
				CK 671	A