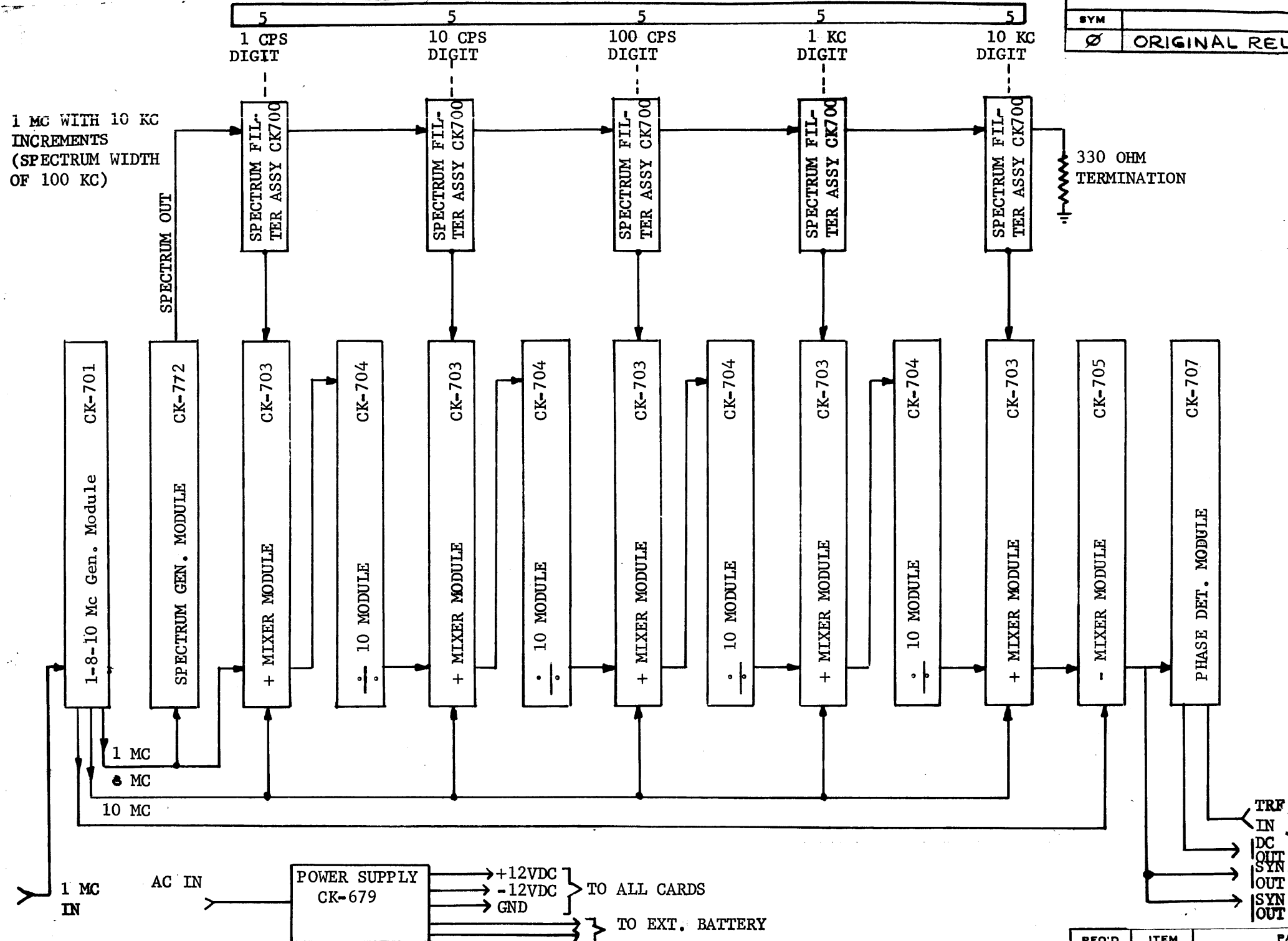


REVISIONS

SYM	DESCRIPTION	DATE	E.M.N. NO.	DRAFT	CHKD	APPD
Ø	ORIGINAL RELEASE FOR PRODUCTION	12.2.64	Ø	JB		



REQ'D.	ITEM	PART NUMBER	DESCRIPTION	SYMBOL
0. POSE LIST OF MATERIAL				
MATERIAL		THE TECHNICAL MATERIEL CORP. MAMARONECK, NEW YORK		
FINISH		TITLE BLOCK DIAGRAM, SIGNAL FLOW		
UNLESS OTHERWISE SPECIFIED DIMENSIONS ARE IN INCHES AND INCLUDE CHEMICALLY APPLIED OR PLATED FINISHES		DRAWN JB	DATE 12.2.64	FINAL APPROVAL
DECIMALS .X ± .05 .XX ± .01 .XXX ± .005		CHECKED @	DATE 12-2-64	DATE
TOLERANCES		ELECT. DES.	DATE	CK 783
FRACTIONS ± 1/64 ANGLES ± 0° 30'		MECH. DES.	DATE	
SHEET				REV. LTR. Ø

LFSA		
Q'TY./UNIT	MODEL USED ON	ASS'Y. NO.
SCALE	CODE	
1	A	

THE CONTENTS OF THIS DRAWING ARE THE EXCLUSIVE PROPERTY OF THE TECHNICAL MATERIEL CORP. ITS UNAUTHORIZED USE OR REPRODUCTION IN WHOLE OR IN PART IS STRICTLY FORBIDDEN.

NOTES