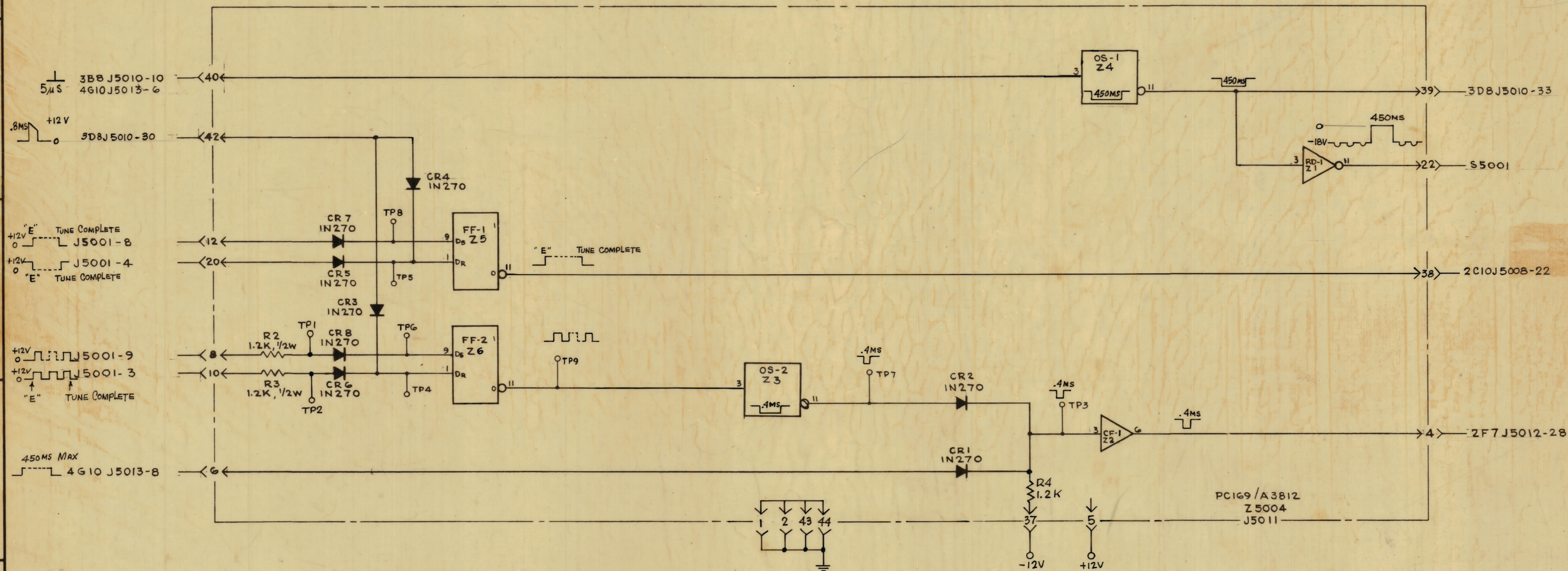


CARDS USED

PART NO.	DESCRIPTION	CON. NO.	LOCATION	B+ INPUT	B- INPUT	GROUND
PC127/A3694	INITIAL RESET CIRCUIT	J5007	SHEET 2	PIN 5	PIN 37	1,2,43,44
PC165/A3806	SERIAL TO PARALLEL CLOCK CIRCUIT	J5008	2	5	37	1,2,43,44
PC125/A3692	SERIAL TO PARALLEL SHIFT REGISTER	J5009	2	5	37	1,2,43,44
PC170/A3813-1	STUNTING CARD "J"	J5010	3	5	37	1,2,43,44
OR PC191/A3813-2	STUNTING CARD "S"	J5010				
PC169/A3812	ADVANCE, TUNE COMPLETE, BOY RELAY CKT.	J5011	1	5	37	1,2,43,44
PC175/A3823	ADVANCE PRIME TIMING CIRCUIT	J5012	2	5	37	1,2,43,44
PC171/A3820	MEMORY CORE INPUT SHIFT REGISTER	J5013	4	5	37	1,2,43,44
PC173/A3821	PRIME CIRCUIT CARD	J5014	3	5	37	1,2,43,44
PC176/A3824	ADVANCE 'O' & 'E' CIRCUIT	J5015	3	5	37	1,2,43,44
PC182/A3639	MEMORY CORE REGISTER	J5016	4	6	2	18
		J5017	4	6	2	18
		J5018	4	6	2	18
		J5019	4	6	2	18
PC182/A3639	MEMORY CORE REGISTER	J5020	4	6	2	18
PC158/A3800	DRIVE CIRCUIT FOR DECODER RELAYS	J5021	SHEET 4	5	37	1,2,43,44

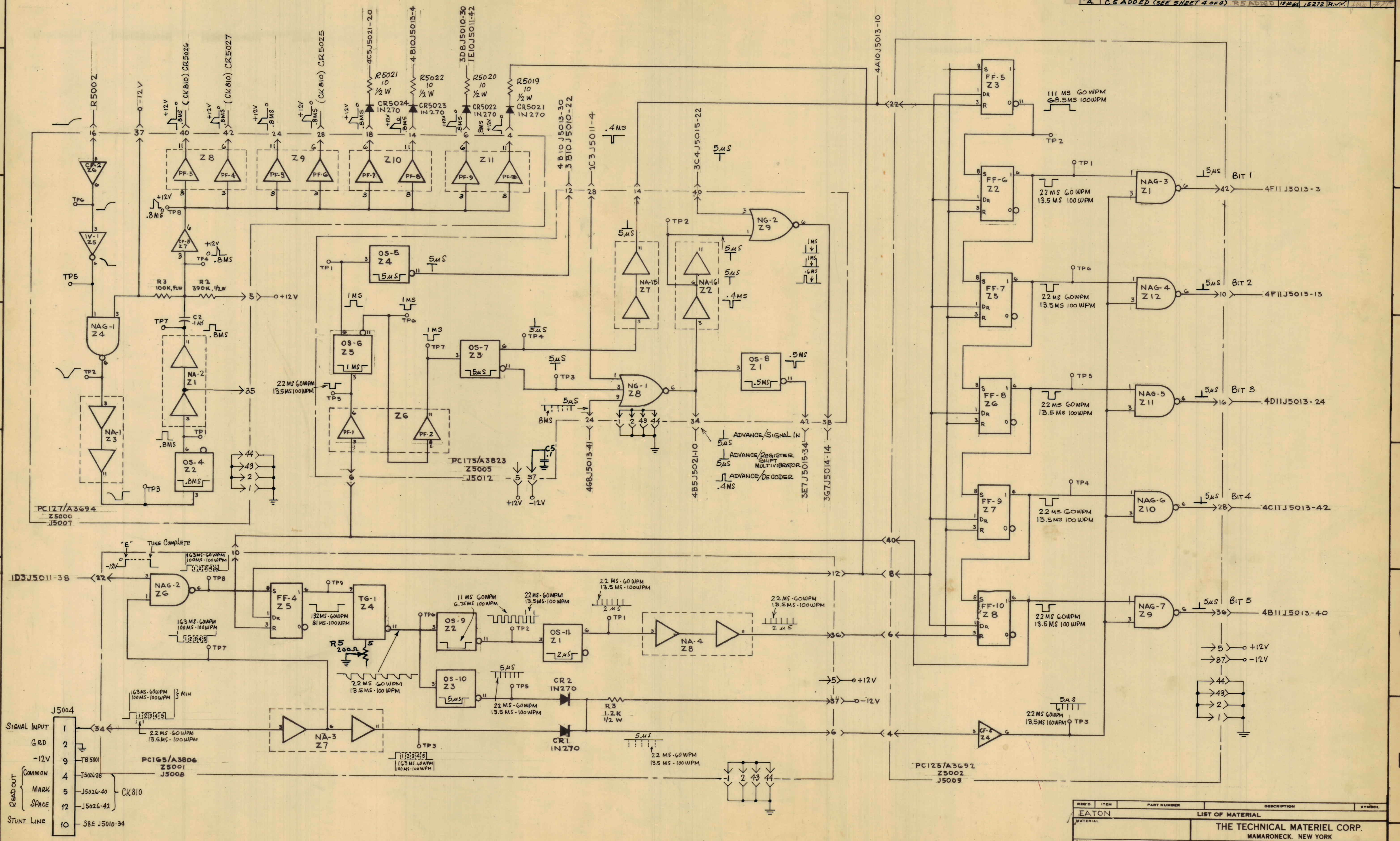
REVISIONS			
Ø	ORIGINAL RELEASE FOR PRODUCTION	5/8/65	NLA
A	SEE EXACTS 202* AND 4.05*	5/27/65	24-100



DWG DESTINATION
 4 G10 J5013-8
 SHEET NO. ZONE CONNECTOR NO. PIN NO.

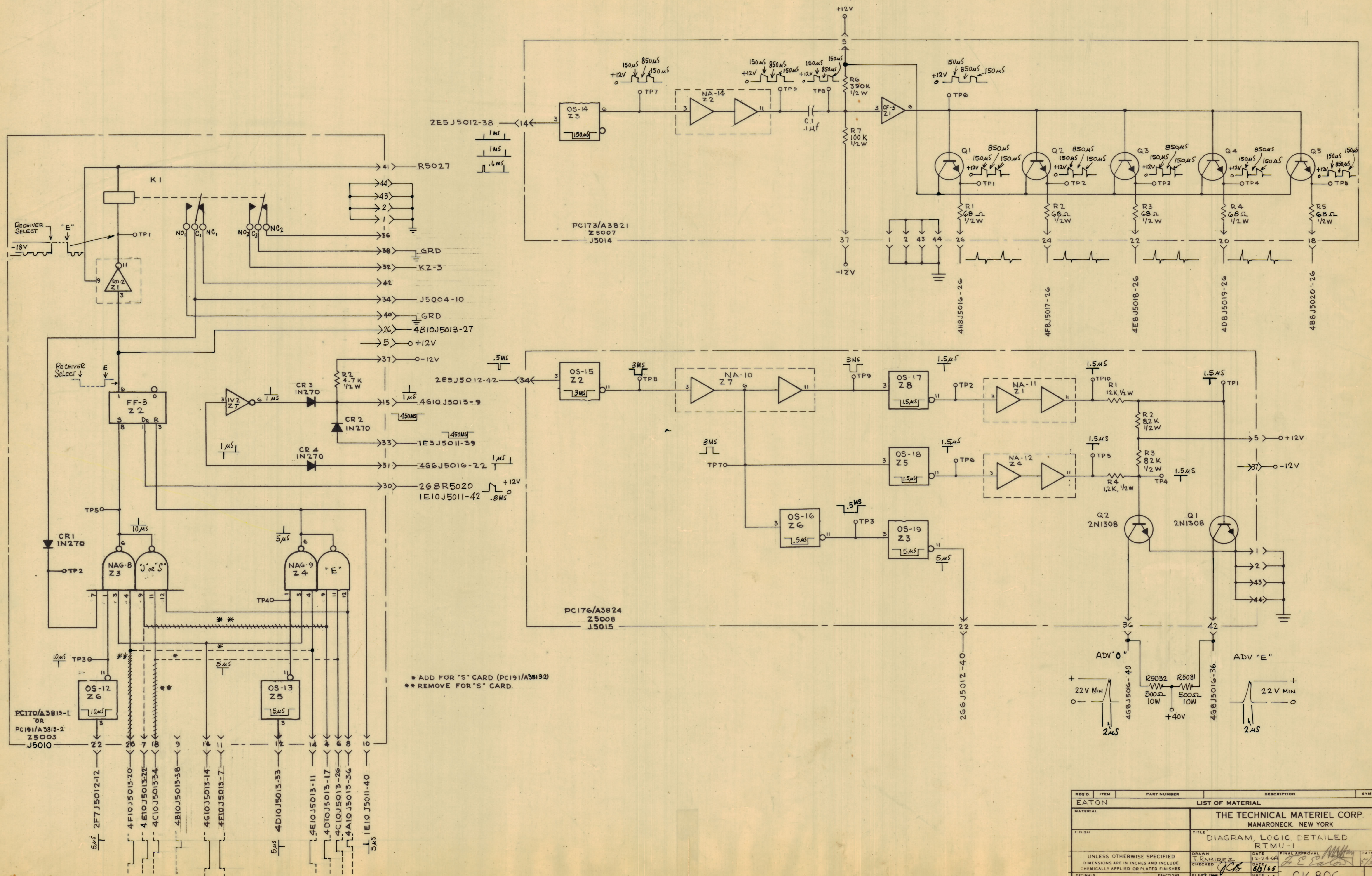
REQ'D	ITEM	PART NUMBER	DESCRIPTION	SYMBOL
EATON LIST OF MATERIAL				
MATERIAL THE TECHNICAL MATERIEL CORP. MAMARONECK, NEW YORK				
FINISH TITLE DIAGRAM, LOGIC, DETAILED RTMU-1				
UNLESS OTHERWISE SPECIFIED DIMENSIONS ARE IN INCHES AND INCLUDE CHEMICALLY APPLIED OR PLATED FINISHES				
DRAWN T. RAMIREZ	DATE 1/6/65	CHECKED J. J. ...	DATE 3/3/65	FINAL APPROVAL M. ...
DECIMALS 1 ± .05 XX ± .008	FRACTIONS ± 1/64 ANGLES ± 0° 30'	ELECT. DES. DATE 5/8/65	MECH. DES. DATE	REV. LTR. CK806 A
SHEET 1 OF 4				REV. LTR.

REVISIONS			
0	ORIGINAL RELEASE FOR PRODUCTION	5/3/65	MHLA
1	C.S. ADDED (SEE SHEET 4 OF 4)	12/2/65	15272 R.V.V.



REV'D	ITEM	PART NUMBER	DESCRIPTION	SYMBOL
EATON LIST OF MATERIAL				
THE TECHNICAL MATERIEL CORP. MAMARONECK, NEW YORK				
DIAGRAM, LOGIC, DETAILED				
UNLESS OTHERWISE SPECIFIED DIMENSIONS ARE IN INCHES AND INCLUDE CHEMICALLY APPLIED OR PLATED FINISHES		DRAWN T. E. M. R. E. Z. CHECKED DATE 6/3/65	FINAL APPROVAL DATE 5/3/65	DATE CK 806
TOLERANCES FRACTIONS ELECTRICAL MECH. DES.		SHEET 2 OF 4		

REVISIONS		DATE	BY	APP
0	ORIGINAL RELEASE FOR PRODUCTION	5/1/65	MM	NLA
1	SEE SHEET 20F4 AND 40F4	12/1/65	15272	DMV

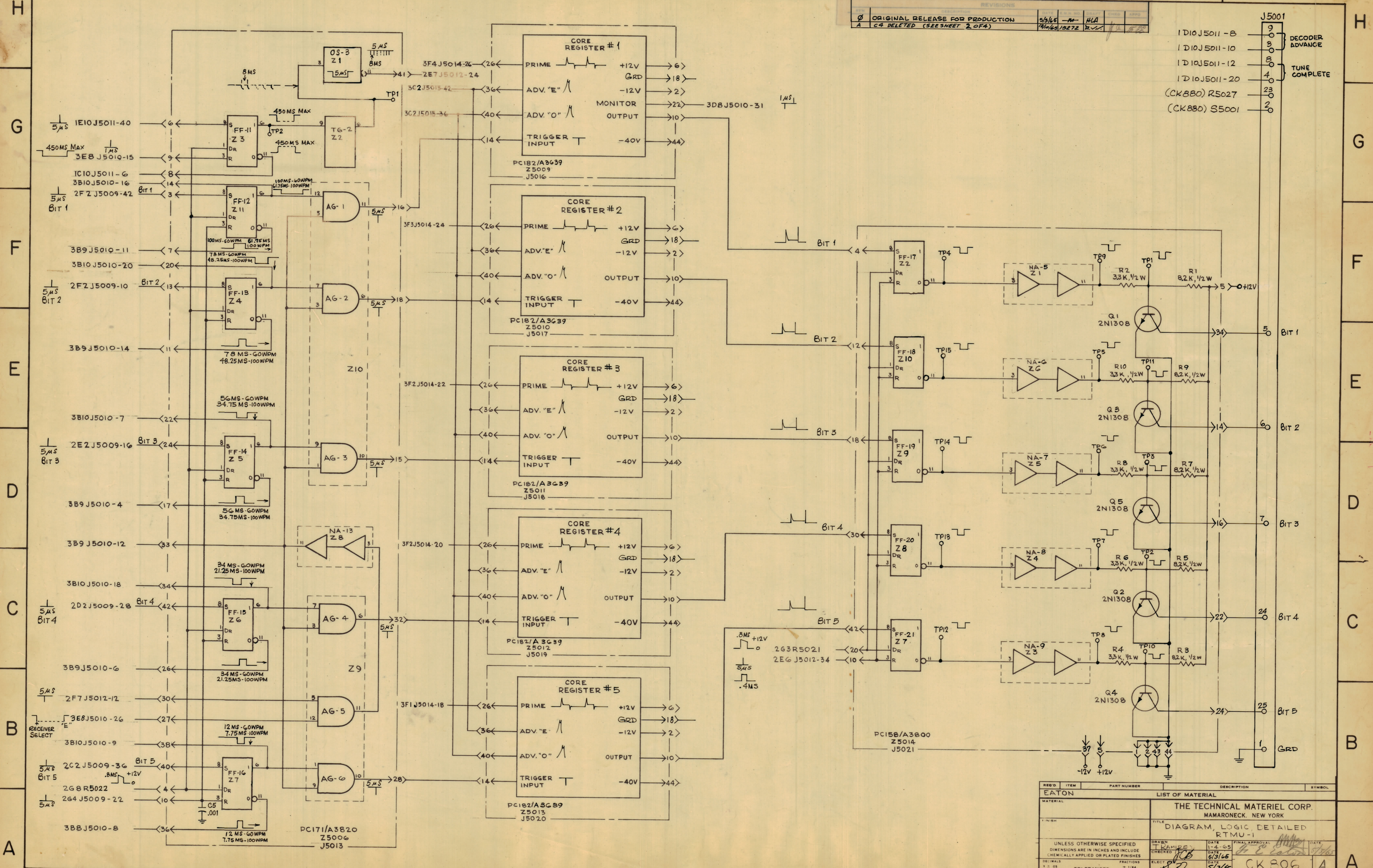


* ADD FOR "S" CARD (PC191/A38132)
 ** REMOVE FOR "S" CARD.

REQ'D.	ITEM	PART NUMBER	DESCRIPTION	SYMBOL
EATON LIST OF MATERIAL				
MATERIAL				
THE TECHNICAL MATERIEL CORP. MAMARONECK, NEW YORK				
TITLE DIAGRAM, LOGIC DETAILED RTMU-1				
UNLESS OTHERWISE SPECIFIED DIMENSIONS ARE IN INCHES AND INCLUDE CHEMICALLY APPLIED OR PLATED FINISHES		DATE 12-24-64	FINAL APPROVAL [Signature]	DATE [Signature]
DECIMALS	FRACTIONS	CHECKED [Signature]	DATE 5/1/65	CK 806
3 ± .05	1/16	ELK [Signature]	DATE 5/1/65	A
11 ± .01	ANGLES 2 ± .01	MECH DES	SHEET 3 OF 4	REV LTR

Ø	ORIGINAL RELEASE FOR PRODUCTION	5/9/66	-M-	HLA		
A	C4 DELETED (SEE SHEET 2 OF 4)	14/16/65/15272				

1D10J5011-8	9	DECODER ADVANCE
1D10J5011-10	3	
1D10J5011-12	8	
1D10J5011-20	4	
	23	TUNE COMPLETE
(CK880) R5027	23	
(CK880) S5001	20	



REQ'D.	ITEM	PART NUMBER	DESCRIPTION	SYMBOL
EATON LIST OF MATERIAL				
MATERIAL				
FINISH				
UNLESS OTHERWISE SPECIFIED DIMENSIONS ARE IN INCHES AND INCLUDE CHEMICALLY APPLIED OR PLATED FINISHES				
DECIMALS	1 = .05	FRACTIONS	1/4	
ANGLES	± 1/4	ELECT.	± 1/4	
TOLERANCES	± 1/4	MECH. DEE.	± 1/4	
DRAWN			DATE	
CHECKED			DATE	
ELECT.			DATE	
MECH. DEE.			DATE	
TITLE				DATE
THE TECHNICAL MATERIEL CORP.				
MAMARONECK, NEW YORK				
DIAGRAM, LOGIC, DETAILED				
RTMU-1				
FINAL APPROVAL				DATE
CK 806				5/3/66
SHEET 4 OF 4				REV. LTR