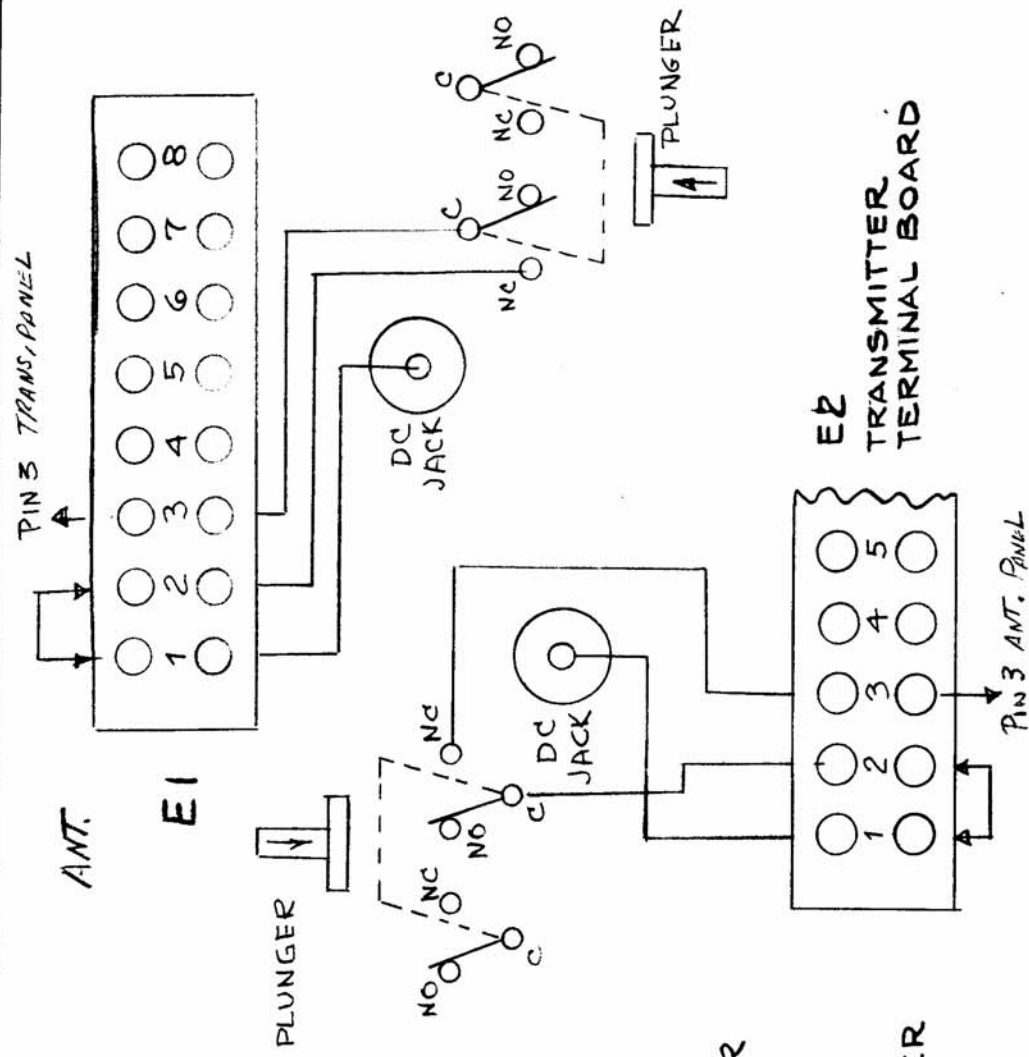
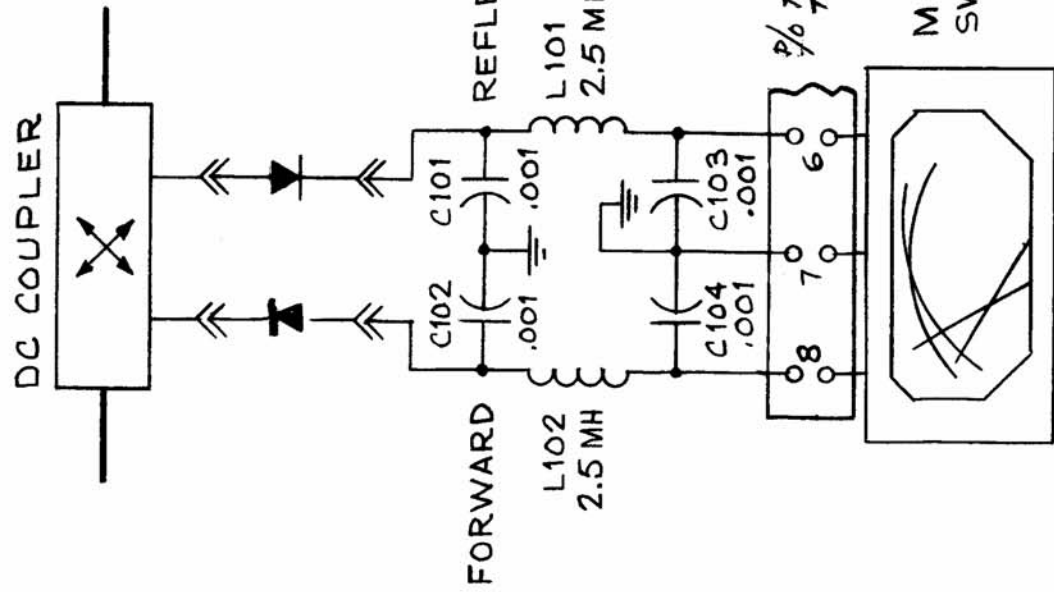


REQ. PER UNIT	MODEL	USED ON	DATE
	AX 514	CK 825	



REQ. ITEM	PART NO.	DESCRIPTION	SYMBOL
		THE TECHNICAL MATERIEL CORP. MAMARONECK, NEW YORK	
		WIRING DIAGRAM, AX 514	
		SWR-10K Meter PANEL	
		M. TANTILLO 9-9-64	
		DRAWN	CHECKED
		TYPE & TEMPER	HEAT TREAT. SPEC.
		FINISH & SPEC. NO.	ELEC. DES. APP. MECH. DES. APP.
		SCALE	FINAL APPROVAL
		DATE	
		CH. NO.	
		DRAFTS	
		CHECKER	
		ENG. APP.	
		DESCRIPTION	
		UNLESS OTHERWISE SPECIFIED DIMENSIONS ARE IN INCHES AND INCLUDE CHEMICALLY APPLIED OR PLATED FINISHES	
		TOLERANCES	
		FRACTIONS	
		DECIMALS	
		ANGLES	