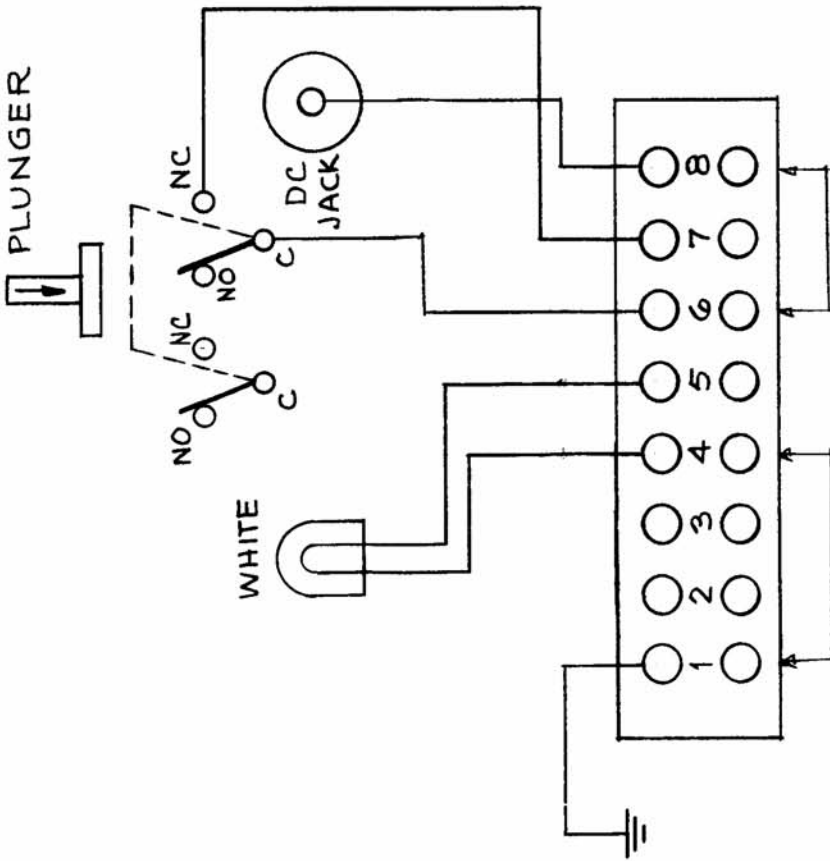


REQ. PER UNIT	USED ON	
	MODEL	DATE
	GDP-PA-106	
		CK 827



REQ. ITEM	PART NO.	DESCRIPTION	SYMBOL
		THE TECHNICAL MATERIEL CORP. MAMARONECK. NEW YORK	
		WIRING DIAGRAM	
		ANTENNA PANEL	
		M.TANTILLO 9-9-64	
		DRAWN	
		CHECKED	
		FINAL APPROVAL	
		ELEC. DES. APP. MECH. DES. APP.	
		FINISH & SPEC. NO.	
		TYPE & TEMPER. HEAT TREAT. SPEC.	
		MATERIAL	
		STOCK SIZE	
		DATE	
		CH. NO.	
		DRAFTS	
		CHECKER	
		ENG. APP.	
		SCALE	
		DESCRIPTION	
		ORIGINAL RELEASE FOR PRODUCTION	
		DATE	12-9-64
		CH. NO.	0
		DRAFTS	87
		CHECKER	
		ENG. APP.	
		UNLESS OTHERWISE SPECIFIED DIMENSIONS ARE IN INCHES AND INCLUDE CHEMICALLY APPLIED OR PLATED FINISHES	
		FRACTIONS	$\pm 1/64$
		ANGLES	$\pm 0^{\circ} 30'$
		TOLERANCES	
		DECIMALS	X $\pm .05$ XX $\pm .01$ XXX $\pm .005$
		CODE	
		FINISH & SPEC. NO.	
		ELEC. DES. APP. MECH. DES. APP.	
		CHECKED	
		DRAWN	
		FINAL APPROVAL	
		ELEC. DES. APP. MECH. DES. APP.	
		FINISH & SPEC. NO.	
		TYPE & TEMPER. HEAT TREAT. SPEC.	
		MATERIAL	
		STOCK SIZE	
		PART NO.	
		DESCRIPTION	
		SYMBOL	