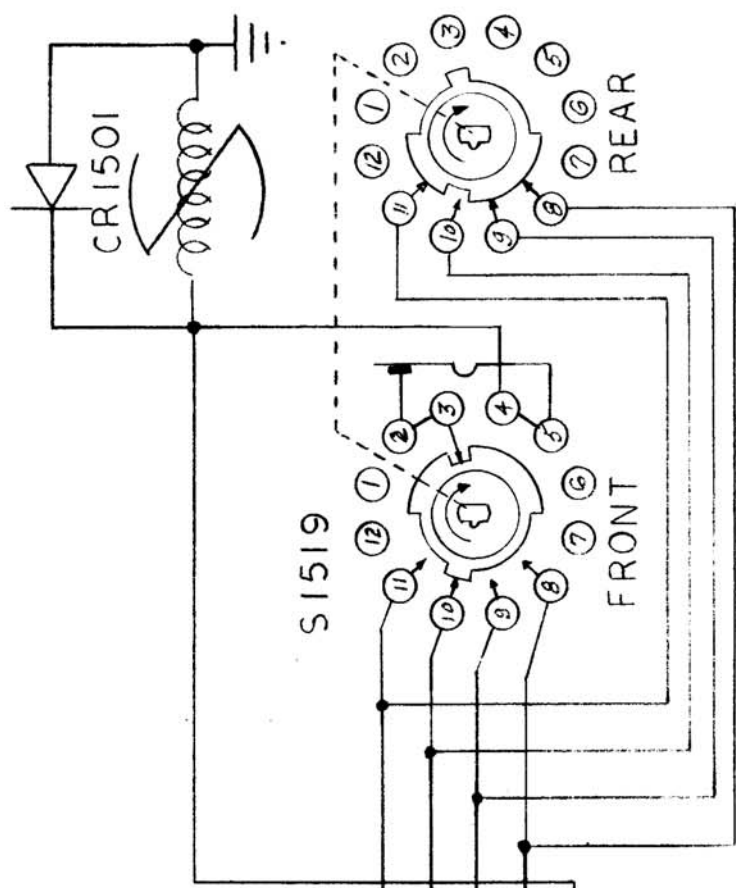


REQ. PER UNIT	1
MODEL	LSP-6X
ABBY. NO.	A4043
USED ON	CK 874
DATE	



J1534

A
B
C
D
E

REQ. ITEM	PART NO.	STURNER	DESCRIPTION	SYMBOL	
			THE TECHNICAL MATERIEL CORP. MAMARONECK. NEW YORK		
			SCHEMATIC DIAGRAM		
			A4043 SOL. ROT. SW.		
ISSUE ITEM	DATE	CH. NO.	DRAFTS	CHECKER	ENG. APP.
Ø	8-23-67	14	2		
TOLERANCES					
DEC. DIM. ±					
FRAC. DIM. ±					
ANGULAR DIM. ±					
SCALE:					
MAXIMUM ALLOWABLE TOLERANCES HAVE BEEN DETERMINED AND ANY DEVIATIONS WILL BE CAUSE FOR REJECTION.					
REMOVE ALL BURRS AND SHARP EDGES					
TYPE & TEMPER		HEAT TREAT. SPEC.		DRAWN	
				GDL	
FINISH & SPEC. NO.		ELEC. DES. APP.		MECH. DES. APP.	
				CK 874	
MATERIAL		CHECKED		FINAL APPROVAL	
				B. H. HAY 8/27/65	