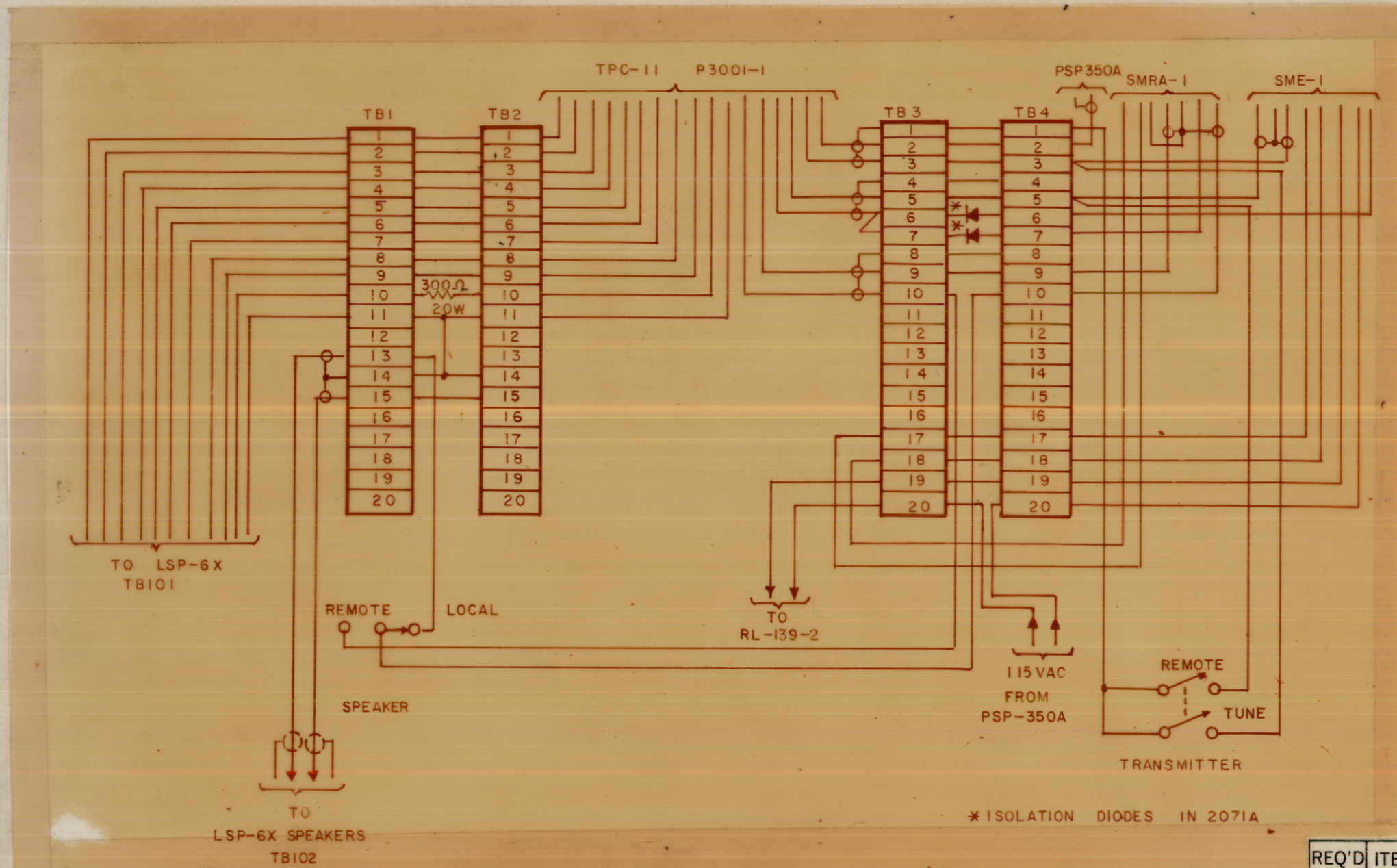


REVISIONS						
ZONE	LTR	DESCRIPTION	DATE	E.M.N.NO	DRAFT	CHKD APPD
	X ₃	COMPLETELY REVISED	3-6-67		RME	<i>[Signature]</i>
	Ø	ORIG. RELEASE FOR PROD.	5-22-67	Ø	RG	<i>[Signature]</i>



REQ'D	ITEM	PART NUMBER	DESCRIPTION	SYM.
-------	------	-------------	-------------	------

LIST OF MATERIAL

THE TECHNICAL MATERIEL CORP.
MAMARONECK, NEW YORK

DIAGRAM, SCHEMATIC,
INTERCONNECT

ECPA-1		
QTY / UNIT	MODEL USED ON	ASS'Y NO.
APPLICATION		
CODE		

NOTICE TO PERSONS RECEIVING THIS DRAWING
THE TECHNICAL MATERIEL CORPORATION claims proprietary right in the material disclosed hereon. This drawing is issued in confidence for engineering information only and may not be reproduced or used to manufacture anything shown hereon without permission from THE TECHNICAL MATERIEL CORPORATION to the user. This drawing is loaned for mutual assistance and is subject to recall at any time.

UNLESS OTHERWISE SPECIFIED
DIMENSIONS ARE IN INCHES
AND INCLUDE CHEMICALLY APPLIED
OR PLATED FINISHES

DECIMALS FRACTIONS
.X ± .05 1/64
.XX ± .01 TOLS. ANGLES
.XXX ± .005 0° .30'

MATERIAL

FINISH

FINAL APPROVAL	DATE
MECH. DES.	DATE
ELECT. DES.	DATE
CHECKED	DATE
DRAWN	DATE

SIZE	CODE IDENT. NO.	DWG NO.	ISSUE
B	82679	CK900	Ø
SCALE	SHEET		OF