

CK906

USED ON

REQ. PER UNIT  
MODEL  
RGCA-1

ASS'Y. NO.  
DATE

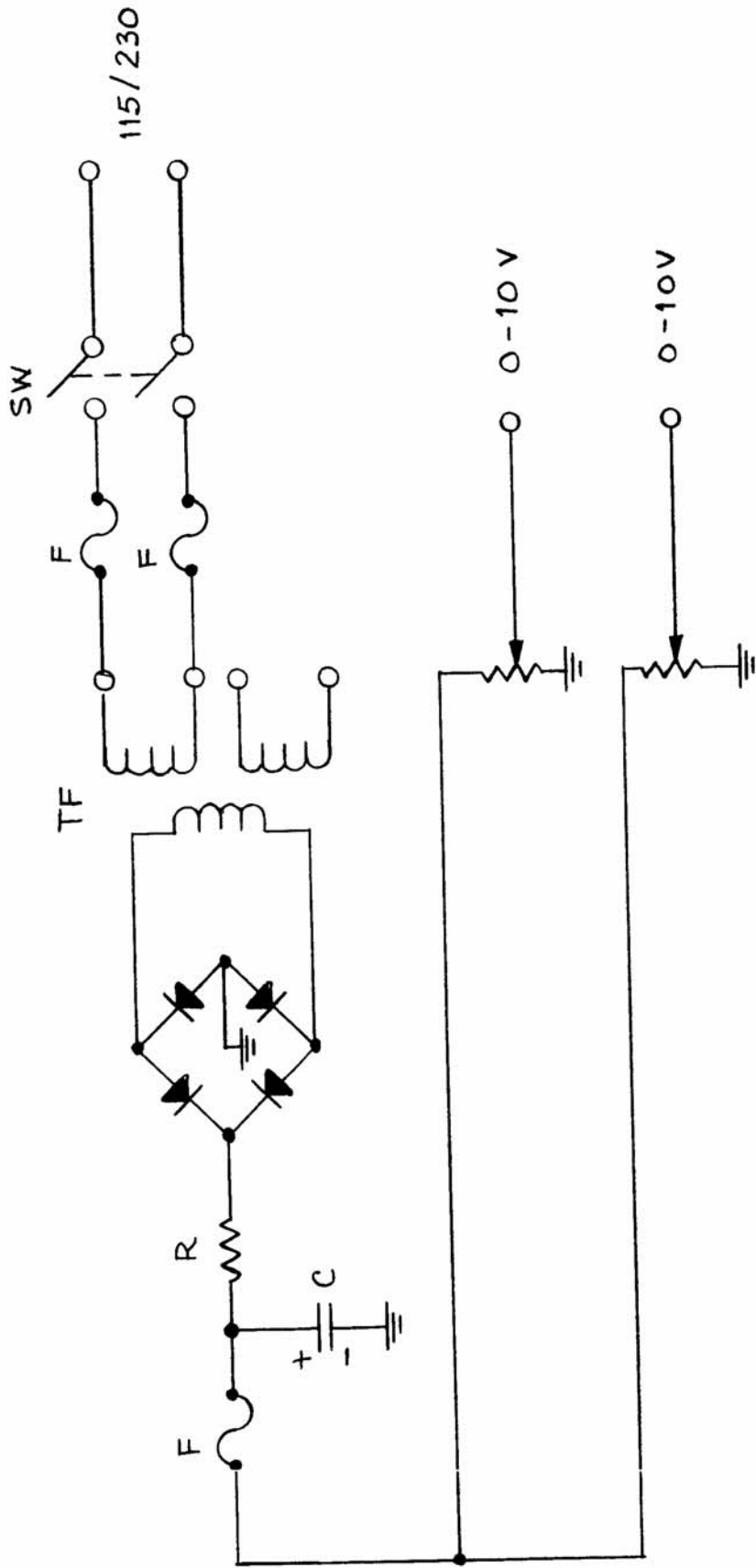


FIGURE 2

REQ. ITEM	PART NO.	DESCRIPTION	SYMBOL
		THE TECHNICAL MATERIEL CORP. MAMARONECK, NEW YORK	
		SCHEMATIC DIAGRAM	
		RGCA-1	
		MATERIAL	
		TYPE & TEMPER	
		HEAT TREAT. SPEC.	
		CHECKED	
		DRAWN	
		FINAL APPROVAL	
		M TANTILLO	
		11-25-64	
		ELEC. DES. APP.	
		MECH. DES. APP.	
		FINISH & SPEC. NO.	
		CK906	

ORIGINAL RELEASE  
DATE 11/65  
SCALE  
UNLESS OTHERWISE SPECIFIED  
DIMENSIONS ARE IN INCHES AND INCLUDE  
CHEMICALLY APPLIED OR PLATED FINISHES  
TOLERANCES  
DECIMALS  
X ± .05  
XX ± .01  
XXX ± .005  
FRACTIONS  
± 1/64  
ANGLES  
± 0° 30'