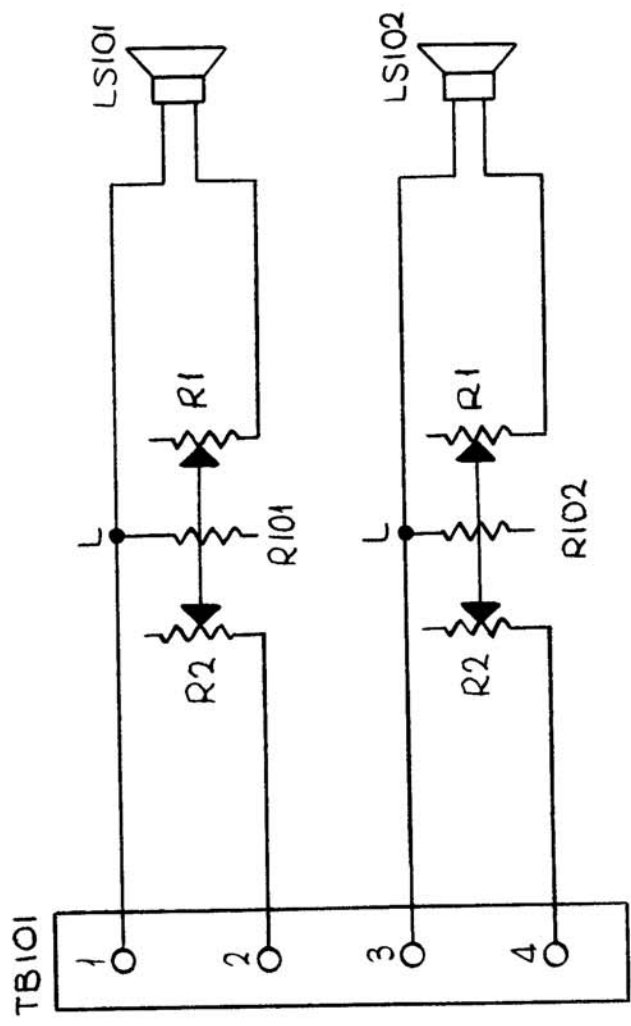


REQ. PER UNIT
1

USED ON
ASS'Y. NO.
LSP-15

MODEL
DATE
2-24-65

CK931 Ø



REQ. ITEM	PART NO.	HAY	DESCRIPTION	SYMBOL
			THE TECHNICAL MATERIEL CORP. MAMARONECK, NEW YORK	
			SCHEMATIC DIAGRAM	
			SRG	SRG
			DRAWN	FINAL APPROVAL
			TYPE & TEMPER	MECH. DES. APP.
			HEAT TREAT. SPEC.	MECH. DES. APP.
			FINISH & SPEC. NO.	MECH. DES. APP.
			SCALE	CK931 Ø
			DATE	
			2/24/65	
			2-24-65	
			CH. NO.	
			X	
			DRAFTS	
			SRG	
			SRG	
			CHECKER	
			ENG. APP.	
			DESCRIPTION	
			UNLESS OTHERWISE SPECIFIED	
			DIMENSIONS ARE IN INCHES AND INCLUDE	
			CHEMICALLY APPLIED OR PLATED FINISHES	
			TOLERANCES	
			DECIMALS	
			X ± .05	
			.XX ± .01	
			.XXX ± .005	
			FRACTIONS	
			± 1/64	
			ANGLES	
			± 0° 30'	