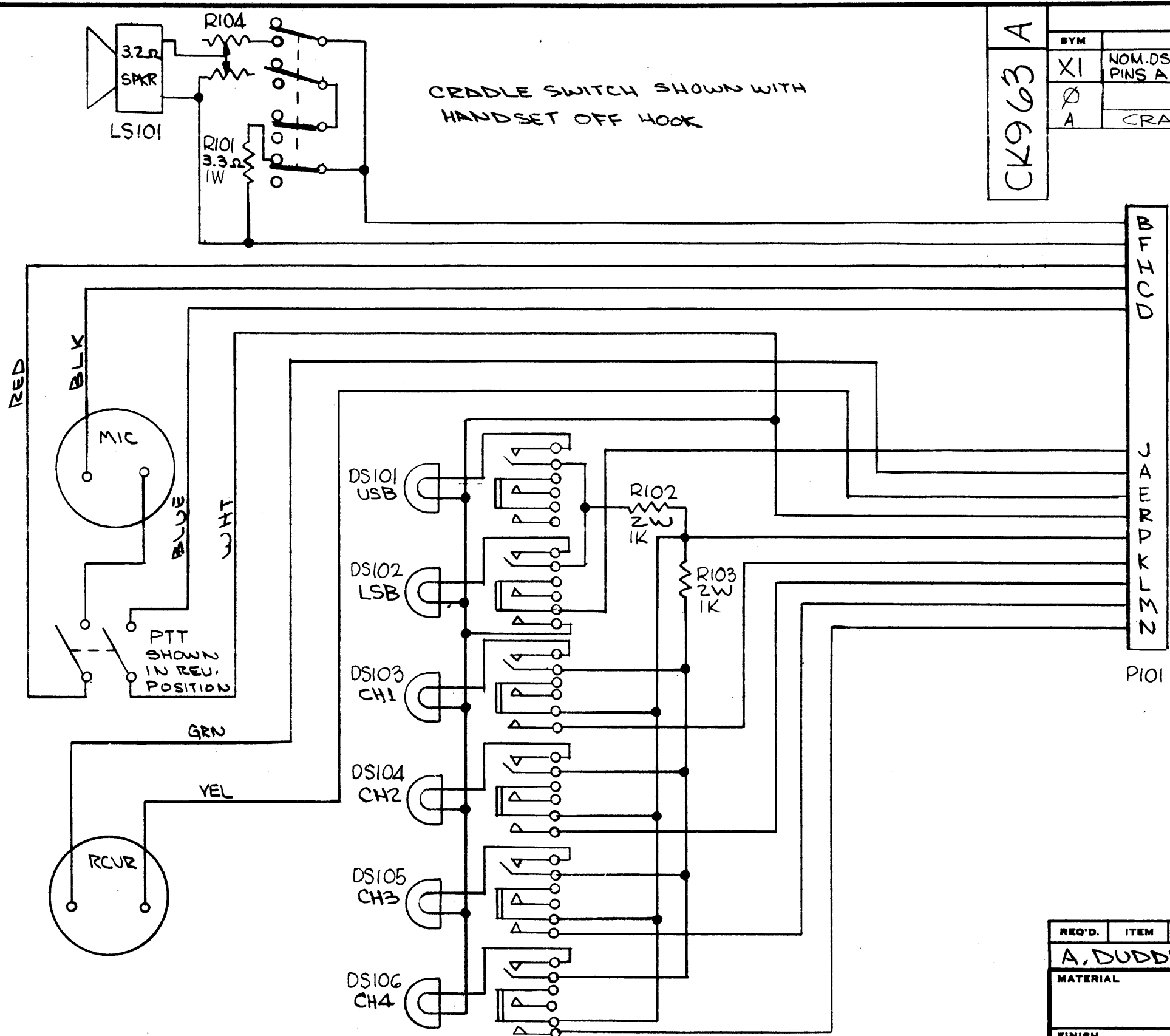


CK963 A

REVISIONS

SYM	DESCRIPTION	DATE	E.M.N. NO.	DRAFT	CHKD	APPD
X1	NOM. DS101-DS106, R101-R104, P101, LS101 ADDED. ON P101 PINS A & E REVERSED. ON R102, R103 1K WAS 300Ω.	1/10/66	-M	Je		
Ø	ORIGINAL RELEASE FOR PRODUCTION	4-3-67	Ø	CV		
A	CRADLE SWITCH CLARIFIED	5-12-67	18213	L.A.K.	<i>ML</i>	TRH

CRADLE SWITCH SHOWN WITH  
HANDSET OFF HOOK



PL212-1 TO JJ200-1  
ON CONTROL UNIT

NOTES

Q'TY./UNIT		MODEL USED ON		ASSY. NO.	
SCALE		CODE			

THE CONTENTS OF THIS DRAWING ARE THE EXCLUSIVE PROPERTY OF THE TECHNICAL MATERIEL CORP. ITS UNAUTHORIZED USE OR REPRODUCTION IN WHOLE OR IN PART IS STRICTLY FORBIDDEN.

REQ'D.	ITEM	PART NUMBER	DESCRIPTION	SYMBOL
A. DUDDLES LIST OF MATERIAL				
MATERIAL			THE TECHNICAL MATERIEL CORP. MAMARONECK, NEW YORK	
FINISH			TITLE SCHEMATIC, DIAGRAM TELEPHONE REMOTE CONTROL TPC-1	
UNLESS OTHERWISE SPECIFIED DIMENSIONS ARE IN INCHES AND INCLUDE CHEMICALLY APPLIED OR PLATED FINISHES			DRAWN <i>JEANZA</i> DATE 9-21-65 CHECKED <i>J.L.</i> DATE 9/28/65 ELECT. DES. DATE MECH. DES. DATE	FINAL APP. <i>[Signature]</i> DATE 4/3/67 CK963 SHEET REV. LTR. A
DECIMALS	TOLERANCES		FRACTIONS	
.X ± .05			± 1/64	
.XX ± .01			ANGLES	
.XXX ± .005			± 0 30'	